

Haier

Submittals

Arctic Multi Series

Rev. May 2020



Outdoor

**2U20EH2VHA
3U24EH2VHA
4U36EH2VHA**

Indoor

**AW07LC2VHB
AW09LC2VHB
AW12LC2VHB
AW18LC2VHB
AW24LP2VHA
AW07EH2VHA
AW09EH2VHA
AW12EH2VHA
AW18EH2VHA
AB09SC2VHA
AB12SC2VHA
AB18SC2VHA
AL24LP2VHA
AD07SL2VHB
AD09SL2VHB
AD12SL2VHB
AD18SL2VHB
AM24LP2VHA
USYM09UCDSA
USYM12UCDSA
USYM18UCDSA
USYM24UCDSA
USYF09UCDWA
USYF12UCDWA
USYF15UCDWA**



GE APPLIANCES
a Haier company

For more information visit us:
www.Haierductless.com
www.Haierductlesshelp.com



Revision History

Rev. March 2019 - *Submittal edition release.*

Rev. May 2019 - *Addition of rated heating performance note; Accessories & electrical requirement update.*

Rev. Aug. 2019 - *HSPF correction (2U20EH2VHA).*

Rev. Sept. 2019 - *3U24EH2VHA heating capacity data change.*

Rev. May 2020 - *Updated to include 4U36EH2VHA, AW24LP2VHA, AL24LP2VHA, AM24LP2VHA, USYM Series, USYF Series.*

Haier Arctic Multi Series Submittal

20000 BTU/HR INVERTER DRIVEN MULTI-ZONE HEAT PUMP SYSTEM

2U20EH2VHA

Job Name: _____

Purchaser: _____

Submitted To: _____

Construction: _____

Reference: _____

Approval: _____

Date: _____

Submitted By: _____

Unit: _____

Drawing #: _____



Accessories

Wind Baffle

Uses wind baffle UAWB46A

Snow Hood

Uses snow hood UAWB80A

Electrical Requirement

Power Supply	208/230V, 1 Phase, 60 HZ
Operating Voltage Range	187~253 VAC
Recommended Fuse/Breaker Size	25A
MCA	15A

Connecting cable to indoor units must be 14/4 AWG unshielded stranded copper. Cable must be ran continuous, without splicing.

Operating Range

Cooling	14~115°F (-10~46°C)
Heating	-15~75°F (-26~24°C)

Rated heating performance down to -15°F and continuous operation at -22°F

Cooling Performance

Cooling Capacity Range (Non-Ducted/Ducted)	7,000~20,000 BTU/ 7,000~19,000 BTU
Rated Power Input (Non-Ducted/Ducted)	1,448/1,481 W
SEER (Non-Ducted/Ducted)	17.0/15.0
EER (Non-Ducted/Ducted)	12.5/10.8

Heating Performance

Heating Capacity Range (Non-Ducted/Ducted)	8,000~23,000 BTU/ 8,000~21,000 BTU
HSPF (Non-Ducted/Ducted)	9.6/10.5

Pipe Length

Minimum Pipe Length (Each)	6 ft
Maximum Pipe Length (Each/All)	82 ft /164 ft
Maximum Pipe Height Difference	50 ft
Flare Connections	Liquid: 1/4", 1/4" Vapor: 3/8", 3/8"

Outdoor Unit

Compressor	DC inverter Driven Rotary
Uncrated Dimension (HxWxD)	33 x 37 1/4 x 13 1/2 in (840 x 948 x 340 mm)
Crated (HxWxD)	41 1/4 x 41 3/4 x 16 1/2 in (1050 x 1060 x 420 mm)
Outdoor Sound Rating dB	56
Heat Exchanger Fin Type	Blue Fin
Weight (Ship/Net)	202.3/185.6 lbs
Factory Refrigerant Charge	R-410A (99.0 oz)



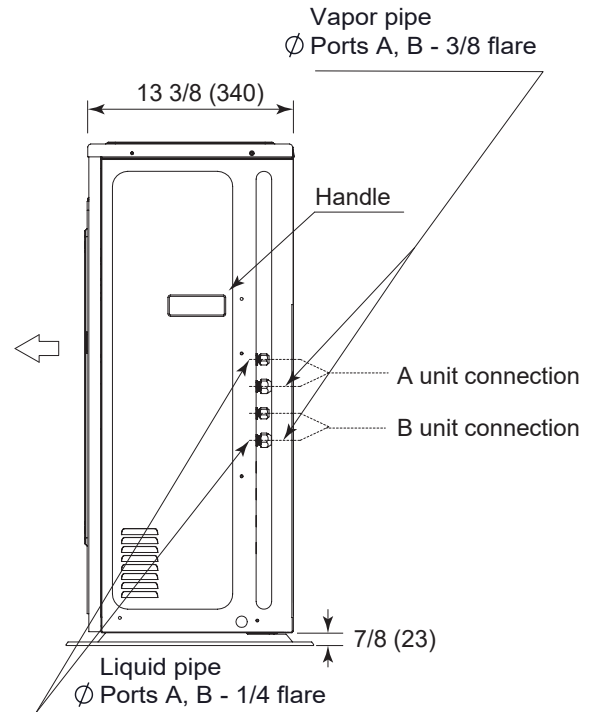
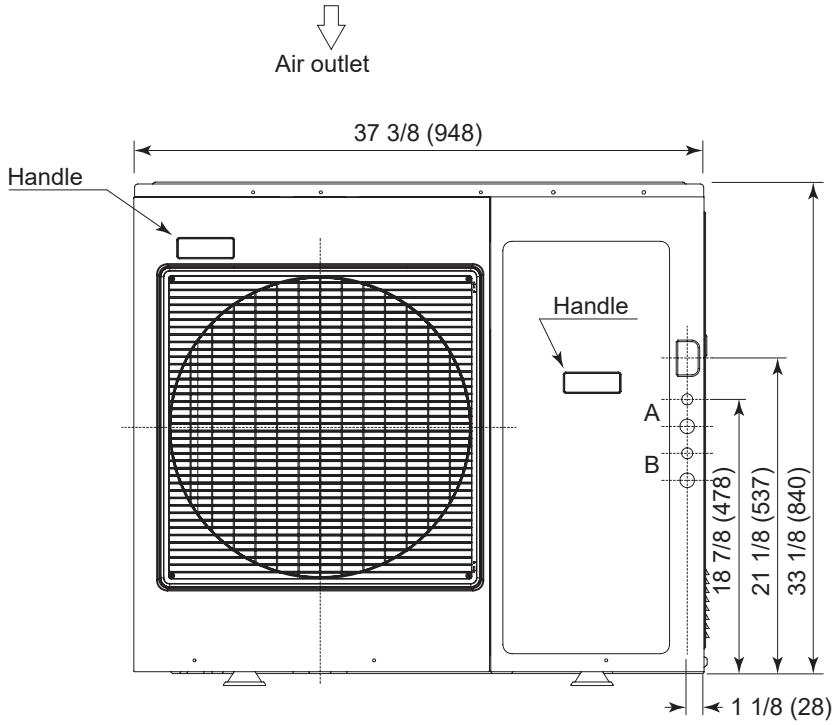
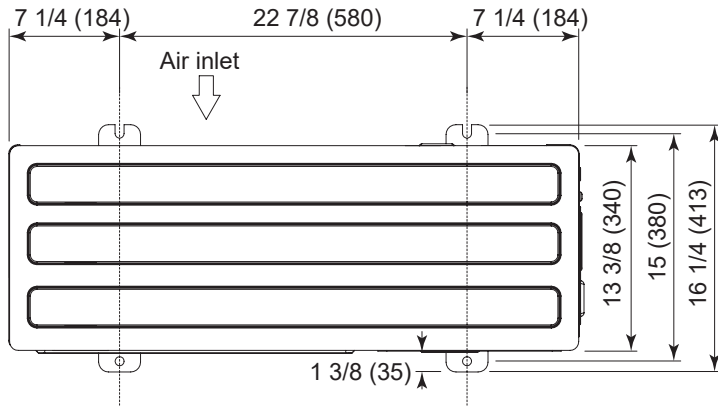
For more information visit us:
www.Haierductless.com
www.Haierductlesshelp.com



Haier Arctic Multi Series Submittal

20000 BTU/HR INVERTER DRIVEN MULTI-ZONE HEAT PUMP SYSTEM

2U20EH2VHA



Haier Arctic Multi Series Submittal

20000 BTU/HR INVERTER DRIVEN MULTI-ZONE HEAT PUMP SYSTEM

2U20EH2VHA

Heating Capacity Data - Non Ducted

Outdoor Air Temp DB	Indoor Set Temperature					
	60°F (16°C)		70°F (21°C)		77°F (25°C)	
	Maximum Heating Capacity (Btu/h)	Power Usage (w)	Max Heating Capacity (Btu/h)	Power Usage (w)	Max Heating Capacity (Btu/h)	Power Usage (w)
-15°F (-26°C)	19,320	2,920	17,250	3,190	16,200	3,330
-4°F (-20°C)	23,150	3,010	20,060	3,290	16,700	3,420
5°F (-15°C)	25,600	3,110	23,500	3,350	21,200	3,670
17°F (-8°C)	27,100	3,120	25,360	3,560	22,650	3,730
47°F (8°C)	29,470	3,350	27,890	3,780	25,170	4,030

Heating Capacity Data - Ducted

Outdoor Air Temp DB	Indoor Set Temperature					
	60°F (16°C)		70°F (21°C)		77°F (25°C)	
	Maximum Heating Capacity (Btu/h)	Power Usage (w)	Max Heating Capacity (Btu/h)	Power Usage (w)	Max Heating Capacity (Btu/h)	Power Usage (w)
-15°F (-26°C)	17,880	3,160	16,310	3,220	15,260	3,280
-4°F (-20°C)	19,930	3,260	18,690	3,310	15,830	3,320
5°F (-15°C)	21,850	3,320	21,000	3,380	19,210	3,710
17°F (-8°C)	25,310	3,560	24,340	3,610	21,030	3,760
47°F (8°C)	26,860	3,680	25,890	3,820	23,460	4,130

Cooling Capacity Data - Non Ducted

Outdoor Air Temp DB	Indoor Set Temperature					
	70°F (21°C)		75°F (24°C)		80°F (27°C)	
	Total Capacity (Btu/h)	Power Usage (w)	Total Capacity (Btu/h)	Power Usage (w)	Total Capacity (Btu/h)	Power Usage (w)
14°F (-10°C)	7,560	720	9,160	810	10,320	890
65°F (18°C)	17,840	980	19,560	1,040	20,520	1,070
75°F (24°C)	16,630	990	19,010	1,110	20,030	1,150
85°F (29°C)	15,260	1,020	18,690	1,230	19,670	1,290
95°F (35°C)	15,091	1,260	18,230	1,430	19,020	1,466
105°F (41°C)	14,860	1,390	16,510	1,490	17,830	1,590
115°F (46°C)	11,580	1,250	14,870	1,540	15,856	1,620

Cooling Capacity Data - Ducted

Outdoor Air Temp DB	Indoor Set Temperature					
	70°F (21°C)		75°F (24°C)		80°F (27°C)	
	Total Capacity (Btu/h)	Power Usage (w)	Total Capacity (Btu/h)	Power Usage (w)	Total Capacity (Btu/h)	Power Usage (w)
14°F (-10°C)	6,370	750	7,020	810	7,500	830
65°F (18°C)	16,210	1,350	19,120	1,550	20,130	1,580
75°F (24°C)	15,100	1,620	18,760	1,690	19,940	1,720
85°F (29°C)	14,950	1,660	17,800	1,780	19,150	1,810
95°F (35°C)	14,680	1,630	16,420	1,790	18,780	1,860
105°F (41°C)	13,360	1,730	15,690	1,870	17,490	2,040
115°F (46°C)	10,200	1,450	13,860	1,810	15,700	2,190

- Capacity output and power usage are measured approximately at 50% indoor RH.
 - Capacities are obtained at standard piping length of each outdoor model
- Specifications are subject to change without notice. © 2019 GE Appliances, a Haier Company All rights reserved

Haier Arctic Multi Series Submittal

24000 BTU/HR INVERTER DRIVEN MULTI-ZONE HEAT PUMP SYSTEM

3U24EH2VHA

Job Name: _____

Purchaser: _____

Submitted To: _____

Construction: _____

Reference: _____

Approval: _____

Date: _____

Submitted By: _____

Unit: _____

Drawing #: _____



Accessories

Wind Baffle

Uses wind baffle UAWB46A

Snow Hood

Uses snow hood UAWB80A

Electrical Requirement

Power Supply	208/230V, 1 Phase, 60 HZ
Operating Voltage Range	187~253 VAC
Recommended Fuse/Breaker Size	25A
MCA	16A

Connecting cable to indoor units must be 14/4 AWG unshielded stranded copper. Cable must be ran continuous, without splicing.

Operating Range

Cooling	14~115°F (-10~46°C)
Heating	-15~75°F (-26~24°C)

Rated heating performance down to -15°F and continuous operation at -22°F

Cooling Performance

Cooling Capacity Range (Non-Ducted/Ducted)	6,000~23,600 BTU/ 6,000~22,300 BTU
Rated Power Input (Non-Ducted/Ducted)	1,760/1,786 W
SEER (Non-Ducted/Ducted)	18.5/15
EER (Non-Ducted/Ducted)	12.5/11.2

Heating Performance

Heating Capacity Range (Non-Ducted/Ducted)	8,000~30,600 BTU/ 8,000~28,600 BTU
HSPF (Non-Ducted/Ducted)	10.5/9.3

Pipe Length

Minimum Pipe Length (Each)	6 ft
Maximum Pipe Length (Each/All)	82 ft / 196 ft
Maximum Pipe Height Difference	50 ft
Flare Connections	Liquid: 1/4", 1/4", 1/4" Vapor: 3/8", 3/8", 1/2"

Outdoor Unit

Compressor	DC inverter Driven Rotary
Uncrated Dimension (HxWxD)	33 x 37 1/4 x 13 1/2 in (840 x 948 x 340 mm)
Crated (HxWxD)	41 1/4 x 41 3/4 x 16 1/2 in (1050 x 1060 x 420 mm)
Outdoor Sound Rating dB	56
Heat Exchanger Fin Type	Blue Fin
Weight (Ship/Net)	205.9/189.5 lbs
Factory Refrigerant Charge	R-410A (99.0 oz)

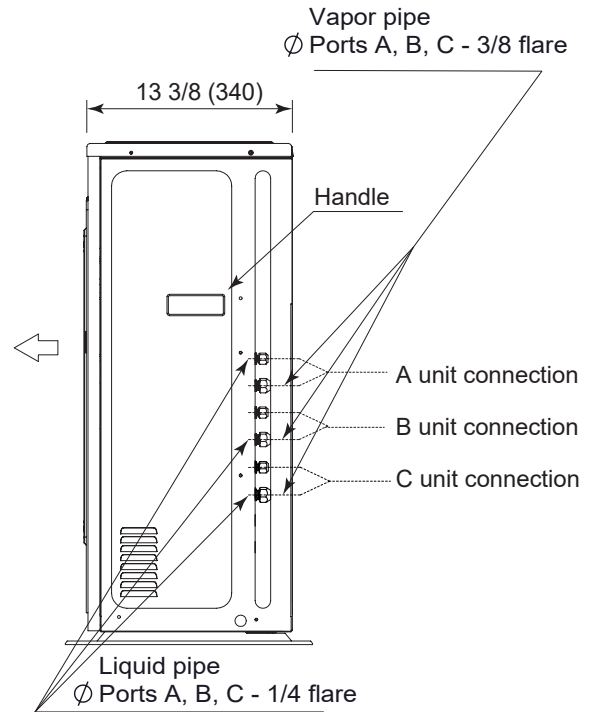
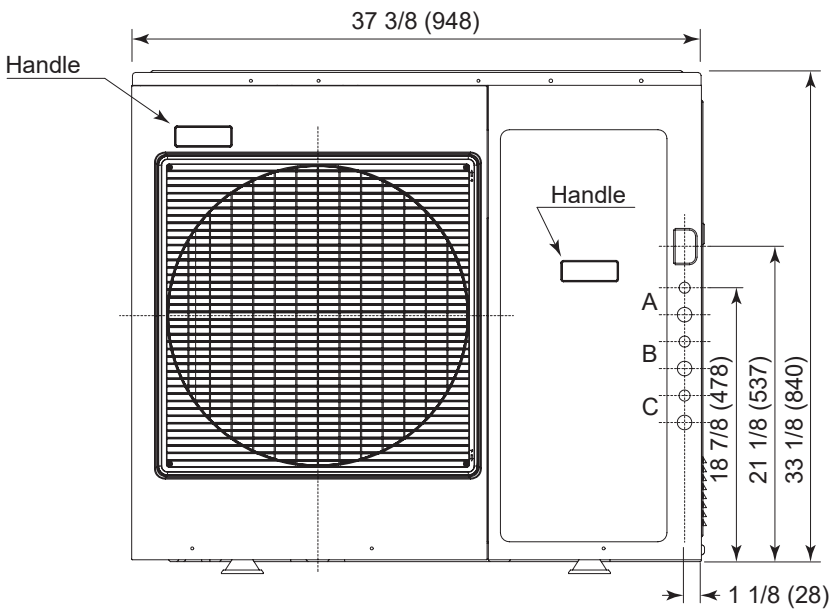
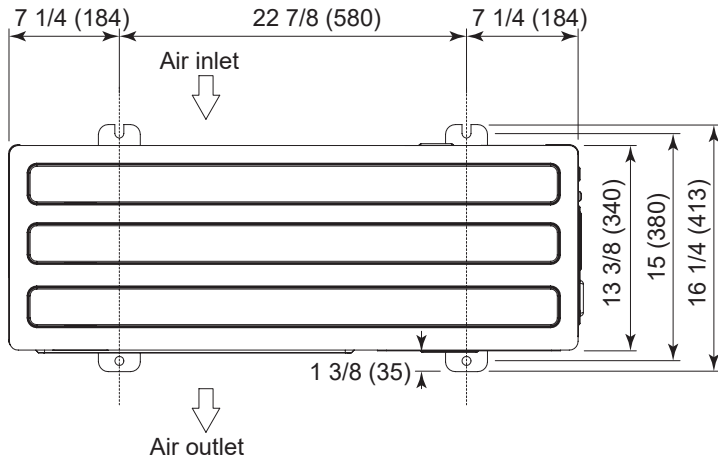


For more information visit us:
www.Haierductless.com
www.Haierductlesshelp.com



24000 BTU/HR INVERTER DRIVEN MULTI-ZONE HEAT PUMP SYSTEM

3U24EH2VHA



24000 BTU/HR INVERTER DRIVEN MULTI-ZONE HEAT PUMP SYSTEM

3U24EH2VHA

Heating Capacity Data - Non Ducted

Outdoor Air Temp DB	Indoor Set Temperature					
	60°F (16°C)		70°F (21°C)		77°F (25°C)	
	Maximum Heating Capacity (Btu/h)	Power Usage (w)	Max Heating Capacity (Btu/h)	Power Usage (w)	Max Heating Capacity (Btu/h)	Power Usage (w)
-15°F (-26°C)	18,120	2,960	18,000	3,090	16,580	3,220
-4°F (-20°C)	19,930	3,060	19,430	3,250	17,330	3,360
5°F (-15°C)	24,860	3,290	24,120	3,510	21,870	3,620
17°F (-8°C)	28,210	3,390	27,220	3,810	25,500	3,920
47°F (8°C)	31,230	3,720	29,600	4,030	27,850	4,120

Heating Capacity Data - Ducted

Outdoor Air Temp DB	Indoor Set Temperature					
	60°F (16°C)		70°F (21°C)		77°F (25°C)	
	Maximum Heating Capacity (Btu/h)	Power Usage (w)	Max Heating Capacity (Btu/h)	Power Usage (w)	Max Heating Capacity (Btu/h)	Power Usage (w)
-15°F (-26°C)	18,000	3,480	17,100	3,360	16,100	3,530
-4°F (-20°C)	19,820	3,510	19,200	3,560	17,200	3,610
5°F (-15°C)	22,860	3,440	23,240	3,540	21,160	3,730
17°F (-8°C)	27,140	3,470	26,410	3,620	24,170	3,810
47°F (8°C)	29,130	3,550	28,820	3,780	27,660	3,920

Cooling Capacity Data - Non Ducted

Outdoor Air Temp DB	Indoor Set Temperature					
	70°F (21°C)		75°F (24°C)		80°F (27°C)	
	Total Capacity (Btu/h)	Power Usage (w)	Total Capacity (Btu/h)	Power Usage (w)	Total Capacity (Btu/h)	Power Usage (w)
14°F (-10°C)	13,210	1,080	14,010	1,120	15,330	1,190
65°F (18°C)	24,860	1,560	25,940	1,610	27,480	1,690
75°F (24°C)	23,560	1,680	24,860	1,710	26,190	1,780
85°F (29°C)	23,350	1,710	24,560	1,790	25,430	1,840
95°F (35°C)	22,860	1,860	23,360	1,880	24,320	1,910
105°F (41°C)	21,320	2,060	22,720	2,160	23,560	2,190
115°F (46°C)	16,960	2,120	18,160	2,190	18,680	2,230

Cooling Capacity Data - Ducted

Outdoor Air Temp DB	Indoor Set Temperature					
	70°F (21°C)		75°F (24°C)		80°F (27°C)	
	Total Capacity (Btu/h)	Power Usage (w)	Total Capacity (Btu/h)	Power Usage (w)	Total Capacity (Btu/h)	Power Usage (w)
14°F (-10°C)	12,320	1,150	13,120	1,180	14,680	1,220
65°F (18°C)	24,300	1,610	25,010	1,650	26,560	1,720
75°F (24°C)	23,130	1,710	24,140	1,760	25,310	1,830
85°F (29°C)	23,310	1,880	24,110	1,920	24,900	1,960
95°F (35°C)	22,360	1,990	23,060	2,050	24,130	2,070
105°F (41°C)	21,230	2,220	22,170	2,280	22,690	2,310
115°F (46°C)	16,830	2,230	17,850	2,320	18,560	2,400

- Capacity output and power usage are measured approximately at 50% indoor RH.
 - Capacities are obtained at standard piping length of each outdoor model
- Specifications are subject to change without notice. © 2019 GE Appliances, a Haier Company All rights reserved

Haier Arctic Multi Series Submittal

36000 BTU/HR INVERTER DRIVEN MULTI-ZONE HEAT PUMP SYSTEM

4U36EH2VHA

Job Name: _____

Purchaser: _____

Submitted To: _____

Construction: _____

Reference: _____

Approval: _____

Date: _____

Submitted By: _____

Unit: _____

Drawing #: _____



Accessories

Wind Baffle

Uses wind baffle UAWB46A

Snow Hood

Uses snow hood UAWB80A

Cooling Performance	
Cooling Capacity Range (Non-Ducted/Ducted)	5,000~34,000 BTU/ 5,000~34,400 BTU
Rated Power Input (Non-Ducted/Ducted)	2,720/3,440 W
SEER (Non-Ducted/Ducted)	20.0/17
EER (Non-Ducted/Ducted)	12.5/10.0

Heating Performance	
Heating Capacity Range (Non-Ducted/Ducted)	6,100~36,000 BTU/ 6,100~35,000 BTU
HSPF (Non-Ducted/Ducted)	10.5/10.5

Pipe Length	
Minimum Pipe Length (Each)	6 ft
Maximum Pipe Length (Each/All)	82 ft /230 ft
Maximum Pipe Height Difference	50 ft
Flare Connections	Liquid: 1/4", 1/4", 1/4", 1/4" Vapor: 3/8", 3/8", 3/8", 1/2"

Outdoor Unit	
Compressor	DC inverter Driven Rotary
Uncrated Dimension (HxWxD)	33 1/8 x 37 3/8 x 13 3/8 in (840 x 948 x 340 mm)
Crated (HxWxD)	37 3/8 x 37 1/2 x 15 3/8 in (956 x 951 x 390 mm)
Outdoor Sound Rating dB	59
Heat Exchanger Fin Type	Blue Fin
Weight (Ship/Net)	215/198.4 lbs
Factory Refrigerant Charge	R-410A (113 oz)

Electrical Requirement	
Power Supply	208/230V, 1 Phase, 60 HZ
Operating Voltage Range	187~253 VAC
Recommended Fuse/Breaker Size	40A
MCA	30A

Connecting cable to indoor units must be 14/4 AWG unshielded stranded copper. Cable must be ran continuous, without splicing.

Operating Range	
Cooling	23~115°F (-5~46°C)
Heating	-15~77°F (-26~25°C)

Rated heating performance down to -15°F and continuous operation at -22°F



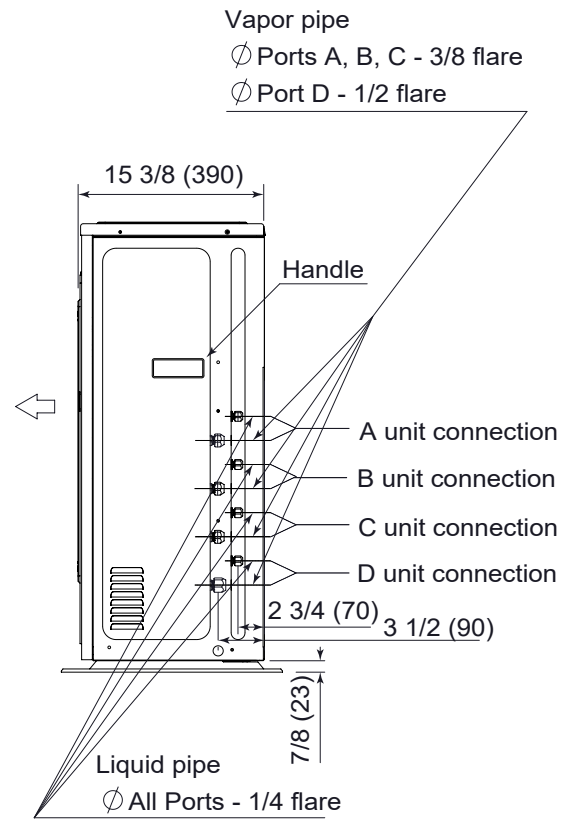
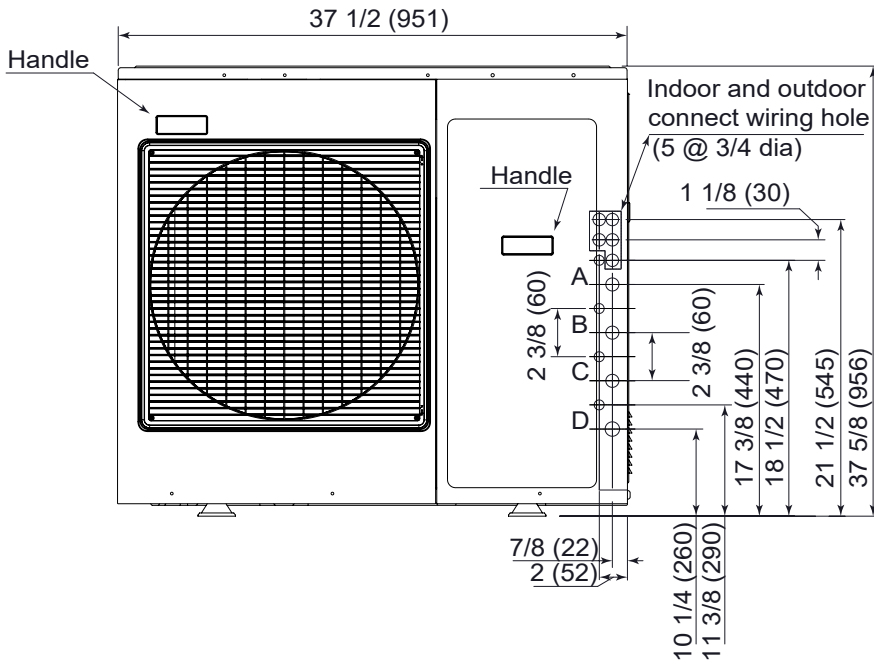
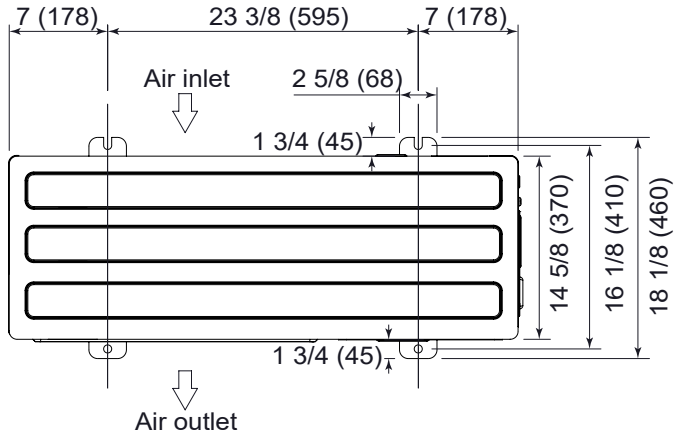
For more information visit us:
www.Haierductless.com
www.Haierductlesshelp.com



Haier Arctic Multi Series Submittal

36000 BTU/HR INVERTER DRIVEN MULTI-ZONE HEAT PUMP SYSTEM

4U36EH2VHA



Haier Arctic Multi Series Submittal

36000 BTU/HR INVERTER DRIVEN MULTI-ZONE HEAT PUMP SYSTEM

4U36EH2VHA

Heating Capacity Data - Non Ducted

Outdoor Air Temp DB	Indoor Set Temperature					
	60°F (16°C)		70°F (21°C)		77°F (25°C)	
	Maximum Heating Capacity (Btu/h)	Power Usage (w)	Max Heating Capacity (Btu/h)	Power Usage (w)	Max Heating Capacity (Btu/h)	Power Usage (w)
-15°F (-26°C)	25,900	4,960	25,700	5,010	25,000	5,020
-4°F (-20°C)	30,100	4,970	29,800	5,040	28,200	5,060
5°F (-15°C)	36,200	4,980	36,000	5,270	35,100	5,300
17°F (-8°C)	38,500	3,940	37,000	3,950	36,500	4,200
47°F (8°C)	38,900	3,100	38,000	3,190	37,800	3,200

Heating Capacity Data - Ducted

Outdoor Air Temp DB	Indoor Set Temperature					
	60°F (16°C)		70°F (21°C)		77°F (25°C)	
	Maximum Heating Capacity (Btu/h)	Power Usage (w)	Max Heating Capacity (Btu/h)	Power Usage (w)	Max Heating Capacity (Btu/h)	Power Usage (w)
-15°F (-26°C)	25,500	5,100	25,000	5,200	24,500	5,430
-4°F (-20°C)	29,700	5,200	29,000	5,400	28,100	5,490
5°F (-15°C)	35,800	5,300	35,000	5,480	34,600	5,560
17°F (-8°C)	36,600	4,010	36,000	4,030	35,700	4,760
47°F (8°C)	36,300	3,310	37,000	3,180	35,900	3,760

Cooling Capacity Data - Non Ducted

Outdoor Air Temp DB	Indoor Set Temperature					
	70°F (21°C)		75°F (24°C)		80°F (27°C)	
	Total Capacity (Btu/h)	Power Usage (w)	Total Capacity (Btu/h)	Power Usage (w)	Total Capacity (Btu/h)	Power Usage (w)
14°F (-10°C)	23,300	1,900	24,070	1,920	25,330	1,960
65°F (18°C)	34,780	2,180	35,980	2,230	37,340	2,290
75°F (24°C)	33,560	2,390	34,870	2,410	36,120	2,450
85°F (29°C)	33,380	2,440	34,650	2,520	35,300	2,550
95°F (35°C)	35,500	2,950	35,600	2,970	35,700	2,980
105°F (41°C)	31,210	3,010	32,600	3,020	33,650	3,120
115°F (46°C)	26,980	3,370	28,230	3,400	29,700	3,500

Cooling Capacity Data - Ducted

Outdoor Air Temp DB	Indoor Set Temperature					
	70°F (21°C)		75°F (24°C)		80°F (27°C)	
	Total Capacity (Btu/h)	Power Usage (w)	Total Capacity (Btu/h)	Power Usage (w)	Total Capacity (Btu/h)	Power Usage (w)
14°F (-10°C)	23,500	2,320	24,980	2,320	25,440	2,360
65°F (18°C)	35,980	2,460	36,200	2,630	37,420	2,690
75°F (24°C)	33,960	2,790	34,980	2,830	36,200	2,950
85°F (29°C)	33,780	2,850	34,780	2,930	35,400	2,950
95°F (35°C)	35,900	3,320	35,700	3,340	34,200	3,420
105°F (41°C)	31,600	3,420	32,800	3,430	33,700	3,520
115°F (46°C)	27,420	3,770	28,920	3,820	29,900	3,900

- Capacity output and power usage are measured approximately at 50% indoor RH.
 - Capacities are obtained at standard piping length of each outdoor model
- Specifications are subject to change without notice. © 2019 GE Appliances, a Haier Company All rights reserved

Haier Arctic Multi Series Submittal

7000 BTU/HR WALL MOUNTED INVERTER DRIVEN HEAT PUMP SYSTEM(INDOOR for multi-zone) AW07LC2VHB

Job Name: _____
 Purchaser: _____
 Submitted To: _____
 Construction: _____
 Reference: _____

Approval: _____
 Date: _____
 Submitted By: _____
 Unit: _____
 Drawing #: _____



Electrical Requirement

Power Supply	208/230V, 1 Phase, 60 HZ
Operating Voltage Range	187~253 VAC

Performance

Rated Cooling Capacity	7,000 BTU
Rated Heating Capacity	8,000 BTU

Piping

Flare Connections	Liquid: 1/4" Vapor: 3/8"
-------------------	-----------------------------

Accessories

Remote Controller

Ships with WJ01X24721 (YR-HG)

Wired Controller

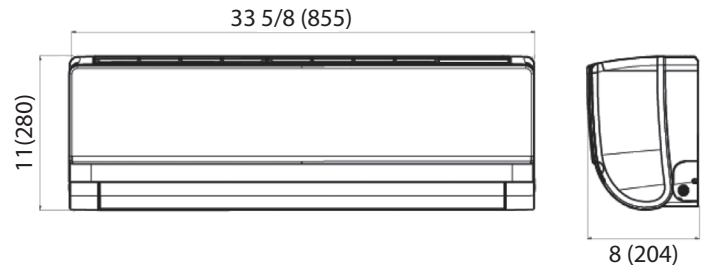
Compatible with wired controllers YR-E17, YR-E16B, and QACT17A. All wired controllers require interface kit WK-B

WiFi

Compatible with WiFi adapter QAWF01A

Indoor Unit

Uncrated Dimension (HxWxD)	11 x 33 5/8 x 8 in (280 x 855 x 204 mm)
Crated (HxWxD)	14 x 37 1/2 x 11 in (355 x 954 x 279 mm)
Airflow CFM (Turbo/High/Med/Low/Quiet)	410/350/295/235/205
Indoor Sound Level dB (Turbo/High/Med/Low/Quiet)	43/38/33/26/22
Motor Rating (HP)	0.054
Heat Exchanger Fin Type	Blue Fin
Weight (Ship/Net)	26.9/22.0 lbs



For more information visit us:
www.Haierductless.com
www.Haierductlesshelp.com



Haier Arctic Multi Series Submittal

9000 BTU/HR WALL MOUNTED INVERTER DRIVEN HEAT PUMP SYSTEM(INDOOR for multi-zone)

AW09LC2VHB

Job Name: _____

Purchaser: _____

Submitted To: _____

Construction: _____

Reference: _____

Approval: _____

Date: _____

Submitted By: _____

Unit: _____

Drawing #: _____



Electrical Requirement

Power Supply	208/230V, 1 Phase, 60 HZ
Operating Voltage Range	187~253 VAC

Performance

Rated Cooling Capacity	9,000 BTU
Rated Heating Capacity	10,000 BTU

Piping

Flare Connections	Liquid: 1/4" Vapor: 3/8"
-------------------	-----------------------------

Accessories

Remote Controller

Ships with WJ01X24721 (YR-HG)

Wired Controller

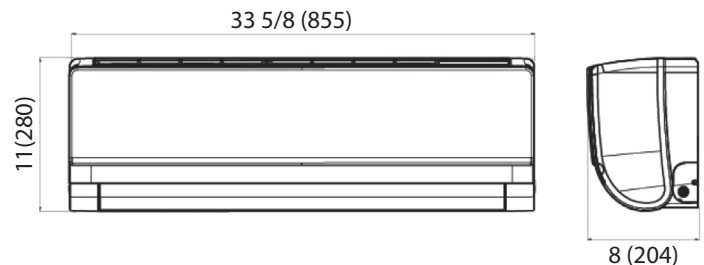
Compatible with wired controllers YR-E17, YR-E16B, and QACT17A. All wired controllers require interface kit WK-B

WiFi

Compatible with WiFi adapter QAWF01A

Indoor Unit

Uncrated Dimension (HxWxD)	11 x 33 5/8 x 8 in (280 x 855 x 204 mm)
Crated (HxWxD)	14 x 37 1/2 x 11 in (355 x 954 x 279 mm)
Airflow CFM (Turbo/High/Med/Low/Quiet)	410/350/295/235/205
Indoor Sound Level dB (Turbo/High/Med/Low/Quiet)	43/38/33/26/22
Motor Rating (HP)	0.054
Heat Exchanger Fin Type	Blue Fin
Weight (Ship/Net)	26.9/22.0 lbs



For more information visit us:
www.Haierductless.com
www.Haierductlesshelp.com

Haier Arctic Multi Series Submittal

12000 BTU/HR WALL MOUNTED INVERTER DRIVEN HEAT PUMP SYSTEM(INDOOR for multi-zone)

AW12LC2VHB

Job Name: _____

Purchaser: _____

Submitted To: _____

Construction: _____

Reference: _____

Approval: _____

Date: _____

Submitted By: _____

Unit: _____

Drawing #: _____



Electrical Requirement

Power Supply	208/230V, 1 Phase, 60 HZ
Operating Voltage Range	187~253 VAC

Performance

Rated Cooling Capacity	12,000 BTU
Rated Heating Capacity	13,000 BTU

Piping

Flare Connections	Liquid: 1/4" Vapor: 3/8"
-------------------	-----------------------------

Accessories

Remote Controller

Ships with WJ01X24721 (YR-HG)

Wired Controller

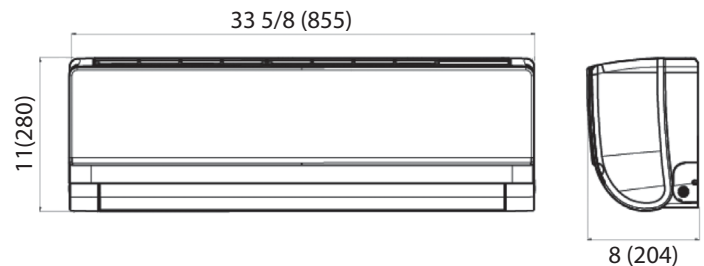
Compatible with wired controllers YR-E17, YR-E16B, and QACT17A. All wired controllers require interface kit WK-B

WiFi

Compatible with WiFi adapter QAWF01A

Indoor Unit

Uncrated Dimension (HxWxD)	11 x 33 5/8 x 8 in (280 x 855 x 204 mm)
Crated (HxWxD)	14 x 37 1/2 x 11 in (355 x 954 x 279 mm)
Airflow CFM (Turbo/High/Med/Low/Quiet)	440/380/320/265/215
Indoor Sound Level dB (Turbo/High/Med/Low/Quiet)	44/39/34/27/23
Motor Rating (HP)	0.054
Heat Exchanger Fin Type	Blue Fin
Weight (Ship/Net)	26.9/22.0 lbs



For more information visit us:
www.Haierductless.com
www.Haierductlesshelp.com

Haier Arctic Multi Series Submittal

18000 BTU/HR WALL MOUNTED INVERTER DRIVEN HEAT PUMP SYSTEM(INDOOR for multi-zone)

AW18LC2VHB

Job Name: _____

Purchaser: _____

Submitted To: _____

Construction: _____

Reference: _____

Approval: _____

Date: _____

Submitted By: _____

Unit: _____

Drawing #: _____



Electrical Requirement

Power Supply	208/230V, 1 Phase, 60 HZ
Operating Voltage Range	187~253 VAC

Performance

Rated Cooling Capacity	18,000 BTU
Rated Heating Capacity	19,000 BTU

Piping

Flare Connections	Liquid: 1/4" Vapor: 1/2"
-------------------	-----------------------------

Accessories

Remote Controller

Ships with WJ01X24721 (YR-HG)

Wired Controller

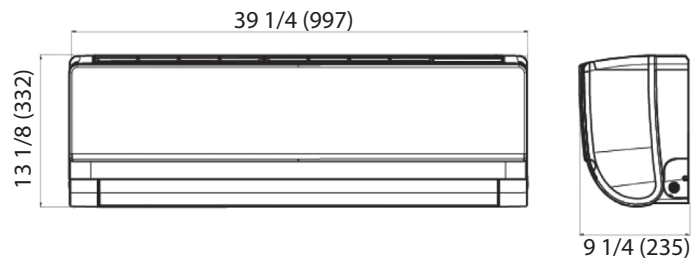
Compatible with wired controllers YR-E17, YR-E16B, and QACT17A. All wired controllers require interface kit WK-B

WiFi

Compatible with WiFi adapter QAWF01A

Indoor Unit

Uncrated Dimension (HxWxD)	13 1/8 x 39 1/4 x 9 1/4 in (332 x 997 x 235 mm)
Crated (HxWxD)	15 7/8 x 42 3/4 x 13 in (403 x 1085 x 329 mm)
Airflow CFM (Turbo/High/Med/Low/Quiet)	636/530/483/430/383
Indoor Sound Level dB (Turbo/High/Med/Low/Quiet)	48/45/40/35/30
Motor Rating (HP)	0.054
Heat Exchanger Fin Type	Blue Fin
Weight (Ship/Net)	35.3/28.7 lbs



For more information visit us:
www.Haierductless.com
www.Haierductlesshelp.com

Haier Arctic Multi Series Submittal

24,000 BTU/HR WALL MOUNTED INVERTER DRIVEN HEAT PUMP SYSTEM(INDOOR for multi-zone)

AW24LP2VHA

Job Name: _____

Purchaser: _____

Submitted To: _____

Construction: _____

Reference: _____

Approval: _____

Date: _____

Submitted By: _____

Unit: _____

Drawing #: _____



Electrical Requirement

Power Supply	208/230V, 1 Phase, 60 HZ
Operating Voltage Range	187~253 VAC

Performance

Rated Cooling Capacity	24,000 BTU
Rated Heating Capacity	27,000 BTU

Piping

Flare Connections	Liquid: 3/8" Vapor: 5/8"
-------------------	-----------------------------

Accessories

Remote Controller

Ships with WJ01X24721 (YR-HG)

Wired Controller

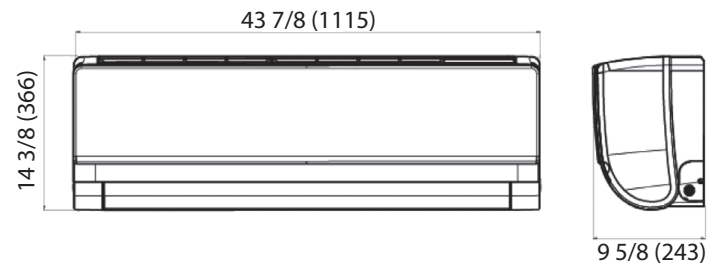
Compatible with wired controllers YR-E17, YR-E16B, and QACT17A. All wired controllers require interface kit WK-B.

WiFi

Compatible with WiFi adapter QAWF01A.

Indoor Unit

Uncrated Dimension (HxWxD)	14 3/8 x 43 7/8 x 9 5/8 in (366 x 1115 x 243 mm)
Crated (HxWxD)	16 1/2 x 47 1/2 x 13 1/2 in (418 x 1206 x 342 mm)
Airflow CFM (Turbo/High/Med/Low/Quiet)	710/650/560/440/410
Indoor Sound Level dB (Turbo/High/Med/Low/Quiet)	49/47/42/36/34
Motor Rating (HP)	0.094
Heat Exchanger Fin Type	Blue Fin
Weight (Ship/Net)	45.4/37.5 lbs



For more information visit us:
www.Haierductless.com
www.Haierductlesshelp.com

Haier Arctic Multi Series Submittal

7000 BTU/HR WALL MOUNTED INVERTER DRIVEN HEAT PUMP SYSTEM(INDOOR for multi-zone) AW07EH2VHA

Job Name: _____

Purchaser: _____

Submitted To: _____

Construction: _____

Reference: _____

Approval: _____

Date: _____

Submitted By: _____

Unit: _____

Drawing #: _____



Electrical Requirement

Power Supply	208/230V, 1 Phase, 60 HZ
Operating Voltage Range	187~253 VAC

Performance

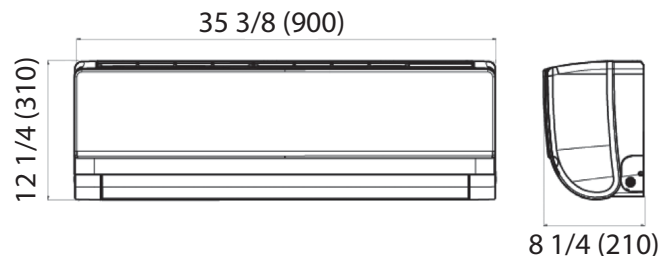
Rated Cooling Capacity	7,000 BTU
Rated Heating Capacity	10,000 BTU

Piping

Flare Connections	Liquid: 1/4" Vapor: 3/8"
-------------------	-----------------------------

Indoor Unit

Uncrated Dimension (HxWxD)	12 1/4 x 35 3/8 x 8 1/4 in (310 x 900 x 210 mm)
Crated (HxWxD)	15 3/4 x 39 x 12 3/8 in (399 x 991 x 313 mm)
Airflow CFM (Turbo/High/Med/Low/Quiet)	420/360/300/240/180
Indoor Sound Level dB (Turbo/High/Med/Low/Quiet)	42/39/37/28/23
Motor Rating (HP)	0.054
Heat Exchanger Fin Type	Blue Fin
Weight (Ship/Net)	30.9/ 25.4 lbs



Accessories

Remote Controller

Ships with WJ01X24721 (YR-HG)

Wired Controller

Compatible with wired controllers YR-E17, YR-E16B, and QACT17A. All wired controllers require interface kit WK-B

WiFi

Compatible with WiFi adapter QAWF01A



For more information visit us:
www.Haierductless.com
www.Haierductlesshelp.com

Haier Arctic Multi Series Submittal

9000 BTU/HR WALL MOUNTED INVERTER DRIVEN HEAT PUMP SYSTEM(INDOOR for multi-zone)

AW09EH2VHA

Job Name: _____

Purchaser: _____

Submitted To: _____

Construction: _____

Reference: _____

Approval: _____

Date: _____

Submitted By: _____

Unit: _____

Drawing #: _____



Electrical Requirement

Power Supply	208/230V, 1 Phase, 60 HZ
Operating Voltage Range	187~253 VAC

Performance

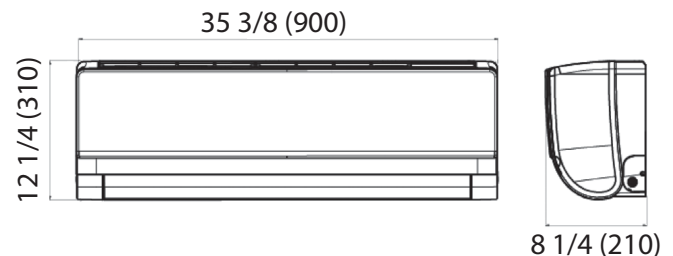
Rated Cooling Capacity	9,000 BTU
Rated Heating Capacity	12,000 BTU

Piping

Flare Connections	Liquid: 1/4" Vapor: 3/8"
-------------------	-----------------------------

Indoor Unit

Uncrated Dimension (HxWxD)	12 1/4 x 35 3/8 x 8 1/4 in (310 x 900 x 210 mm)
Crated (HxWxD)	15 3/4 x 39 x 12 3/8 in (399 x 991 x 313 mm)
Airflow CFM (Turbo/High/Med/Low/Quiet)	470/410/350/290/230
Indoor Sound Level dB (Turbo/High/Med/Low/Quiet)	42/39/37/28/23
Motor Rating (HP)	0.054
Heat Exchanger Fin Type	Blue Fin
Weight (Ship/Net)	30.9/ 25.4 lbs



Accessories

Remote Controller

Ships with WJ01X24721 (YR-HG)

Wired Controller

Compatible with wired controllers YR-E17, YR-E16B, and QACT17A. All wired controllers require interface kit WK-B

WiFi

Compatible with WiFi adapter QAWF01A



For more information visit us:
www.Haierductless.com
www.Haierductlesshelp.com

Haier Arctic Multi Series Submittal

12000 BTU/HR WALL MOUNTED INVERTER DRIVEN HEAT PUMP SYSTEM(INDOOR for multi-zone)

AW12EH2VHA

Job Name: _____

Purchaser: _____

Submitted To: _____

Construction: _____

Reference: _____

Approval: _____

Date: _____

Submitted By: _____

Unit: _____

Drawing #: _____



Electrical Requirement

Power Supply	208/230V, 1 Phase, 60 HZ
Operating Voltage Range	187~253 VAC

Performance

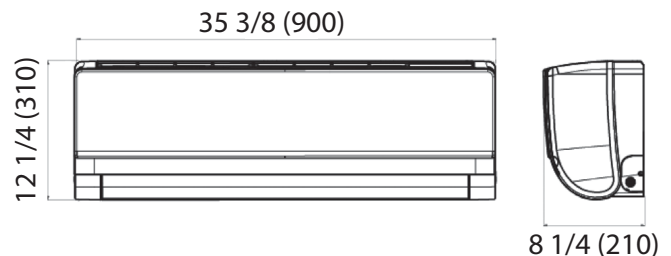
Rated Cooling Capacity	12,000 BTU
Rated Heating Capacity	16,500 BTU

Piping

Flare Connections	Liquid: 1/4" Vapor: 3/8"
-------------------	-----------------------------

Indoor Unit

Uncrated Dimension (HxWxD)	12 1/4 x 35 3/8 x 8 1/4 in (310 x 900 x 210 mm)
Crated (HxWxD)	15 3/4 x 39 x 12 3/8 in (399 x 991 x 313 mm)
Airflow CFM (Turbo/High/Med/Low/Quiet)	440/410/380/311/260
Indoor Sound Level dB (Turbo/High/Med/Low/Quiet)	42/39/37/28/23
Motor Rating (HP)	0.054
Heat Exchanger Fin Type	Blue Fin
Weight (Ship/Net)	30.9/25.4 lbs



Accessories

Remote Controller

Ships with WJ01X24721 (YR-HG)

Wired Controller

Compatible with wired controllers YR-E17, YR-E16B, and QACT17A. All wired controllers require interface kit WK-B

WiFi

Compatible with WiFi adapter QAWF01A



For more information visit us:
www.Haierductless.com
www.Haierductlesshelp.com

Haier Arctic Multi Series Submittal

18000 BTU/HR WALL MOUNTED INVERTER DRIVEN HEAT PUMP SYSTEM(INDOOR for multi-zone)

AW18EH2VHA

Job Name: _____

Purchaser: _____

Submitted To: _____

Construction: _____

Reference: _____

Approval: _____

Date: _____

Submitted By: _____

Unit: _____

Drawing #: _____



Electrical Requirement

Power Supply	208/230V, 1 Phase, 60 HZ
Operating Voltage Range	187~253 VAC

Performance

Rated Cooling Capacity	19,000 BTU
Rated Heating Capacity	20,400 BTU

Piping

Flare Connections	Liquid: 1/4" Vapor: 1/2"
-------------------	-----------------------------

Accessories

Remote Controller

Ships with WJ01X24721 (YR-HG)

Wired Controller

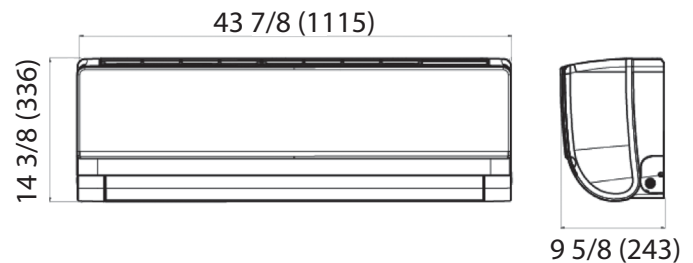
Compatible with wired controllers YR-E17, YR-E16B, and QACT17A. All wired controllers require interface kit WK-B

WiFi

Compatible with WiFi adapter QAWF01A

Indoor Unit

Uncrated Dimension (HxWxD)	14 3/8 x 43 7/8 x 9 5/8 in (366 x 1115 x 243 mm)
Crated (HxWxD)	16 1/2 x 47 1/2 x 13 1/2 in (418 x 1206 x 342 mm)
Airflow CFM (Turbo/High/Med/Low/Quiet)	710/650/560/440/410
Indoor Sound Level dB (Turbo/High/Med/Low/Quiet)	49/47/42/36/34
Motor Rating (HP)	0.094
Heat Exchanger Fin Type	Blue Fin
Weight (Ship/Net)	45.4/37.5 lbs



For more information visit us:
www.Haierductless.com
www.Haierductlesshelp.com

Haier Arctic Multi Series Submittal

9000 BTU/HR CASSETTE TYPE INDOOR

AB09SC2VHA

Job Name: _____

Purchaser: _____

Submitted To: _____

Construction: _____

Reference: _____

Approval: _____

Date: _____

Submitted By: _____

Unit: _____

Drawing #: _____



Electrical Requirement

Power Supply	208/230V, 1 Phase, 60 HZ
Operating Voltage Range	187~253 VAC

Performance

Rated Cooling Capacity	9,000 BTU
Rated Heating Capacity	10,000 BTU

Piping

Flare Connections	Liquid: 1/4" Vapor: 3/8"
-------------------	-----------------------------

Accessories

Remote Controller

WJ01X24721 (YR-HG) ships with Cassette panel
PB-700KB

Wired Controller

Compatible with wired controllers YR-E17, YR-E16B, and QACT17A

Panel

PB-700KB is required to complete the installation and it must be ordered separately

Indoor Unit

Chassis Uncrated Dimension (HxWxD)	10 1/4 x 22 1/2 x 22 1/2 in (260 x 570 x 570 mm)
Chassis Crated (HxWxD)	15 x 28 1/4 x 26 3/4 in (380 x 718 x 680 mm)
Panel Uncrated Dimension (HxWxD)	2 3/8 x 27 1/2 x 27 1/2 in (60 x 700 x 700 mm)
Panel Crated (HxWxD)	4 1/2 x 29 1/8 x 29 1/2 in (115 x 740 x 750 mm)
Airflow CFM (Turbo/High/Med/Low/Quiet)	410/365/305/265/205
Indoor Sound Level dB (Turbo/High/Med/Low/Quiet)	42/40/36/32/25
Motor Rating (HP)	0.033
Heat Exchanger Fin Type	Blue Fin
Condensate Pump	Included - 47.2 in Lift
Weight (Ship/Net)	46.3/37.5 lbs



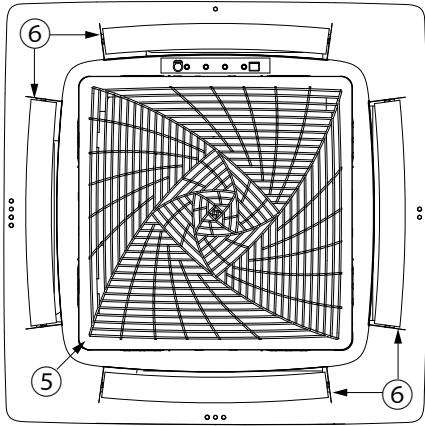
GE APPLIANCES
a Haier company

For more information visit us:
www.Haierductless.com
www.Haierductlesshelp.com

Haier Arctic Multi Series Submittal

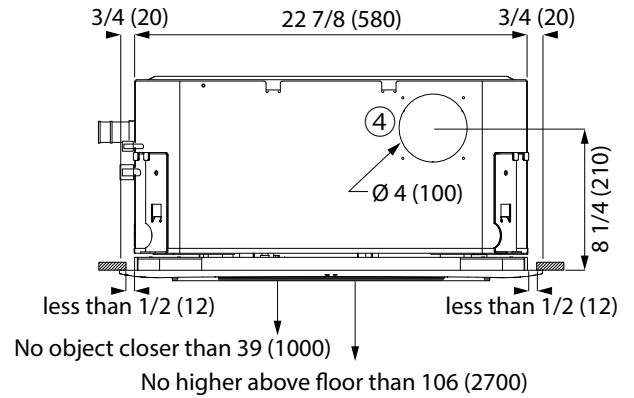
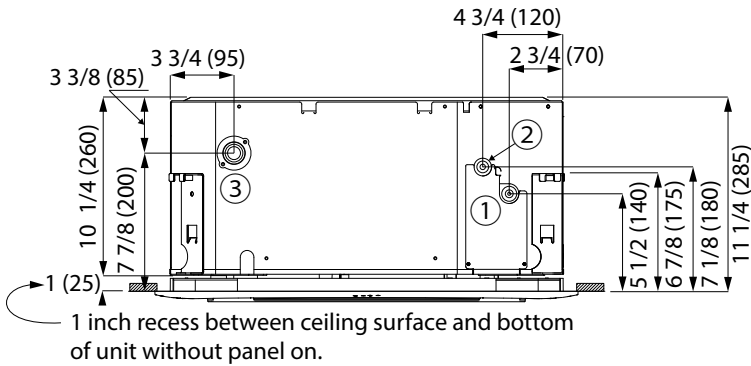
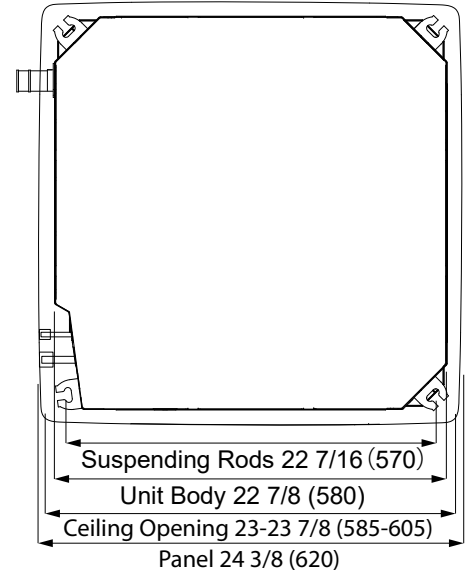
9000 BTU/HR CASSETTE TYPE INDOOR

AB09SC2VHA



#	Part Name
1	Vapor Pipe
2	Liquid Pipe
3	Drain Pump Outlet
4	Fresh Air Inlet
5	Air Return Grille
6	Air Supply

More than 59 (1500) to wall on all sides



Haier Arctic Multi Series Submittal

12000 BTU/HR CASSETTE TYPE INDOOR

AB12SC2VHA

Job Name: _____

Purchaser: _____

Submitted To: _____

Construction: _____

Reference: _____

Approval: _____

Date: _____

Submitted By: _____

Unit: _____

Drawing #: _____



Electrical Requirement

Power Supply	208/230V, 1 Phase, 60 HZ
Operating Voltage Range	187~253 VAC

Performance

Rated Cooling Capacity	12,000 BTU
Rated Heating Capacity	13,000 BTU

Piping

Flare Connections	Liquid: 1/4" Vapor: 3/8"
-------------------	-----------------------------

Accessories

Remote Controller

WJ01X24721 (YR-HG) ships with Cassette panel
PB-700KB

Wired Controller

Compatible with wired controllers YR-E17, YR-E16B, and QACT17A

Panel

PB-700KB is required to complete the installation and it must be ordered separately

Indoor Unit

Chassis Uncrated Dimension (HxWxD)	10 1/4 x 22 1/2 x 22 1/2 in (260 x 570 x 570 mm)
Chassis Crated (HxWxD)	15 x 28 1/4 x 26 3/4 in (380 x 718 x 680 mm)
Panel Uncrated Dimension (HxWxD)	2 3/8 x 27 1/2 x 27 1/2 in (60 x 700 x 700 mm)
Panel Crated (HxWxD)	4 1/2 x 29 1/8 x 29 1/2 in (115 x 740 x 750 mm)
Airflow CFM (Turbo/High/Med/Low/Quiet)	410/365/305/265/205
Indoor Sound Level dB (Turbo/High/Med/Low/Quiet)	42/40/36/32/25
Motor Rating (HP)	0.033
Heat Exchanger Fin Type	Blue Fin
Condensate Pump	Included - 47.2 in Lift
Weight (Ship/Net)	48.5/40.8 lbs

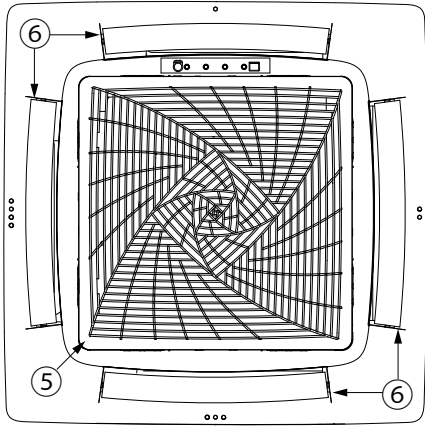


For more information visit us:
www.Haierductless.com
www.Haierductlesshelp.com

Haier Arctic Multi Series Submittal

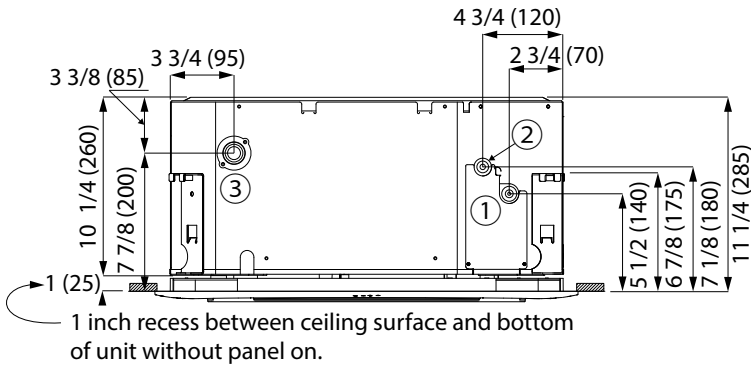
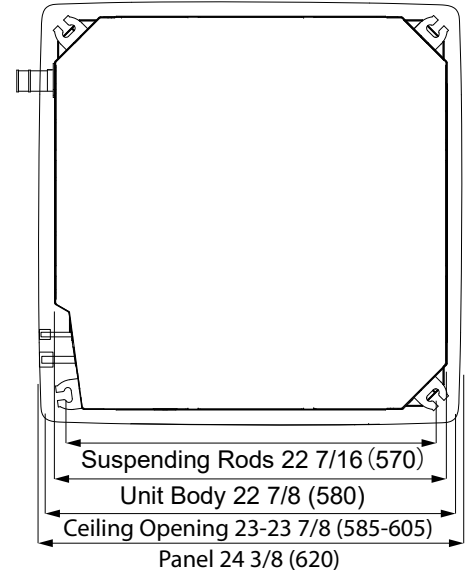
12000 BTU/HR CASSETTE TYPE INDOOR

AB12SC2VHA

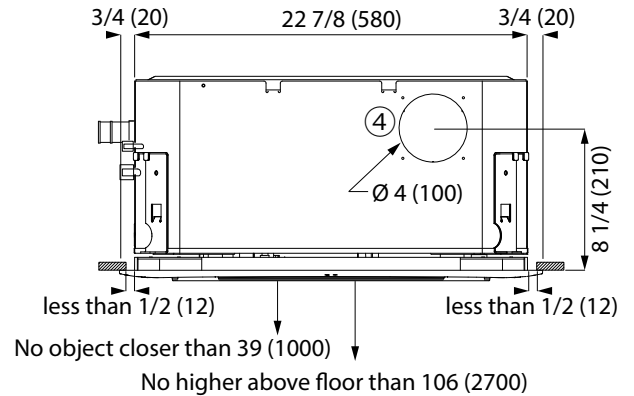


#	Part Name
1	Vapor Pipe
2	Liquid Pipe
3	Drain Pump Outlet
4	Fresh Air Inlet
5	Air Return Grille
6	Air Supply

More than 59 (1500) to wall on all sides



1 inch recess between ceiling surface and bottom of unit without panel on.



No higher above floor than 106 (2700)

Haier Arctic Multi Series Submittal

18000 BTU/HR CASSETTE TYPE INDOOR

AB18SC2VHA

Job Name: _____

Purchaser: _____

Submitted To: _____

Construction: _____

Reference: _____

Approval: _____

Date: _____

Submitted By: _____

Unit: _____

Drawing #: _____



Electrical Requirement

Power Supply	208/230V, 1 Phase, 60 HZ
Operating Voltage Range	187~253 VAC

Performance

Rated Cooling Capacity	18,000 BTU
Rated Heating Capacity	19,000 BTU

Piping

Flare Connections	Liquid: 1/4" Vapor: 1/2"
-------------------	-----------------------------

Accessories

Remote Controller

WJ01X24721 (YR-HG) ships with Cassette panel
PB-700KB

Wired Controller

Compatible with wired controllers YR-E17, YR-E16B, and QACT17A

Panel

PB-700KB is required to complete the installation and it must be ordered separately

Indoor Unit

Chassis Uncrated Dimension (HxWxD)	10 1/4 x 22 1/2 x 22 1/2 in (260 x 570 x 570 mm)
Chassis Crated (HxWxD)	15 x 28 1/4 x 26 3/4 in (380 x 718 x 680 mm)
Panel Uncrated Dimension (HxWxD)	2 3/8 x 27 1/2 x 27 1/2 in (60 x 700 x 700 mm)
Panel Crated (HxWxD)	4 1/2 x 29 1/8 x 29 1/2 in (115 x 740 x 750 mm)
Airflow CFM (Turbo/High/Med/Low/Quiet)	470/410/365/295/252
Indoor Sound Level dB (Turbo/High/Med/Low/Quiet)	45/42/40/36/32
Motor Rating (HP)	0.033
Heat Exchanger Fin Type	Blue Fin
Condensate Pump	Included - 47.2 in Lift
Weight (Ship/Net)	48.5/40.8 lbs

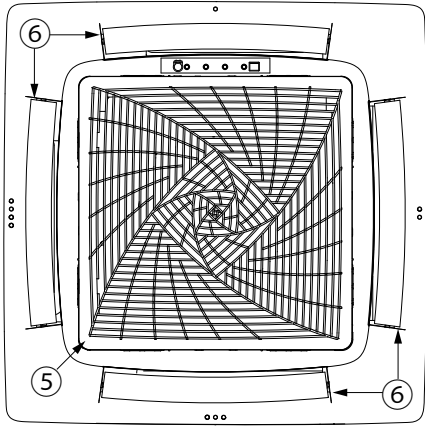


For more information visit us:
www.Haierductless.com
www.Haierductlesshelp.com

Haier Arctic Multi Series Submittal

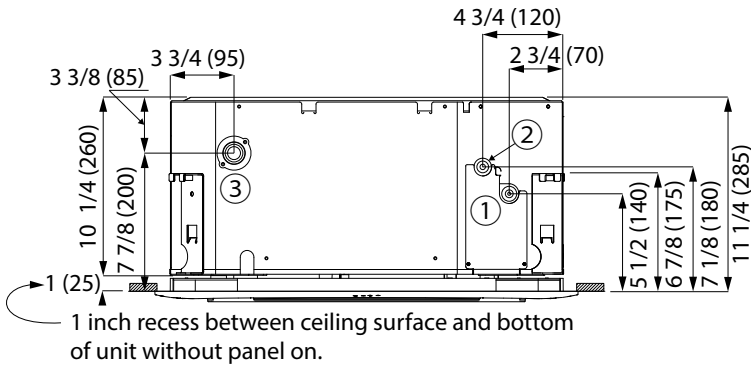
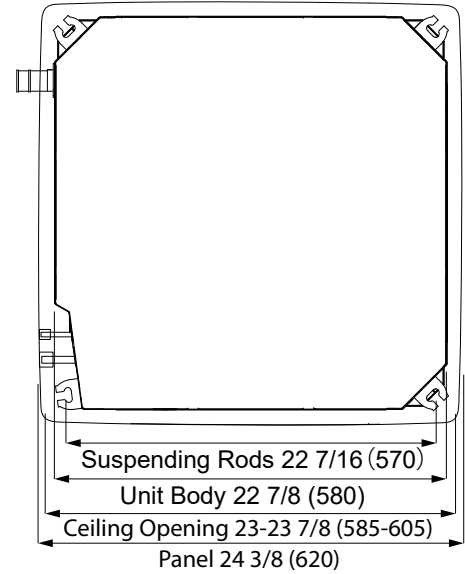
18000 BTU/HR CASSETTE TYPE INDOOR

AB18SC2VHA

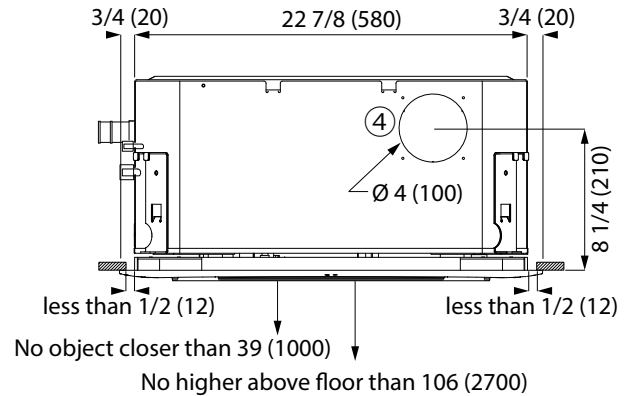


#	Part Name
1	Vapor Pipe
2	Liquid Pipe
3	Drain Pump Outlet
4	Fresh Air Inlet
5	Air Return Grille
6	Air Supply

More than 59 (1500) to wall on all sides



1 inch recess between ceiling surface and bottom of unit without panel on.



No higher above floor than 106 (2700)

Haier Arctic Multi Series Submittal

24,000 BTU/HR CASSETTE TYPE INDOOR

AL24LP2VHA

Job Name: _____

Purchaser: _____

Submitted To: _____

Construction: _____

Reference: _____

Approval: _____

Date: _____

Submitted By: _____

Unit: _____

Drawing #: _____



Electrical Requirement

Power Supply	208/230V, 1 Phase, 60 HZ
Operating Voltage Range	187~253 VAC

Performance

Rated Cooling Capacity	24,000 BTU
Rated Heating Capacity	27,300 BTU

Piping

Flare Connections	Liquid: 3/8" Vapor: 5/8"
-------------------	-----------------------------

Accessories

Remote Controller

Ship with YR-HBS01

Wired Controller

Compatible with wired controllers YR-E17, YR-E16B, and QACT17A

Panel

PB-950KC is required to complete the installation and it must be ordered separately

Indoor Unit

Chassis Uncrated Dimension (HxWxD)	9 5/8 x 33 1/8 x 33 1/8 in (246 x 840 x 840 mm)
Chassis Crated (HxWxD)	12 1/4 x 39 x 39 in (310 x 990 x 990 mm)
Panel Uncrated Dimension (HxWxD)	2 x 37 3/8 x 37 3/8 (50 x 950 x 950 mm)
Panel Crated (HxWxD)	4 3/8 x 39 3/8 x 39 3/8 (110 x 1000 x 1000 mm)
Airflow CFM (Turbo/High/Med/Low/Quiet)	740/630/480/400
Indoor Sound Level dB (Turbo/High/Med/Low/Quiet)	36/33/29/26
Motor Rating (HP)	0.0161
Heat Exchanger Fin Type	Blue Fin
Condensate Pump	Included - 47.2 in Lift
Weight (Ship/Net)	79.4/68.3 lbs

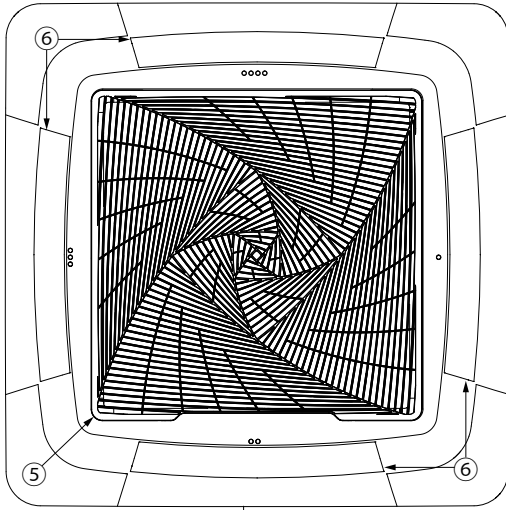


For more information visit us:
www.Haierductless.com
www.Haierductlesshelp.com

Haier Arctic Multi Series Submittal

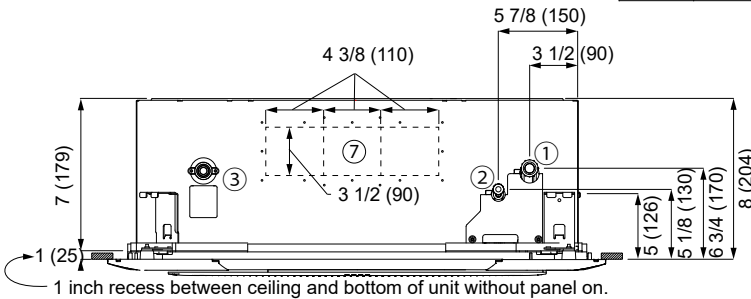
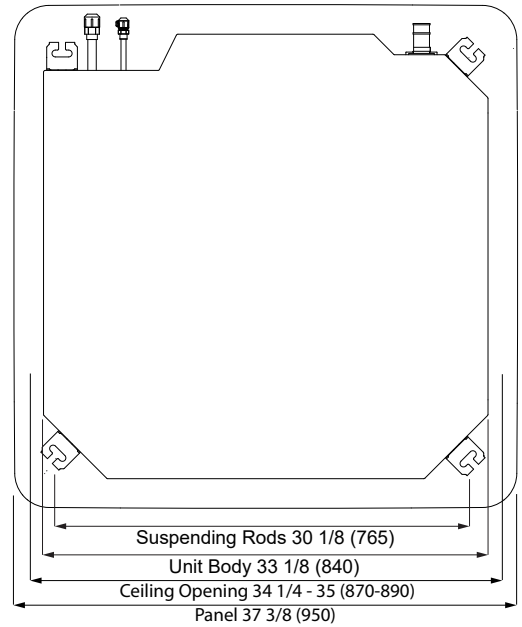
24,000 BTU/HR CASSETTE TYPE INDOOR

AL24LP2VHA

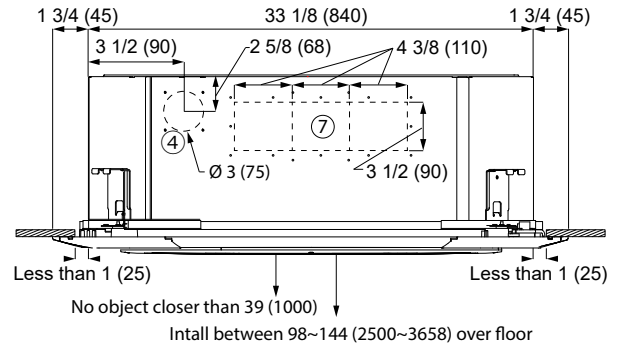


More than 59 (1500) to wall on all sides

#	Part Name
1	Vapor Pipe
2	Liquid Pipe
3	Drain Pump Outlet
4	Fresh Air Inlet
5	Air Return Grille
6	Air Supply
7	Auxiliary Air Supply



1 inch recess between ceiling and bottom of unit without panel on.



No object closer than 39 (1000)
Intall between 98~144 (2500~3658) over floor

Haier Arctic Multi Series Submittal

7000 BTU/HR SLIM DUCT TYPE INDOOR

AD07SL2VHB

Job Name: _____

Purchaser: _____

Submitted To: _____

Construction: _____

Reference: _____

Approval: _____

Date: _____

Submitted By: _____

Unit: _____

Drawing #: _____



Electrical Requirement

Power Supply	208/230V, 1 Phase, 60 HZ
Operating Voltage Range	187~253 VAC

Performance

Rated Cooling Capacity	7,000 BTU
Rated Heating Capacity	8,000 BTU

Piping

Flare Connections	Liquid: 1/4" Vapor: 3/8"
-------------------	-----------------------------

Indoor Unit

Uncrated Dimension (HxWxD)	7 1/4 x 33 1/2 x 16 1/2 in (185 x 850 x 420 mm)
Crated (HxWxD)	10 3/8 x 40 3/4 x 21 1/4 in (265 x 1035 x 540 mm)
Maximum ESP (IWC)	0.16
Airflow CFM (Turbo/High/Med/Low/Quiet)	353/312/270/230/188
Indoor Sound Level dB (Turbo/High/Med/Low/Quiet)	35/33/29/26/21
Motor Rating (HP)	0.066
Heat Exchanger Fin Type	Blue Fin
Condensate Pump	Included - 27.5 in Lift
Weight (Ship/Net)	47.2/36.8 lbs

Accessories

Wired Controller

Ships with YR-E17. Compatible with wired controllers YR-E16B and QACT17A

Panel

Optional motorized supply and return grille accessory: P1B-890IA(I) and P1B-890IA(O) are available

Grilles

Return Grille - PAD0890RA

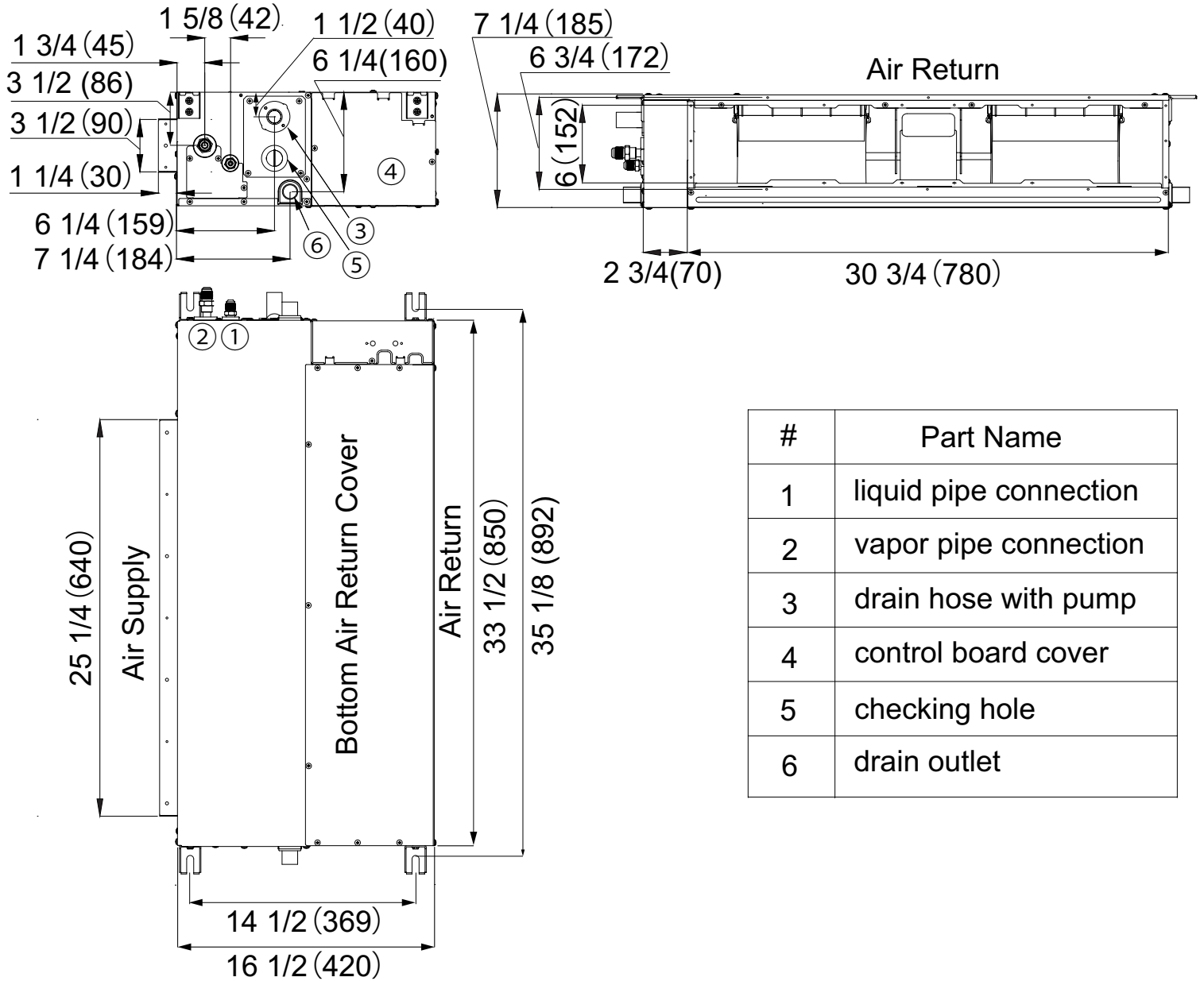
Supply Grille - PAD0890SA



For more information visit us:
www.Haierductless.com
www.Haierductlesshelp.com

7000 BTU/HR SLIM DUCT TYPE INDOOR

AD07SL2VHB



#	Part Name
1	liquid pipe connection
2	vapor pipe connection
3	drain hose with pump
4	control board cover
5	checking hole
6	drain outlet

Haier Arctic Multi Series Submittal

9000 BTU/HR SLIM DUCT TYPE INDOOR

AD09SL2VHB

Job Name: _____

Purchaser: _____

Submitted To: _____

Construction: _____

Reference: _____

Approval: _____

Date: _____

Submitted By: _____

Unit: _____

Drawing #: _____



Electrical Requirement	
Power Supply	208/230V, 1 Phase, 60 HZ
Operating Voltage Range	187~253 VAC

Performance	
Rated Cooling Capacity	9,000 BTU
Rated Heating Capacity	10,000 BTU

Piping	
Flare Connections	Liquid: 1/4" Vapor: 3/8"

Indoor Unit	
Uncrated Dimension (HxWxD)	7 1/4 x 33 1/2 x 16 1/2 in (185 x 850 x 420 mm)
Crated (HxWxD)	10 3/8 x 40 3/4 x 21 1/4 in (265 x 1035 x 540 mm)
Maximum ESP (IWC)	0.16
Airflow CFM (Turbo/High/Med/Low/Quiet)	353/312/270/230/188
Indoor Sound Level dB (Turbo/High/Med/Low/Quiet)	35/33/29/26/22
Motor Rating (HP)	0.066
Heat Exchanger Fin Type	Blue Fin
Condensate Pump	Included - 27.5 in Lift
Weight (Ship/Net)	47.2/36.8 lbs

Accessories

Wired Controller

Ships with YR-E17. Compatible with wired controllers YR-E16B and QACT17A.

Panel

Optional motorized supply and return grille accessory: P1B-890IA(I) and P1B-890IA(O) are available

Grilles

Return Grille - PAD0890RA

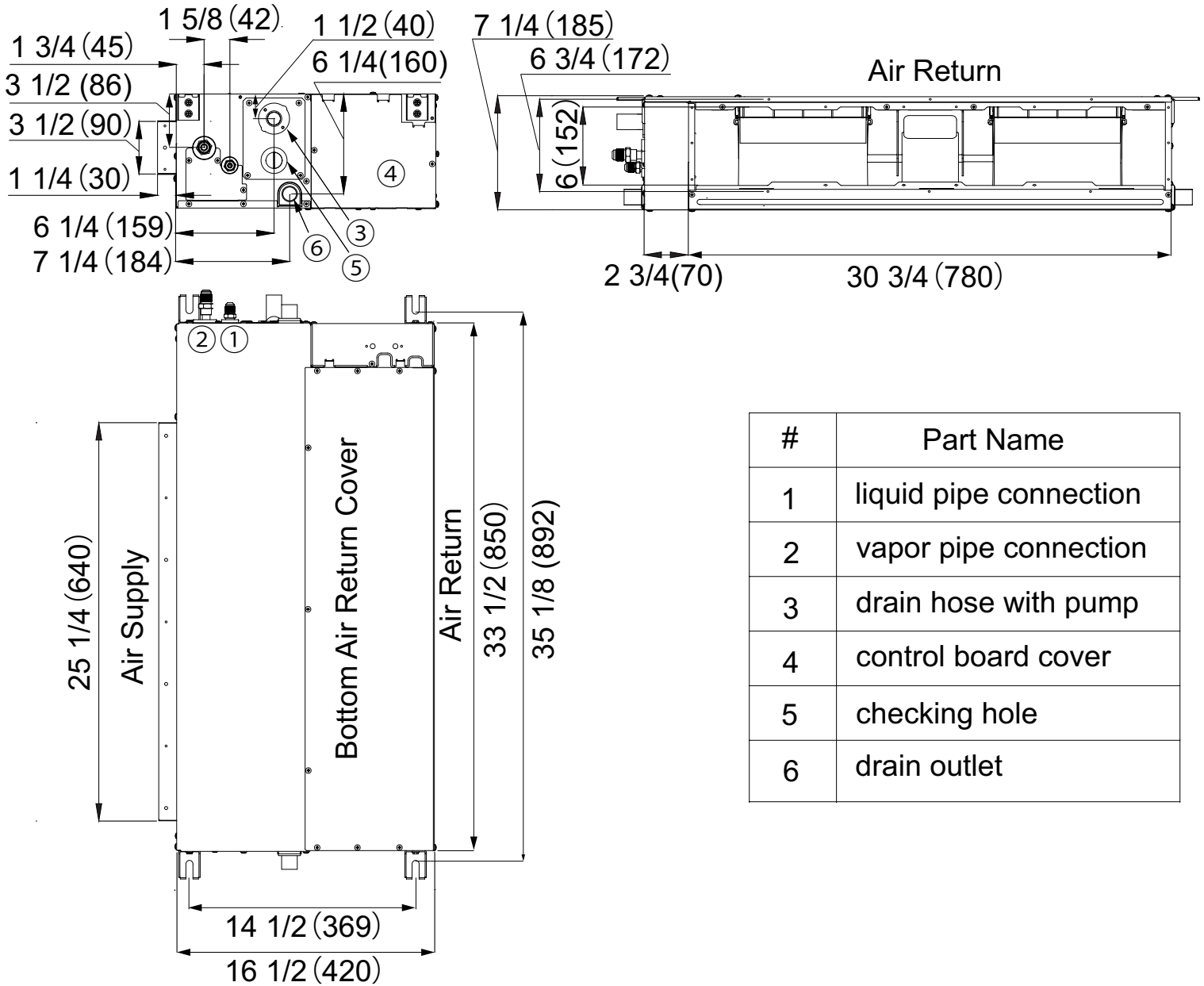
Supply Grille - PAD0890SA



For more information visit us:
www.Haierductless.com
www.Haierductlesshelp.com

9000 BTU/HR SLIM DUCT TYPE INDOOR

AD09SL2VHB



Haier Arctic Multi Series Submittal

12000 BTU/HR SLIM DUCT TYPE INDOOR

AD12SL2VHB

Job Name: _____

Purchaser: _____

Submitted To: _____

Construction: _____

Reference: _____

Approval: _____

Date: _____

Submitted By: _____

Unit: _____

Drawing #: _____



Electrical Requirement

Power Supply	208/230V, 1 Phase, 60 HZ
Operating Voltage Range	187~253 VAC

Performance

Rated Cooling Capacity	12,000 BTU
Rated Heating Capacity	13,000 BTU

Piping

Flare Connections	Liquid: 1/4" Vapor: 3/8"
-------------------	-----------------------------

Indoor Unit

Uncrated Dimension (HxWxD)	7 1/4 x 33 1/2 x 16 1/2 in (185 x 850 x 420 mm)
Crated (HxWxD)	10 3/8 x 40 3/4 x 21 1/4 in (265 x 1035 x 540 mm)
Maximum ESP (IWC)	0.16
Airflow CFM (Turbo/High/Med/Low/Quiet)	400/353/282/247/218
Indoor Sound Level dB (Turbo/High/Med/Low/Quiet)	38/35/29/26/23
Motor Rating (HP)	0.085
Heat Exchanger Fin Type	Blue Fin
Condensate Pump	Included - 27.5 in Lift
Weight (Ship/Net)	47.2/36.8 lbs

Accessories

Wired Controller

Ships with YR-E17. Compatible with wired controllers YR-E16B and QACT17A.

Panel

Optional motorized supply and return grille accessory: P1B-890IA(I) and P1B-890IA(O) are available

Grilles

Return Grille - PAD0890RA

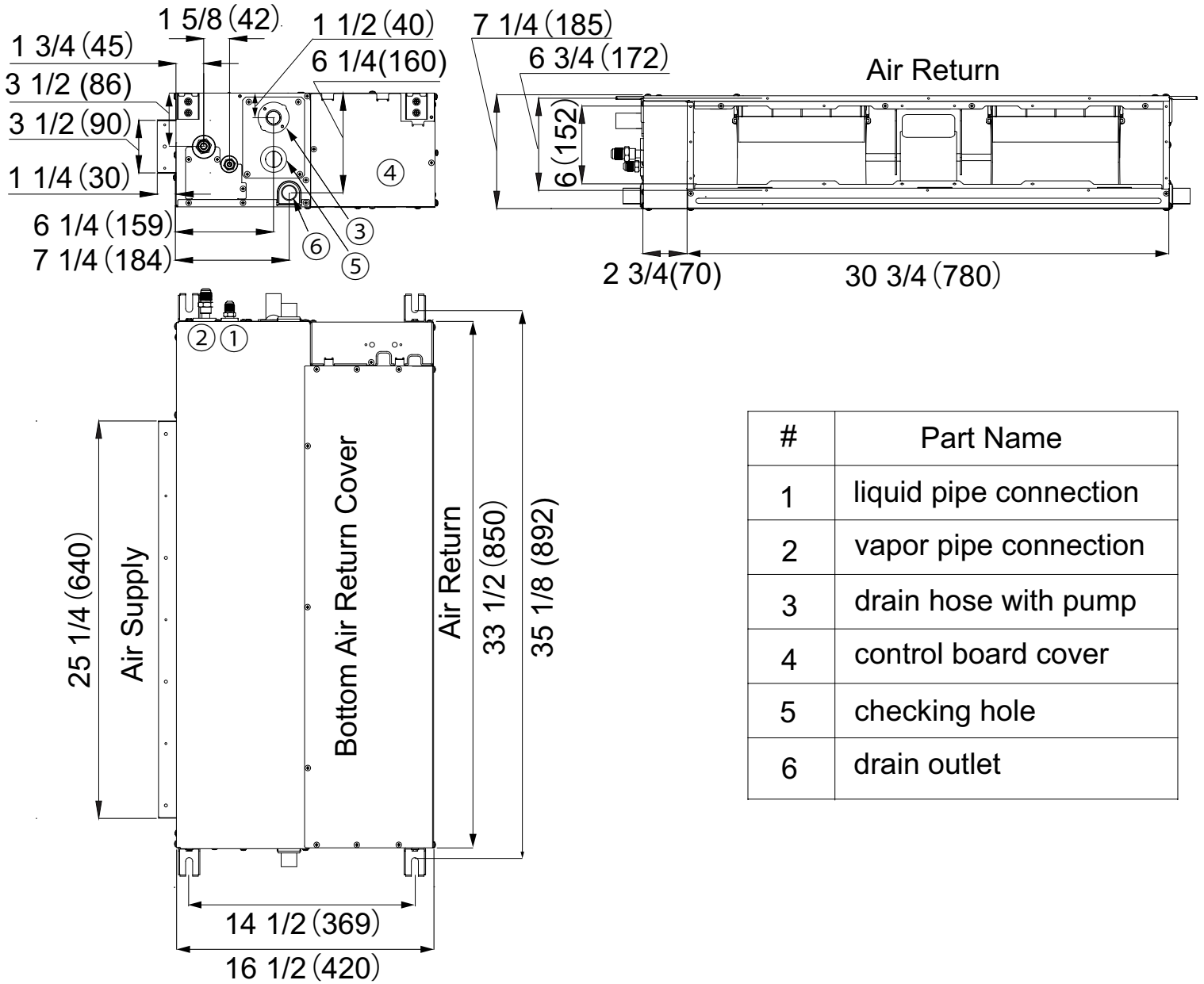
Supply Grille - PAD0890SA



For more information visit us:
www.Haierductless.com
www.Haierductlesshelp.com

12000 BTU/HR SLIM DUCT TYPE INDOOR

AD12SL2VHB



#	Part Name
1	liquid pipe connection
2	vapor pipe connection
3	drain hose with pump
4	control board cover
5	checking hole
6	drain outlet

Haier Arctic Multi Series Submittal

18000 BTU/HR SLIM DUCT TYPE INDOOR

AD18SL2VHB

Job Name: _____

Purchaser: _____

Submitted To: _____

Construction: _____

Reference: _____

Approval: _____

Date: _____

Submitted By: _____

Unit: _____

Drawing #: _____



Electrical Requirement

Power Supply	208/230V, 1 Phase, 60 HZ
Operating Voltage Range	187~253 VAC

Performance

Rated Cooling Capacity	18,000 BTU
Rated Heating Capacity	19,000 BTU

Piping

Flare Connections	Liquid: 1/4" Vapor: 1/2"
-------------------	-----------------------------

Indoor Unit

Uncrated Dimension (HxWxD)	7 1/4 x 33 1/2 x 16 1/2 in (185 x 850 x 420 mm)
Crated (HxWxD)	10 3/8 x 40 3/4 x 21 1/4 in (265 x 1035 x 540 mm)
Maximum ESP (IWC)	0.16
Airflow CFM (Turbo/High/Med/Low/Quiet)	540/500/447/365/306
Indoor Sound Level dB (Turbo/High/Med/Low/Quiet)	31/29/23/29/25
Motor Rating (HP)	0.114
Heat Exchanger Fin Type	Blue Fin
Condensate Pump	Included - 27.5 in Lift
Weight (Ship/Net)	62.4/48.5 lbs

Accessories

Wired Controller

Ships with YR-E17. Compatible with wired controllers YR-E16B and QACT17A.

Panel

Optional motorized supply and return grille accessory: P1B-890IA(I) and P1B-890IA(O) are available

Grilles

Return Grille - PAD1210RA

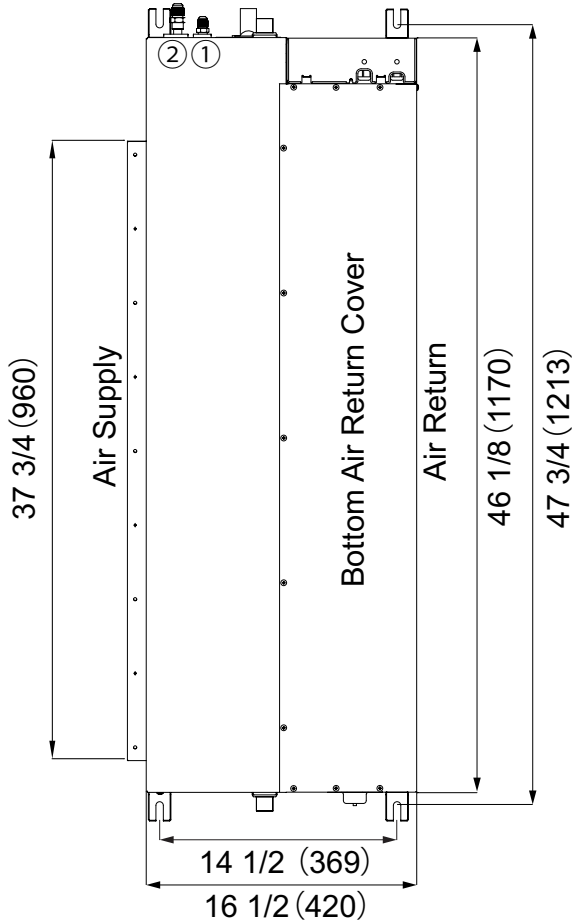
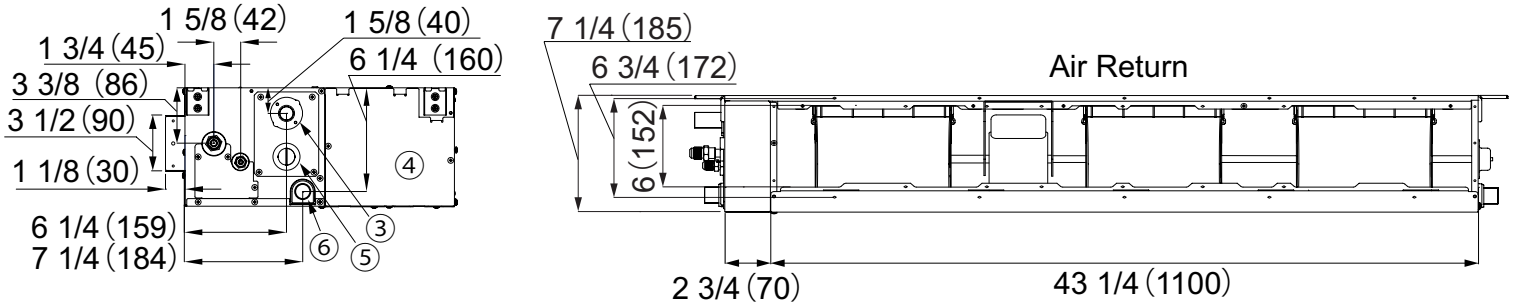
Supply Grille - PAD1210SA



For more information visit us:
www.Haierductless.com
www.Haierductlesshelp.com

18000 BTU/HR SLIM DUCT TYPE INDOOR

AD18SL2VHB



#	Part Name
1	liquid pipe connection
2	vapor pipe connection
3	drain hose with pump
4	control board cover
5	checking hole
6	drain outlet

Haier Arctic Multi Series Submittal

24000 BTU/HR SLIM DUCT TYPE INDOOR

AM24LP2VHA

Job Name: _____

Purchaser: _____

Submitted To: _____

Construction: _____

Reference: _____

Approval: _____

Date: _____

Submitted By: _____

Unit: _____

Drawing #: _____



Electrical Requirement

Power Supply	208/230V, 1 Phase, 60 HZ
Operating Voltage Range	187~253 VAC

Performance

Rated Cooling Capacity	24,000 BTU
Rated Heating Capacity	26,500 BTU

Piping

Flare Connections	Liquid: 3/8" Vapor: 5/8"
-------------------	-----------------------------

Indoor Unit

Uncrated Dimension (HxWxD)	9 7/8 x 41 3/8 x 28 3/8 in (250 x 1050 x 720 mm)
Crated (HxWxD)	13 3/8 x 46 1/8 x 33 7/8 in (340 x 1170 x 860 mm)
Maximum ESP (IWC)	0.60
Airflow CFM (Turbo/High/Med/Low/Quiet)	845/670/530/470
Indoor Sound Level dB (Turbo/High/Med/Low/Quiet)	38/35/32/29
Motor Rating (HP)	0.362
Heat Exchanger Fin Type	Blue Fin
Condensate Pump	Included - 27.5 in Lift
Weight (Ship/Net)	81.6/68.8 lbs

Accessories

Wired Controller

Ships with YR-E17. Compatible with wired controllers YR-E16B and QACT17A.

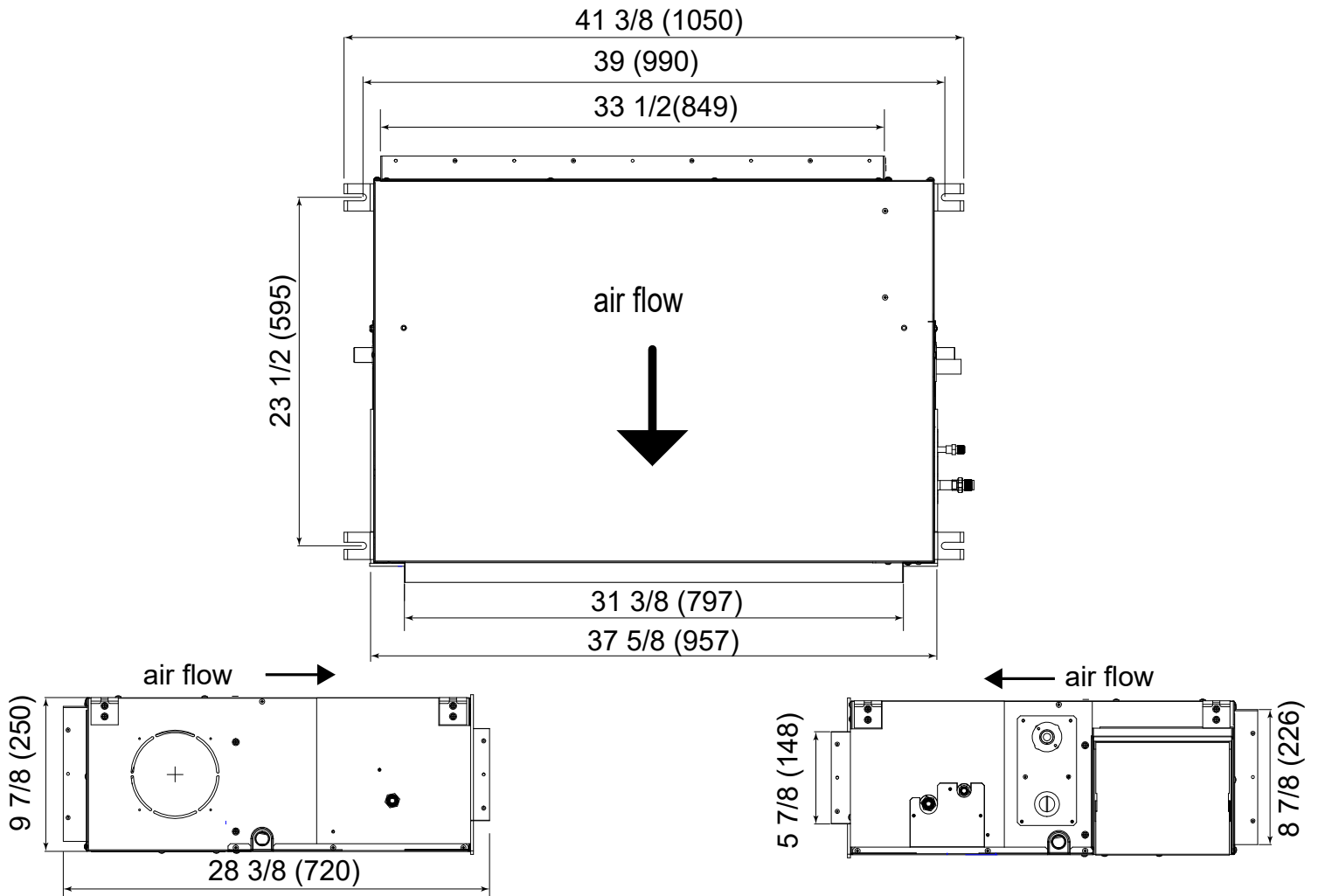


For more information visit us:
www.Haierductless.com
www.Haierductlesshelp.com

Haier Arctic Multi Series Submittal

24000 BTU/HR SLIM DUCT TYPE INDOOR

AM24LP2VHA



Haier Arctic Multi Series Submittal

9000 BTU/HR MID-STATIC DUCTED INDOOR

USYM09UCDSA

Job Name: _____

Purchaser: _____

Submitted To: _____

Construction: _____

Reference: _____

Approval: _____

Date: _____

Submitted By: _____

Unit: _____

Drawing #: _____



Electrical Requirement

Power Supply	208/230V, 1 Phase, 60 HZ
Operating Voltage Range	187~253 VAC

Performance

Rated Cooling Capacity	9,000 BTU
Rated Heating Capacity	10,000 BTU

Piping

Flare Connections	Liquid: 1/4" Vapor: 3/8"
Drain Pipe	1 1/4"

Accessories

Wired Controller

Controller must be ordered separately. Compatible with QACT17A and YR-E16B

Built-in WiFi

Indoor Unit

Uncrated Dimension (HxWxD)	9 3/4 x 27 1/2 x 27 1/2 in (248 x 700 x 700 mm)
Crated (HxWxD)	13 1/4 x 37 1/2 x 35 1/2 in (340 x 950 x 900 mm)
Maximum ESP (IWC)	0.6
Airflow CFM (Turbo/High/Med/Low)	494/423/352/264
Indoor Sound Level dB (Turbo/High/Med/Low)	35/32/29/26
Motor Rating (HP)	0.18
Heat Exchanger Fin Type	Blue Fin
Condensate Pump	Included - 39 in. Lift
Weight (Ship/Net)	57/66 lbs

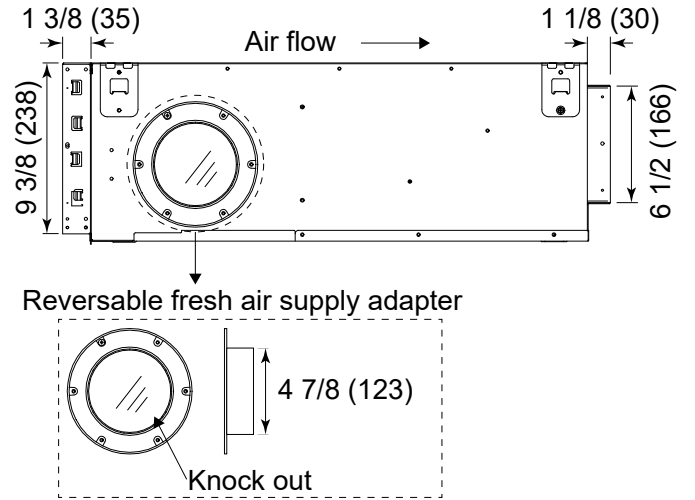
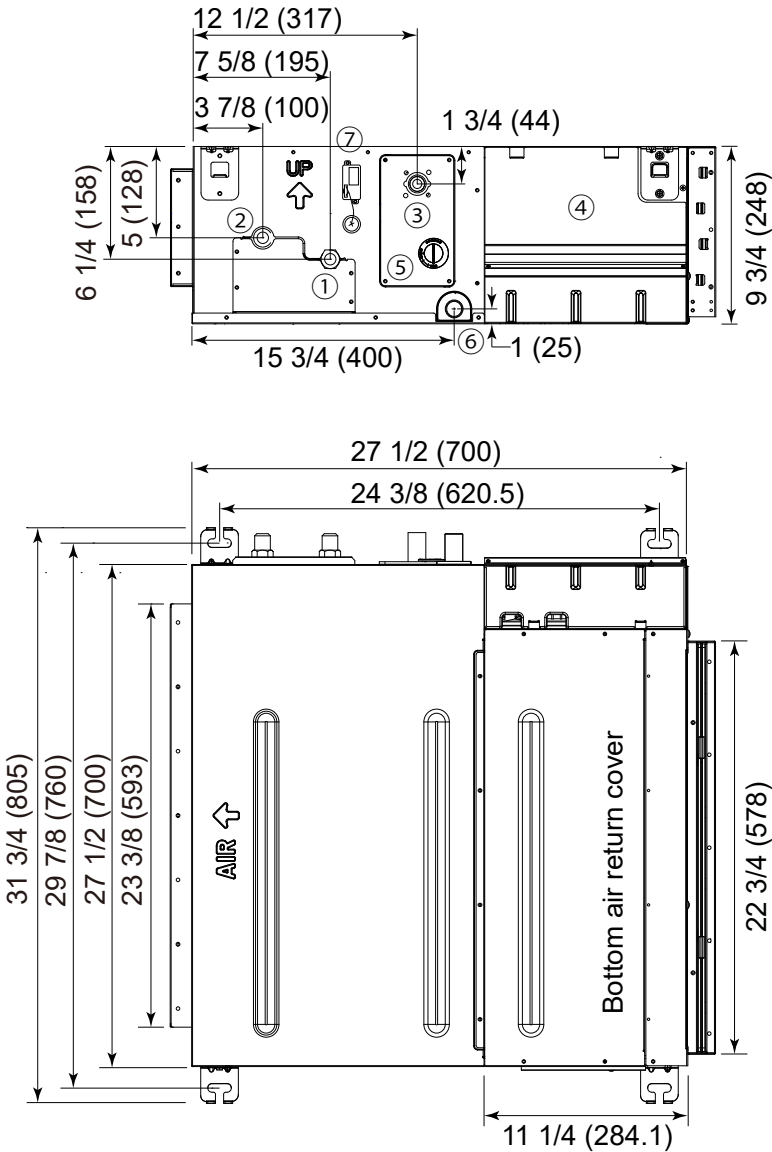


GE APPLIANCES
a Haier company

For more information visit us:
www.Haierductless.com
www.Haierductlesshelp.com

9000 BTU/HR MID-STATIC DUCTED INDOOR

USYM09UCDSA



#	Description
1	Liquid pipe connection
2	Vapor pipe connection
3	Drain pump outlet
4	Control board cover
5	Inspection hole
6	Gravity drain outlet
7	WiFi module

Haier Arctic Multi Series Submittal

12000 BTU/HR MID-STATIC DUCTED INDOOR

USYM12UCDSA

Job Name: _____

Purchaser: _____

Submitted To: _____

Construction: _____

Reference: _____

Approval: _____

Date: _____

Submitted By: _____

Unit: _____

Drawing #: _____



Electrical Requirement

Power Supply	208/230V, 1 Phase, 60 HZ
Operating Voltage Range	187~253 VAC

Performance

Rated Cooling Capacity	12,000 BTU
Rated Heating Capacity	13,000 BTU

Piping

Flare Connections	Liquid: 1/4" Vapor: 3/8"
Drain Pipe	1 1/4"

Accessories

Wired Controller

Controller must be ordered separately. Compatible with QACT17A and YR-E16B

Built-in WiFi

Indoor Unit

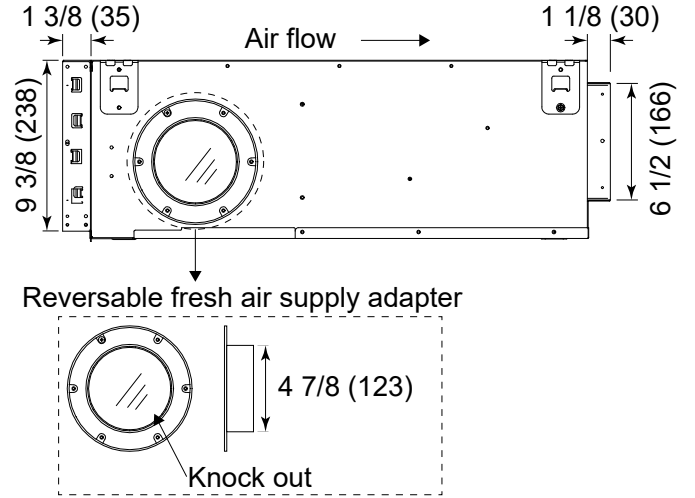
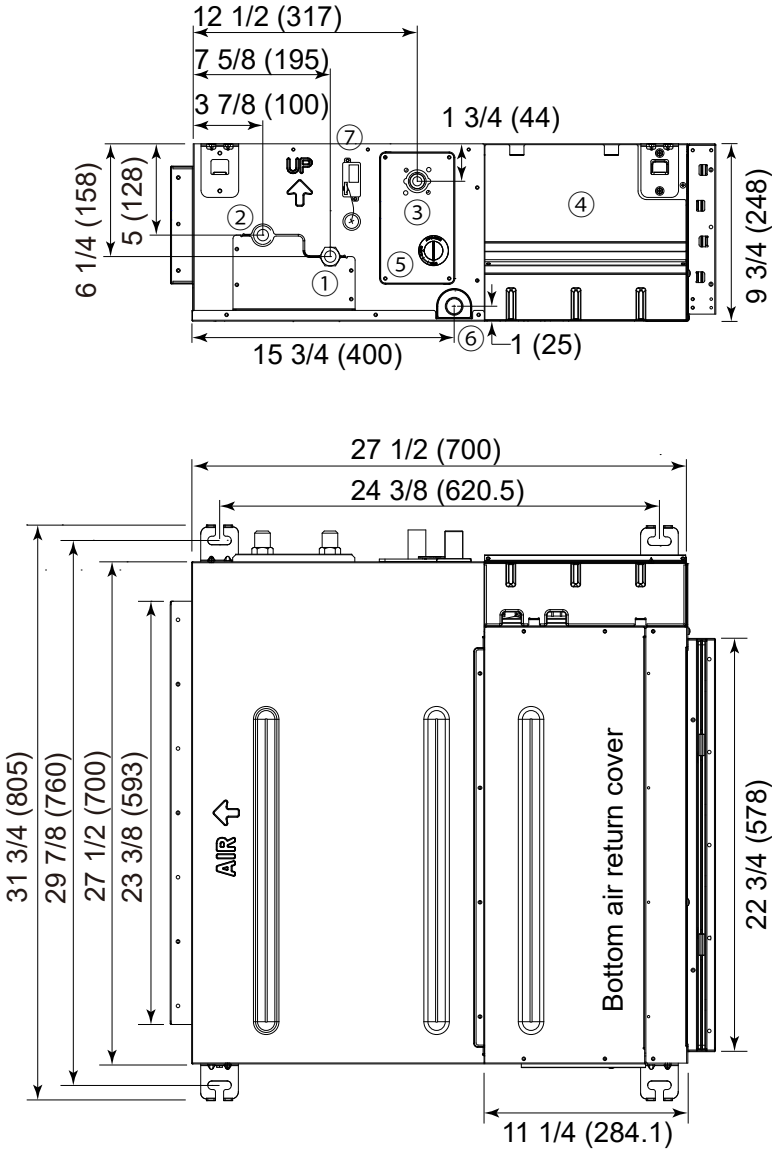
Uncrated Dimension (HxWxD)	9 3/4 x 27 1/2 x 27 1/2 in (248 x 700 x 700 mm)
Crated (HxWxD)	13 1/4 x 37 1/2 x 35 1/2 in (340 x 950 x 900 mm)
Maximum ESP (IWC)	0.6
Airflow CFM (Turbo/High/Med/Low)	494/423/352/264
Indoor Sound Level dB (Turbo/High/Med/Low)	35/32/29/26
Motor Rating (HP)	0.18
Heat Exchanger Fin Type	Blue Fin
Condensate Pump	Included - 39 in. Lift
Weight (Ship/Net)	57/66 lbs



For more information visit us:
www.Haierductless.com
www.Haierductlesshelp.com

12000 BTU/HR MID-STATIC DUCTED INDOOR

USYM12UCDSA



#	Description
1	Liquid pipe connection
2	Vapor pipe connection
3	Drain pump outlet
4	Control board cover
5	Inspection hole
6	Gravity drain outlet
7	WiFi module

Haier Arctic Multi Series Submittal

18000 BTU/HR MID-STATIC DUCTED INDOOR

USYM18UCDSA

Job Name: _____

Purchaser: _____

Submitted To: _____

Construction: _____

Reference: _____

Approval: _____

Date: _____

Submitted By: _____

Unit: _____

Drawing #: _____



Electrical Requirement

Power Supply	208/230V, 1 Phase, 60 HZ
Operating Voltage Range	187~253 VAC

Performance

Rated Cooling Capacity	18,000 BTU
Rated Heating Capacity	19,000 BTU

Piping

Flare Connections	Liquid: 1/4" Vapor: 3/8"
Drain Pipe	1 1/4"

Accessories

Wired Controller

Controller must be ordered separately. Compatible with QACT17A and YR-E16B

Built-in WiFi

Indoor Unit

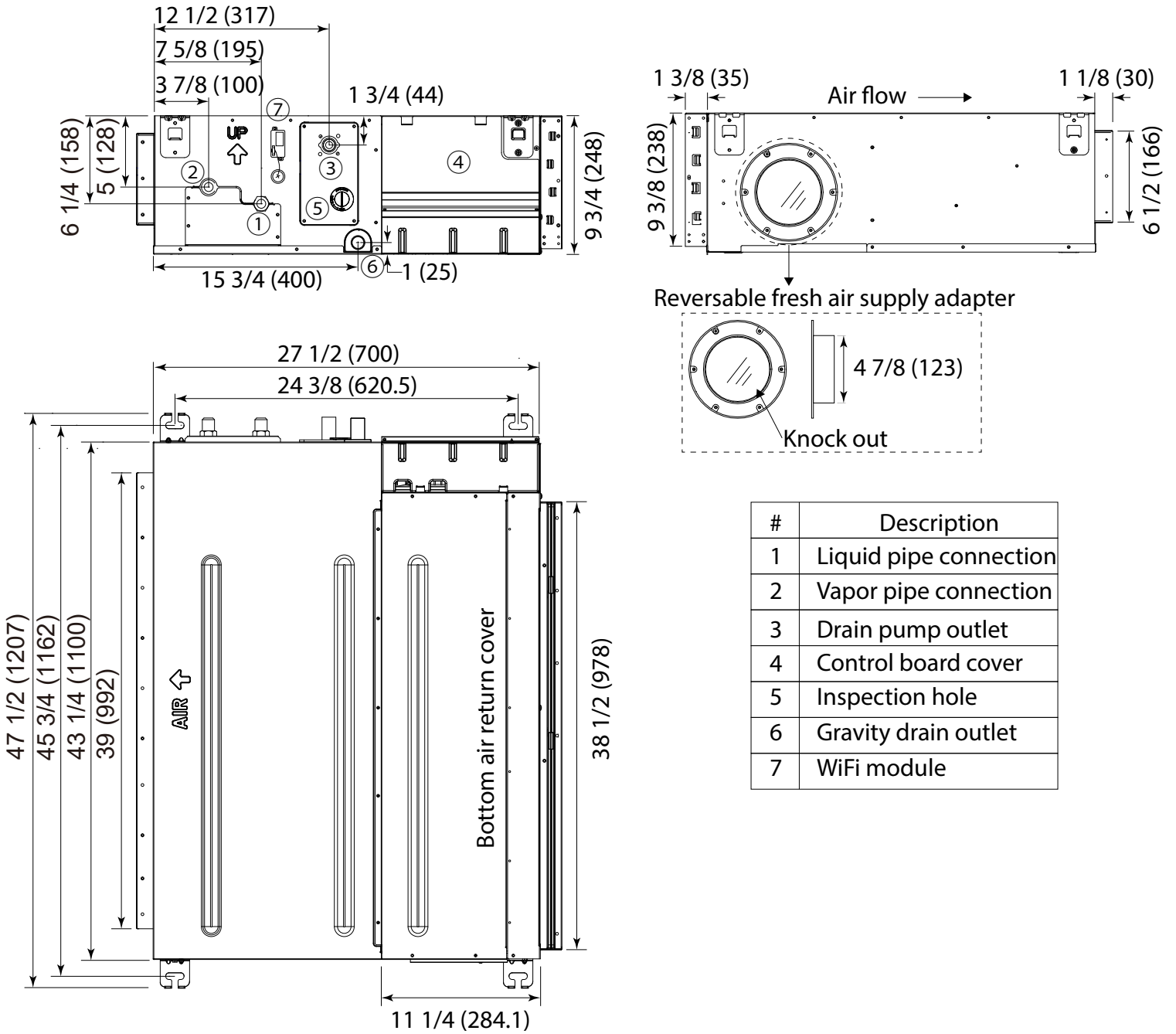
Uncrated Dimension (HxWxD)	9 3/4 x 43 1/4 x 27 1/2 in (248 x 1100 x 700 mm)
Crated (HxWxD)	13 1/2 x 46 x 33 3/4 in (340 x 1170 x 860 mm)
Maximum ESP (IWC)	0.6
Airflow CFM (Turbo/High/Med/Low)	635/529/458/388
Indoor Sound Level dB (Turbo/High/Med/Low)	37/34/32/29
Heat Exchanger Fin Type	Blue Fin
Motor Rating (HP)	0.27
Condensate Pump	Included - 39 in. Lift
Weight (Ship/Net)	70/77 lbs



For more information visit us:
www.Haierductless.com
www.Haierductlesshelp.com

18000 BTU/HR MID-STATIC DUCTED INDOOR

USYM18UCDSA



#	Description
1	Liquid pipe connection
2	Vapor pipe connection
3	Drain pump outlet
4	Control board cover
5	Inspection hole
6	Gravity drain outlet
7	WiFi module

Haier Arctic Multi Series Submittal

24000 BTU/HR MID-STATIC DUCTED INDOOR

USYM24UCDSA

Job Name: _____

Purchaser: _____

Submitted To: _____

Construction: _____

Reference: _____

Approval: _____

Date: _____

Submitted By: _____

Unit: _____

Drawing #: _____



Electrical Requirement

Power Supply	208/230V, 1 Phase, 60 HZ
Operating Voltage Range	187~253 VAC

Performance

Rated Cooling Capacity	24,000 BTU
Rated Heating Capacity	25,000 BTU

Piping

Flare Connections	Liquid: 3/8" Vapor: 5/8"
Drain Pipe	1 1/4"

Accessories

Wired Controller

Controller must be ordered separately. Compatible with QACT17A and YR-E16B

Built-in WiFi

Indoor Unit

Uncrated Dimension (HxWxD)	9 3/4 x 43 1/4 x 27 1/2 in (248 x 1100 x 700 mm)
Crated (HxWxD)	13 1/2 x 46 x 33 3/4 in (340 x 1170 x 860 mm)
Maximum ESP (IWC)	0.6
Airflow CFM (Turbo/High/Med/Low)	845/670/530/470
Indoor Sound Level dB (Turbo/High/Med/Low)	39/36/33/30
Motor Rating (HP)	0.27
Heat Exchanger Fin Type	Blue Fin
Condensate Pump	Included - 39 in. Lift
Weight (Ship/Net)	70/77 lbs

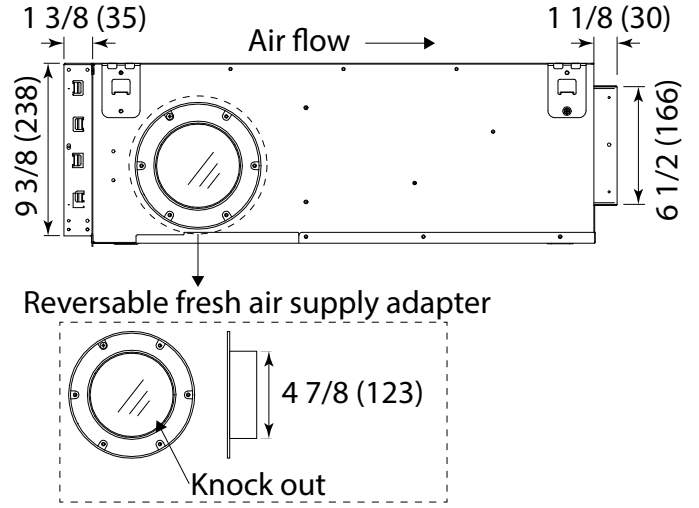
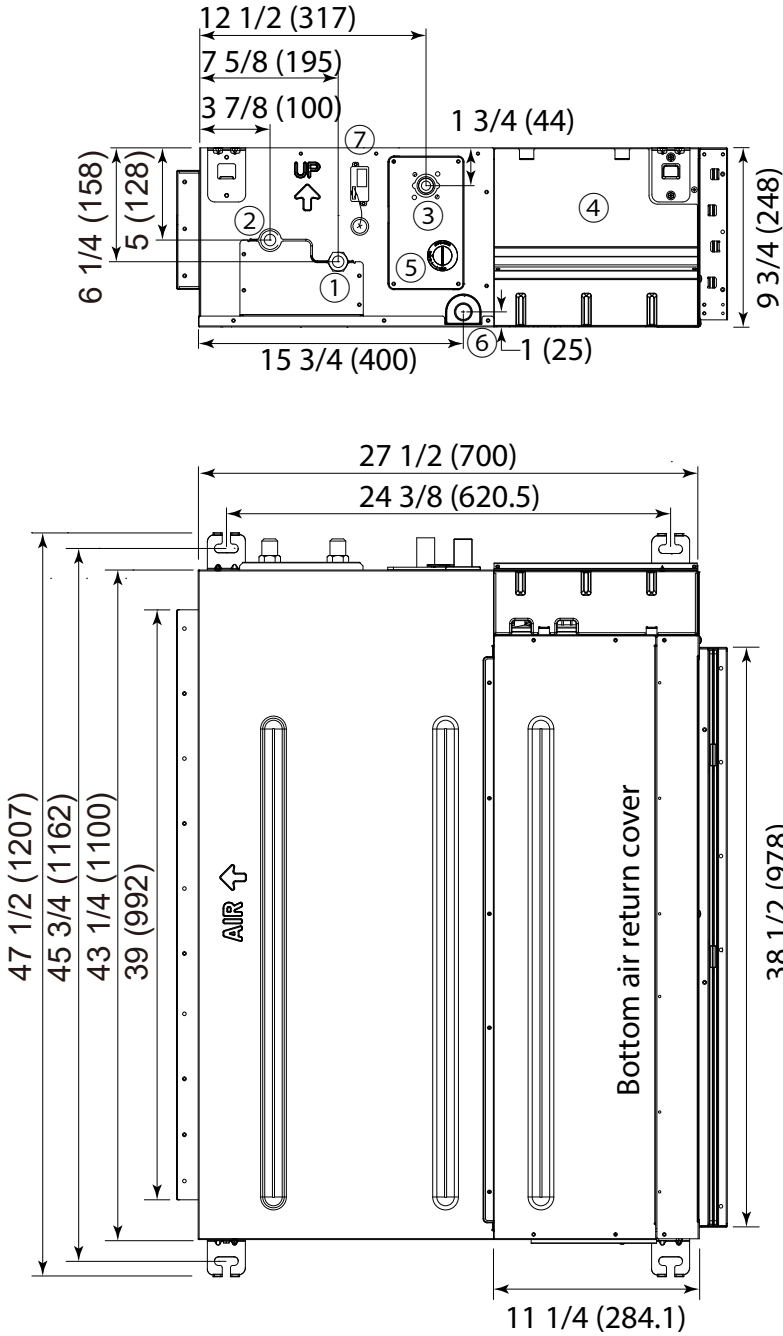


GE APPLIANCES
a Haier company

For more information visit us:
www.Haierductless.com
www.Haierductlesshelp.com

24000 BTU/HR MID-STATIC DUCTED INDOOR

USYM24UCDSA



#	Description
1	Liquid pipe connection
2	Vapor pipe connection
3	Drain pump outlet
4	Control board cover
5	Inspection hole
6	Gravity drain outlet
7	WiFi module

Haier Arctic Multi Series Submittal

9000 BTU/HR FLOOR CONSOLE INDOOR

USYF09UCDWA

Job Name: _____

Purchaser: _____

Submitted To: _____

Construction: _____

Reference: _____

Approval: _____

Date: _____

Submitted By: _____

Unit: _____

Drawing #: _____



Electrical Requirement	
Power Supply	208/230V, 1 Phase, 60 HZ
Operating Voltage Range	187~253 VAC

Performance	
Rated Cooling Capacity	9,000 BTU
Rated Heating Capacity	10,000 BTU

Piping	
Flare Connections	Liquid: 1/4" Vapor: 3/8"
Drain Pipe	5/8"

Indoor Unit	
Uncrated Dimension (HxWxD)	23 3/4 x 27 1/2 x 8 1/4 in (600 x 700 x 210 mm)
Crated (HxWxD)	27 1/2 x 30 3/4 x 12 in (695 x 783 x 303 mm)
Airflow CFM (Turbo/High/Med/Low)	264/235/205/176
Indoor Sound Level dB (Turbo/High/Med/Low)	40/32/25/20
Motor Rating (HP)	0.04
Heat Exchanger Fin Type	Blue Fin
Weight (Ship/Net)	36/40 lbs

Accessories

Remote Controller

Ships with WJ01X24721 (YR-HG)

Wired Controller

Compatible with wired controllers YR-E16B and QACT17A

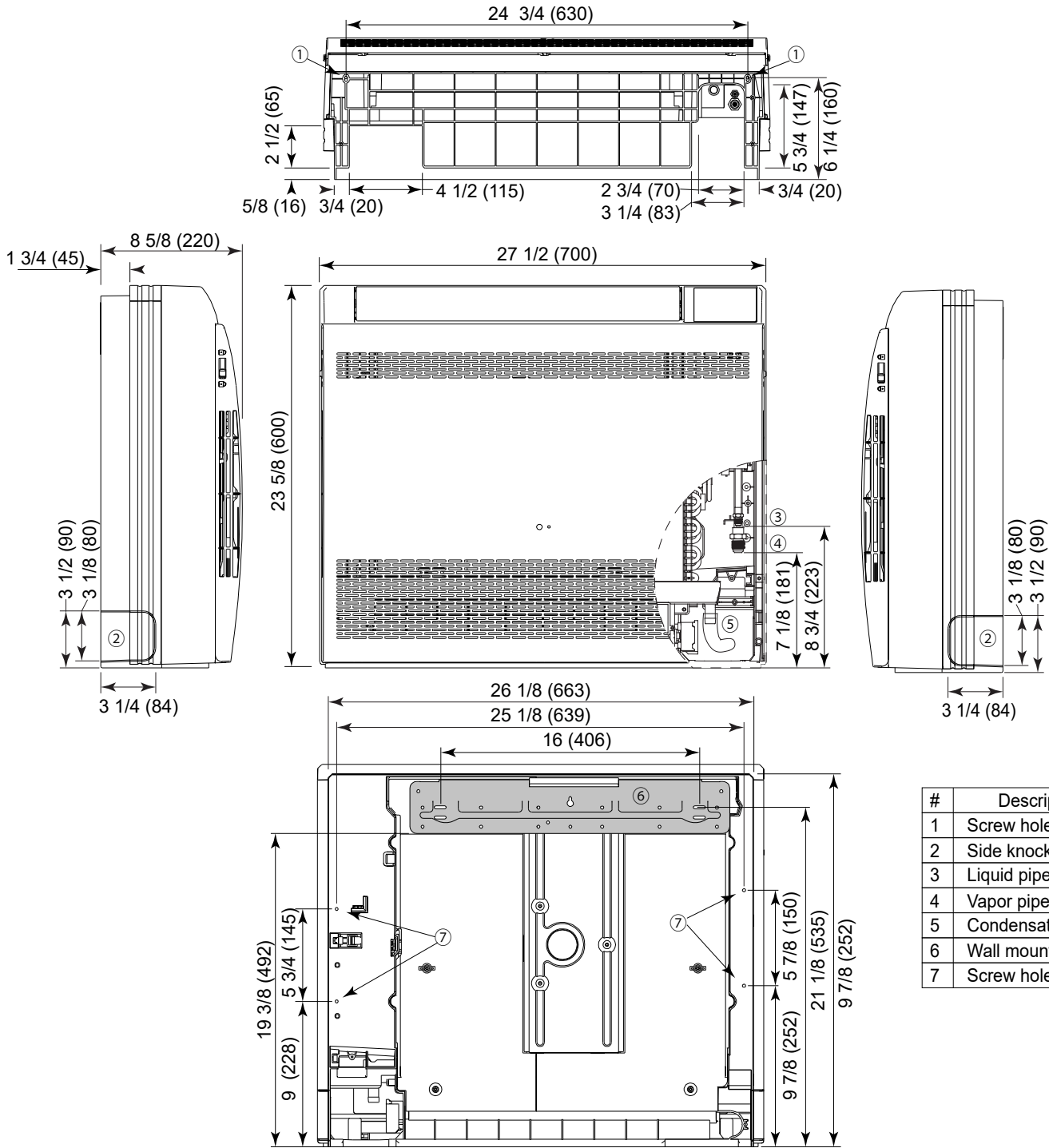
Built-in WiFi



For more information visit us:
www.Haierductless.com
www.Haierductlesshelp.com

9000 BTU/HR FLOOR CONSOLE INDOOR

USYF09UCDWA



#	Description
1	Screw holes for floor install
2	Side knockout
3	Liquid pipe connection
4	Vapor pipe connection
5	Condensate drain
6	Wall mounting plate
7	Screw holes for wall install

Haier Arctic Multi Series Submittal

12000 BTU/HR FLOOR CONSOLE INDOOR

USYF12UCDWA

Job Name: _____

Purchaser: _____

Submitted To: _____

Construction: _____

Reference: _____

Approval: _____

Date: _____

Submitted By: _____

Unit: _____

Drawing #: _____



Indoor Unit	
Uncrated Dimension (HxWxD)	23 3/4 x 27 1/2 x 8 1/4 in (600 x 700 x 210 mm)
Crated (HxWxD)	27 1/2 x 30 3/4 x 12 in (695 x 783 x 303 mm)
Airflow CFM (Turbo/High/Med/Low)	294/264/235/176
Indoor Sound Level dB (Turbo/High/Med/Low)	42/34/26/21
Motor Rating (HP)	0.04
Heat Exchanger Fin Type	Blue Fin
Weight (Ship/Net)	36/40 lbs

Electrical Requirement

Power Supply	208/230V, 1 Phase, 60 HZ
Operating Voltage Range	187~253 VAC

Performance

Rated Cooling Capacity	12,000 BTU
Rated Heating Capacity	13,000 BTU

Piping

Flare Connections	Liquid: 1/4" Vapor: 3/8"
Drain Pipe	5/8"

Accessories

Remote Controller

Ships with WJ01X24721 (YR-HG)

Wired Controller

Compatible with wired controllers YR-E16B and QACT17A

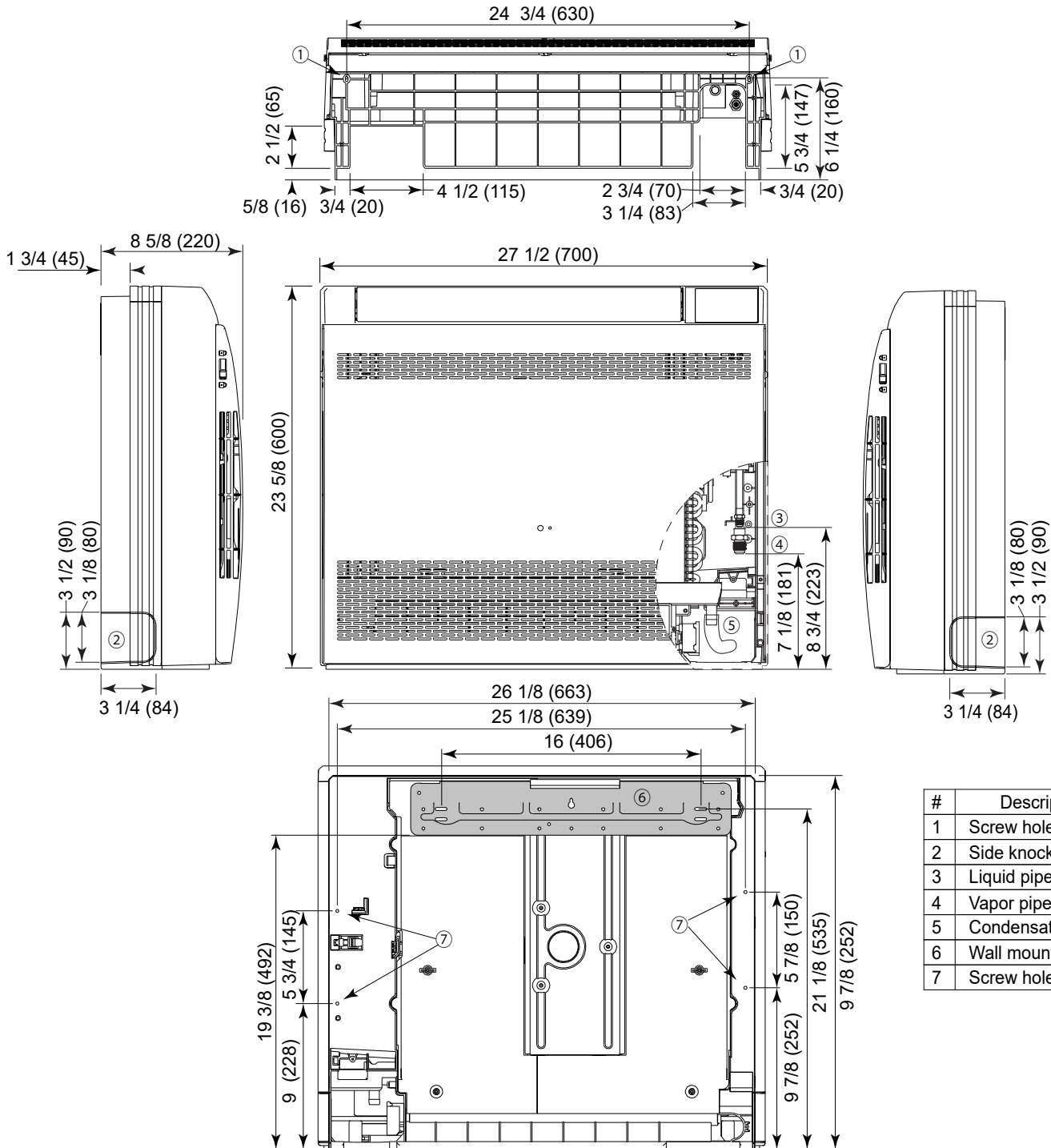
Built-in WiFi



For more information visit us:
www.Haierductless.com
www.Haierductlesshelp.com

12000 BTU/HR FLOOR CONSOLE INDOOR

USYF12UCDWA



#	Description
1	Screw holes for floor install
2	Side knockout
3	Liquid pipe connection
4	Vapor pipe connection
5	Condensate drain
6	Wall mounting plate
7	Screw holes for wall install

Haier Arctic Multi Series Submittal

15000 BTU/HR FLOOR CONSOLE INDOOR

USYF15UCDWA

Job Name: _____

Purchaser: _____

Submitted To: _____

Construction: _____

Reference: _____

Approval: _____

Date: _____

Submitted By: _____

Unit: _____

Drawing #: _____



Electrical Requirement

Power Supply	208/230V, 1 Phase, 60 HZ
Operating Voltage Range	187~253 VAC

Performance

Rated Cooling Capacity	15,000 BTU
Rated Heating Capacity	18,000 BTU

Piping

Flare Connections	Liquid: 1/4" Vapor: 3/8"
Drain Pipe	5/8"

Indoor Unit

Uncrated Dimension (HxWxD)	23 3/4 x 27 1/2 x 8 1/4 in (600 x 700 x 210 mm)
Crated (HxWxD)	27 1/2 x 30 3/4 x 12 in (695 x 783 x 303 mm)
Airflow CFM (Turbo/High/Med/Low)	341/311/282/252
Indoor Sound Level dB (Turbo/High/Med/Low)	46/37/33/28
Motor Rating (HP)	0.04
Heat Exchanger Fin Type	Blue Fin
Weight (Ship/Net)	36/40 lbs

Accessories

Remote Controller

Ships with WJ01X24721 (YR-HG)

Wired Controller

Compatible with wired controllers YR-E16B and QACT17A

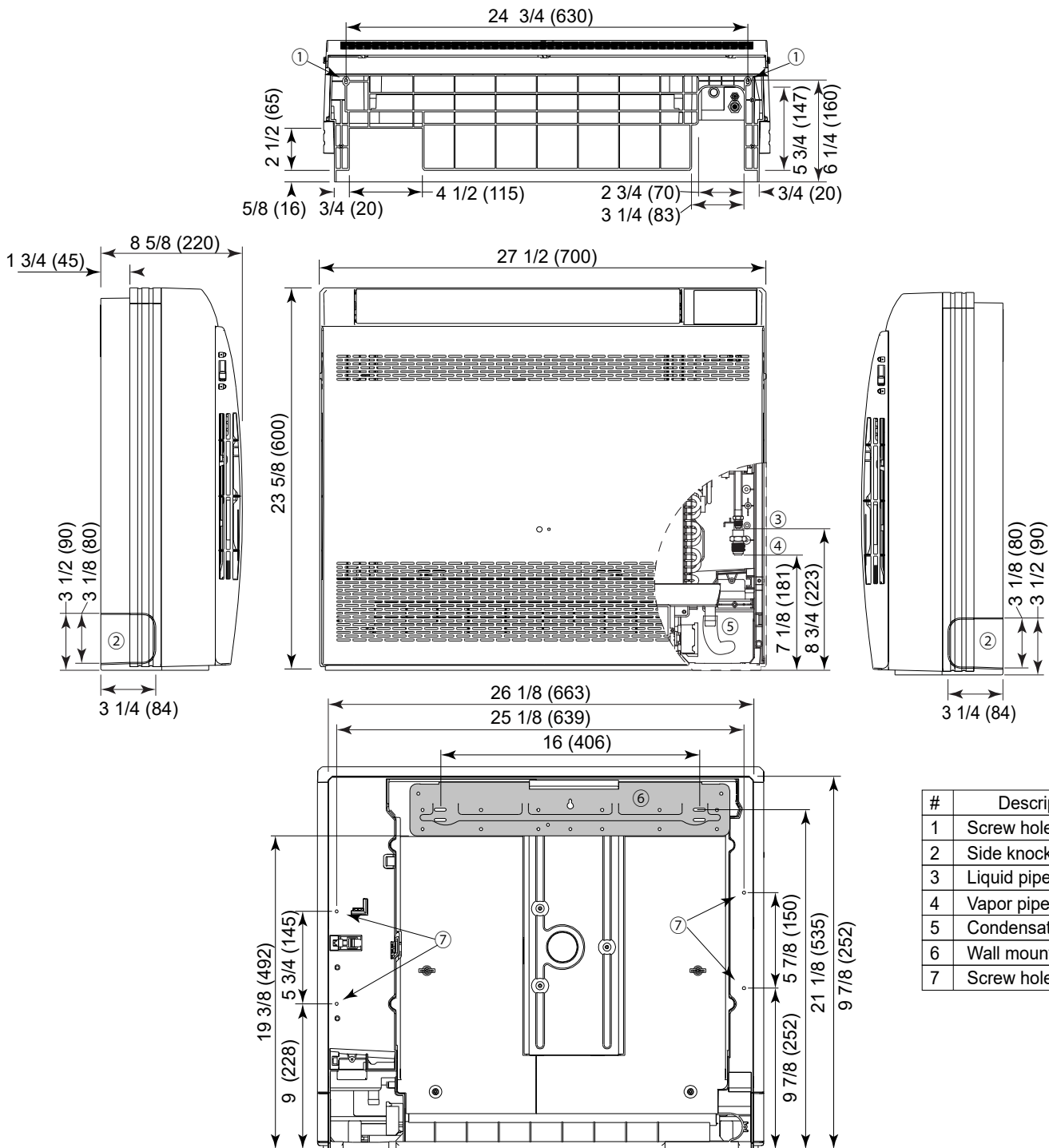
Built-in WiFi



For more information visit us:
www.Haierductless.com
www.Haierductlesshelp.com

15000 BTU/HR FLOOR CONSOLE INDOOR

USYF15UCDWA



#	Description
1	Screw holes for floor install
2	Side knockout
3	Liquid pipe connection
4	Vapor pipe connection
5	Condensate drain
6	Wall mounting plate
7	Screw holes for wall install