

Haier

Submittals

Tempo Series

Rev. Feb. 2021



1U09TE1VHA / AW09TE1VHA

1U09TE2VHA / AW09TE2VHA

1U12TE1VHA / AW12TE1VHA

1U12TE2VHA / AW12TE2VHA

1U18TE2VHA / AW18TE2VHA

1U24TE2VHA / AW24TE2VHA



For more information visit us:
www.Haierductless.com
www.Haierductlesshelp.com

Revision History

Rev. April 2017 - Edition release

Rev. April 2018 - Minimum pipe length, motor rating added.

Rev. May 2019 - Accessories & electrical requirement update.

Rev. June 2020 - Accessories update.

Rev. July 2020 - Added ODU floor mounting dimensions diagrams.

Rev. Aug. 2020 - Controller updates.

Rev. Feb. 2021 - Added 208/230V 9K and 12K units, accessory tables.

Haier Tempo Submittal

9,000 BTU 16 SEER Wall Mount Single-Zone Heat Pump System

1U09TE1VHA / AW09TE1VHA

Job Name: _____

Purchaser: _____

Submitted To: _____

Construction: _____

Reference: _____

Approval: _____

Date: _____

Submitted By: _____

Unit: _____

Drawing #: _____



Accessories		
Controller	Model/Part Number	Note
Ships with	Standard Remote Control (WJ01X24721)	
Compatible Controllers	Simplified Wired Controller (QACT17A)	Requires WK-B kit
	Programmable Wired Controller (YR-E16B)	Requires WK-B kit
WiFi Module	QAWF01A	
Wind Baffle	QAWB41A	

Electrical Requirement	
Power Supply	115V, 1 Phase, 60 HZ
Operating Voltage Range	104-127 VAC
Recommended Fuse/Breaker Size	20A
MCA	18A

Connecting cable to indoor units must be 14/4 AWG unshielded stranded copper. Cable must be ran continuous, without splicing.

Operating Range	
Cooling with Wind Baffle	14~115°F (-10~46°C)
Cooling Without Wind Baffle	23~115°F (-5~46°C)
Heating	-4~75°F (-20~24°C)

Cooling Performance	
Rated Cooling Capacity	9,000 BTU
Cooling Capacity Range	3,800~12,000 BTU
Rated Power input	810 W
SEER	16.0
EER	11.0

Heating Performance	
Rated Heating Capacity	10,000 BTU
Heating Capacity Range	4,100~12,000 BTU
HSPF	9.0

Pipe Length		
Minimum Pipe Length	6 ft	
Maximum Pipe Length	66 ft	
Maximum Pipe Height Difference	33 ft	
Flare Connections	Liquid	1/4"
	Vapor	3/8"



For more information visit us:
www.Haierductless.com
www.Haierductlesshelp.com



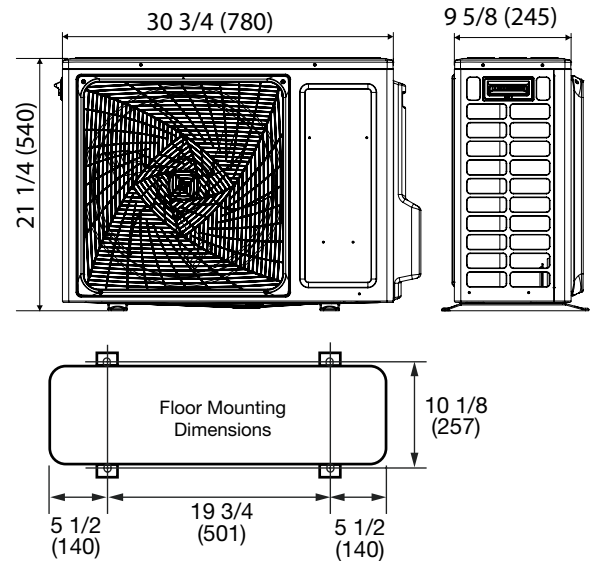
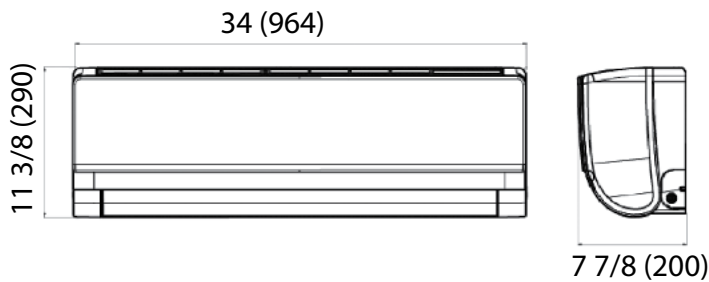
Haier Tempo Submittal

9,000 BTU 16 SEER Wall Mount Single-Zone Heat Pump System

1U09TE1VHA / AW09TE1VHA

Indoor Unit	
Uncrated Dimension (HxWxD)	11 3/8 x 34 x 7 7/8 in (290 x 864 x 200 mm)
Crated (HxWxD)	14 x 37 1/2 x 11 in (355 x 954 x 279 mm)
Airflow CFM (Turbo/High/Med/Low/Quiet)	305/295/280/265/240
Indoor Sound Level dB (Turbo/High/Med/Low/Quiet)	39/37/33/28/23
Motor Rating (HP)	0.064
Heat Exchanger Fin Type	Blue Fin
Weight (Ship/Net)	24.7/19.9 lbs

Outdoor Unit	
Compressor	DC inverter Driven Rotary
Uncrated Dimension (HxWxD)	21 1/4 x 30 3/4 x 9 5/8 in (540 x 780 x 245 mm)
Crated (HxWxD)	24 3/8 x 36 1/4 x 13 7/8 in (620 x 920 x 351 mm)
Outdoor Sound Rating dB	47
Heat Exchanger Fin Type	Blue Fin
Weight (Ship/Net)	66.1/58.4 lbs
Factory Refrigerant Charge	R-410A (26.5 oz)



Heating Capacity Data

Outdoor Air Temp DB	Indoor Set Temperature								
	60°F (16°C)			70°F (21°C)			77°F (25°C)		
	Maximum Capacity (Btu/h)	Power Usage (w)	COP	Maximum Capacity (Btu/h)	Power Usage (w)	COP	Maximum Capacity (Btu/h)	Power Usage (w)	COP
-4°F (-20°C)	5,520	1,040	1.56	5,310	1,110	1.40	4,990	1,170	1.25
5°F (-15°C)	7,270	1,000	2.13	6,920	1,060	1.91	6,570	1,120	1.72
17°F (-8°C)	8,050	700	3.37	7,590	740	3.01	7,290	780	2.74
47°F (8°C)	12,420	870	4.18	11,500	950	3.55	10,580	1,030	3.01

Capacity and power usage are measured under the assumption of indoor humidity of 46%

Cooling Capacity Data

Outdoor Air Temp DB	Indoor Set Temperature								
	70°F (21°C)			75°F (24°C)			80°F (27°C)		
	Maximum Capacity (Btu/h)	Power Usage (w)	EER	Maximum Capacity (Btu/h)	Power Usage (w)	EER	Maximum Capacity (Btu/h)	Power Usage (w)	EER
14°F (-10°C)	7,490	250	8.78	7,740	250	9.07	8,320	260	9.38
32°F (0°C)	7,490	260	8.44	7,740	260	8.72	8,320	280	8.71
50°F (10°C)	7,490	270	8.13	7,740	270	8.40	8,320	280	8.71
65°F (18°C)	8,590	670	3.76	8,870	680	3.82	9,540	700	3.99
75°F (24°C)	9,250	680	3.99	9,560	700	4.00	10,280	720	4.18
85°F (29°C)	10,160	710	4.19	10,500	730	4.21	11,290	750	4.41
95°F (35°C)	8,690	760	3.35	8,970	780	3.37	9,650	800	3.53
105°F (41°C)	8,340	770	3.17	8,620	790	3.20	9,270	810	3.35
115°F (46°C)	5,970	390	4.49	6,170	400	4.52	6,630	420	4.63

Capacity and power usage are measured under the assumption of indoor humidity of 46%

Haier Tempo Submittal

9,000 BTU 16 SEER Wall Mount Single-Zone Heat Pump System

1U09TE2VHA / AW09TE2VHA

Job Name: _____

Purchaser: _____

Submitted To: _____

Construction: _____

Reference: _____

Approval: _____

Date: _____

Submitted By: _____

Unit: _____

Drawing #: _____



Electrical Requirement

Power Supply	208/230V, 1 Phase, 60 HZ
Operating Voltage Range	187~253 VAC
Recommended Fuse/Breaker Size	15A
MCA	12A

Connecting cable to indoor units must be 14/4 AWG unshielded stranded copper. Cable must be ran continuous, without splicing.

Operating Range

Cooling with Wind Baffle	-4~115°F (-20~46°C)
Cooling Without Wind Baffle	23~115°F (-5~46°C)
Heating	-4~75°F (-20~24°C)

Cooling Performance

Rated Cooling Capacity	9,000 BTU
Cooling Capacity Range	3,800~10,000 BTU
Rated Power input	800 W
SEER	18.0
EER	11.0

Heating Performance

Rated Heating Capacity	10,000 BTU
Heating Capacity Range	4,100~11,000 BTU
HSPF	10.0

Pipe Length

Minimum Pipe Length	6 ft	
Maximum Pipe Length	66 ft	
Maximum Pipe Height Difference	33 ft	
Flare Connections	Liquid	1/4"
	Vapor	3/8"

Accessories

Controller	Model/Part Number	Note
Ships with	Standard Remote Control (WJ01X24721)	
Compatible Controllers	Simplified Wired Controller (QACT17A)	Requires WK-B kit
	Programmable Wired Controller (YR-E16B)	Requires WK-B kit
WiFi Module	N/A (Embedded)	
Wind Baffle	QAWB41A	



For more information visit us:
www.Haierductless.com
www.Haierductlesshelp.com



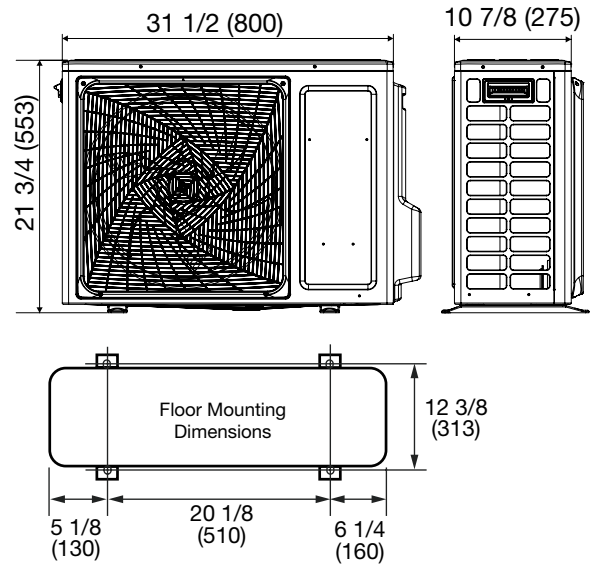
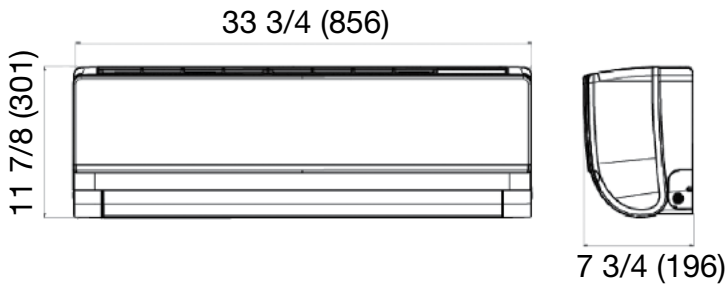
Haier Tempo Submittal

9,000 BTU 16 SEER Wall Mount Single-Zone Heat Pump System

1U09TE2VHA / AW09TE2VHA

Indoor Unit	
Uncrated Dimension (HxWxD)	11 7/8 x 33 3/4 x 7 3/4 in (301 x 856 x 196 mm)
Crated (HxWxD)	15 3/8 x 37 1/2 x 11 1/8 in (389 x 952 x 283 mm)
Airflow CFM (Turbo/High/Med/Low/Quiet)	421/332/292/242/200
Indoor Sound Level dB (Turbo/High/Med/Low/Quiet)	42/36/33/29/26
Motor Rating (HP)	0.064
Heat Exchanger Fin Type	Blue Fin
Weight (Ship/Net)	26.9/21.2 lbs

Outdoor Unit	
Compressor	DC inverter Driven Rotary
Uncrated Dimension (HxWxD)	21 3/4 x 31 1/2 x 10 7/8 in (553 x 800 x 275 mm)
Crated (HxWxD)	25 3/8 x 37 1/2 x 16 1/8 in (645 x 954 x 409 mm)
Outdoor Sound Rating dB	48
Heat Exchanger Fin Type	Blue Fin
Weight (Ship/Net)	76.1/63.5 lbs
Factory Refrigerant Charge	R-410A (32.8 oz)



Heating Capacity Data

Outdoor Air Temp DB	Indoor Set Temperature								
	60°F (16°C)			70°F (21°C)			77°F (25°C)		
	Maximum Capacity (Btu/h)	Power Usage (w)	COP	Maximum Capacity (Btu/h)	Power Usage (w)	COP	Maximum Capacity (Btu/h)	Power Usage (w)	COP
-4°F (-20°C)	5,500	980	1.64	5,000	1,000	1.46	4,500	1,020	1.29
5°F (-15°C)	6,500	960	1.98	6,000	980	1.79	5,500	1,000	1.61
17°F (-8°C)	8,000	890	2.63	7,500	910	2.41	7,000	930	2.21
47°F (8°C)	11,500	830	4.06	11,000	850	3.79	10,500	870	3.54

Capacity and power usage are measured under the assumption of indoor humidity of 46%

Cooling Capacity Data

Outdoor Air Temp DB	Indoor Set Temperature								
	70°F (21°C)			75°F (24°C)			80°F (27°C)		
	Maximum Capacity (Btu/h)	Power Usage (w)	EER	Maximum Capacity (Btu/h)	Power Usage (w)	EER	Maximum Capacity (Btu/h)	Power Usage (w)	EER
-4°F (-20°C)*	7,600	320	6.96	7,850	330	6.97	8,330	340	7.18
14°F (-10°C)*	7,590	320	6.95	7,840	330	6.96	8,330	340	7.18
23°F (5°C)	7,590	350	6.35	7,800	350	6.53	8,325	380	6.42
32°F (0°C)	7,590	380	5.85	7,790	390	5.85	8,320	400	6.09
50°F (10°C)	7,690	450	5.01	7,890	460	5.03	8,320	470	5.19
65°F (18°C)	8,690	670	3.80	8,970	690	3.81	9,540	720	3.88
75°F (24°C)	9,350	690	3.97	9,560	720	3.89	10,280	740	4.07
85°F (29°C)	11,000	900	3.58	11,500	920	3.66	12,000	940	3.74
95°F (35°C)	10,000	1,000	2.93	10,500	1,020	3.02	11,000	1,040	3.10
105°F (41°C)	8,340	770	3.17	8,620	790	3.20	9,270	810	3.35
115°F (46°C)	5,970	390	4.49	6,170	400	4.52	6,630	420	4.63

Capacity and power usage are measured under the assumption of indoor humidity of 46%

* Cooling Capacity under low ambient temperature below 23°F (-5°C) are tested when using wind baffle on outdoor unit

Haier Tempo Submittal

12,000 BTU 16 SEER Wall Mount Single-Zone Heat Pump System

1U12TE1VHA / AW12TE1VHA

Job Name: _____

Purchaser: _____

Submitted To: _____

Construction: _____

Reference: _____

Approval: _____

Date: _____

Submitted By: _____

Unit: _____

Drawing #: _____



Accessories		
Controller	Model/Part Number	Note
Ships with	Standard Remote Control (WJ01X24721)	
Compatible Controllers	Simplified Wired Controller (QACT17A)	Requires WK-B kit
	Programmable Wired Controller (YR-E16B)	Requires WK-B kit
WiFi Module	QAWF01A	
Wind Baffle	QAWB41A	

Electrical Requirement	
Power Supply	115V, 1 Phase, 60 HZ
Operating Voltage Range	104-127 VAC
Recommended Fuse/Breaker Size	20A
MCA	18A

Connecting cable to indoor units must be 14/4 AWG unshielded stranded copper. Cable must be ran continuous, without splicing.

Operating Range	
Cooling with Wind Baffle	-4~115°F (-20~46°C)
Cooling Without Wind Baffle	23~115°F (-5~46°C)
Heating	-4~75°F (-20~24°C)

Cooling Performance	
Rated Cooling Capacity	12,000 BTU
Cooling Capacity Range	4,100~12,500 BTU
Rated Power input	1,200 W
SEER	16.0
EER	11.0

Heating Performance	
Rated Heating Capacity	12,000 BTU
Heating Capacity Range	4,500~16,000 BTU
HSPF	9.0

Pipe Length		
Minimum Pipe Length	6 ft	
Maximum Pipe Length	66 ft	
Maximum Pipe Height Difference	33 ft	
Flare Connections	Liquid	1/4"
	Vapor	3/8"



For more information visit us:
www.Haierductless.com
www.Haierductlesshelp.com



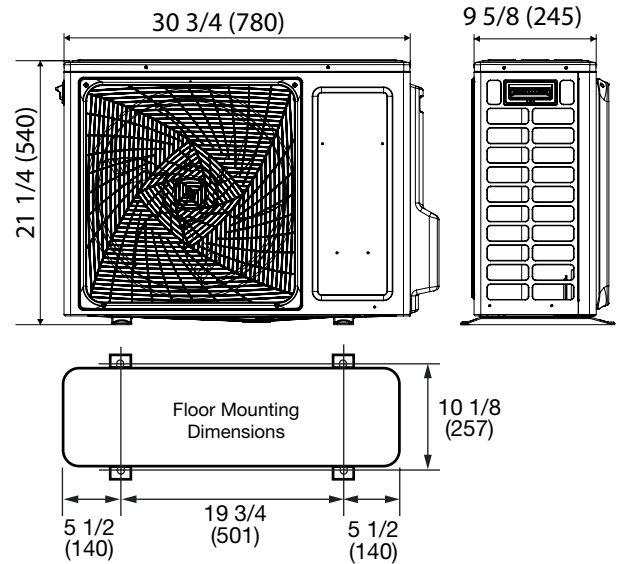
Haier Tempo Submittal

12,000 BTU 16 SEER Wall Mount Single-Zone Heat Pump System

1U12TE1VHA / AW12TE1VHA

Indoor Unit	
Uncrated Dimension (HxWxD)	11 3/8 x 34 x 7 7/8 in (290 x 864 x 200 mm)
Crated (HxWxD)	14 x 37 1/2 x 11 in (355 x 954 x 279 mm)
Airflow CFM (Turbo/High/Med/Low/Quiet)	310/300/287/275/245
Indoor Sound Level dB (Turbo/High/Med/Low/Quiet)	39/37/33/28/23
Motor Rating (HP)	0.064
Heat Exchanger Fin Type	Blue Fin
Weight (Ship/Net)	24.7/19.9 lbs

Outdoor Unit	
Compressor	DC inverter Driven Rotary
Uncrated Dimension (HxWxD)	21 1/4 x 30 3/4 x 9 5/8 in (540 x 780 x 245 mm)
Crated (HxWxD)	24 3/8 x 36 1/4 x 13 7/8 in (620 x 920 x 351 mm)
Outdoor Sound Rating dB	50
Heat Exchanger Fin Type	Blue Fin
Weight (Ship/Net)	71.7/63.9 lbs
Factory Refrigerant Charge	R-410A (35.3 oz)



Heating Capacity Data

Outdoor Air Temp DB	Indoor Set Temperature								
	60°F (16°C)			70°F (21°C)			77°F (25°C)		
	Maximum Capacity (Btu/h)	Power Usage (w)	COP	Maximum Capacity (Btu/h)	Power Usage (w)	COP	Maximum Capacity (Btu/h)	Power Usage (w)	COP
-4°F (-20°C)	7,380	1,320	1.64	7,100	1,400	1.49	6,670	1,470	1.33
5°F (-15°C)	9,380	1,270	2.16	8,930	1,350	1.94	8,480	1,430	1.74
17°F (-8°C)	11,870	890	3.91	11,200	950	3.45	10,750	1,010	3.12
47°F (8°C)	14,930	1,040	4.21	13,820	1,130	3.58	12,710	1,220	3.05

Capacity and power usage are measured under the assumption of indoor humidity of 46%

Cooling Capacity Data

Outdoor Air Temp DB	Indoor Set Temperature								
	70°F (21°C)			75°F (24°C)			80°F (27°C)		
	Maximum Capacity (Btu/h)	Power Usage (w)	EER	Maximum Capacity (Btu/h)	Power Usage (w)	EER	Maximum Capacity (Btu/h)	Power Usage (w)	EER
14°F (-10°C)	9,940	330	8.83	9,940	340	8.57	10,800	350	9.04
32°F (0°C)	9,940	350	8.32	10,800	370	8.55	11,450	390	8.60
50°F (10°C)	9,720	370	7.70	10,800	380	8.33	11,450	400	8.39
65°F (18°C)	10,250	930	3.23	10,590	950	3.27	11,390	980	3.41
75°F (24°C)	11,740	990	3.47	12,130	1,020	3.48	13,040	1,050	3.64
85°F (29°C)	12,830	1,050	3.58	13,260	1,070	3.63	14,260	1,110	3.76
95°F (35°C)	11,720	1,110	3.09	12,110	1,130	3.14	13,020	1,160	3.29
105°F (41°C)	11,120	1,160	2.81	11,490	1,190	2.83	12,360	1,220	2.97
115°F (46°C)	7,960	620	3.76	8,230	630	3.83	8,850	650	3.99

Capacity and power usage are measured under the assumption of indoor humidity of 46%

Haier Tempo Submittal

12,000 BTU 16 SEER Wall Mount Single-Zone Heat Pump System

1U12TE2VHA / AW12TE2VHA

Job Name: _____

Purchaser: _____

Submitted To: _____

Construction: _____

Reference: _____

Approval: _____

Date: _____

Submitted By: _____

Unit: _____

Drawing #: _____



Electrical Requirement

Power Supply	208/230V, 1 Phase, 60 HZ
Operating Voltage Range	187~253 VAC
Recommended Fuse/Breaker Size	15A
MCA	12A

Connecting cable to indoor units must be 14/4 AWG unshielded stranded copper. Cable must be ran continuous, without splicing.

Operating Range

Cooling with Wind Baffle	-4~115°F (-20~46°C)
Cooling Without Wind Baffle	23~115°F (-5~46°C)
Heating	-4~75°F (-20~24°C)

Cooling Performance

Rated Cooling Capacity	12,000 BTU
Cooling Capacity Range	4,100~13,000 BTU
Rated Power input	1,100 W
SEER	18.0
EER	11.0

Heating Performance

Rated Heating Capacity	12,000 BTU
Heating Capacity Range	4,500~13,000 BTU
HSPF	10.0

Pipe Length

Minimum Pipe Length	6 ft	
Maximum Pipe Length	66 ft	
Maximum Pipe Height Difference	33 ft	
Flare Connections	Liquid	1/4"
	Vapor	3/8"

Accessories

Controller	Model/Part Number	Note
Ships with	Standard Remote Control (WJ01X24721)	
Compatible Controllers	Simplified Wired Controller (QACT17A)	Requires WK-B kit
	Programmable Wired Controller (YR-E16B)	Requires WK-B kit
WiFi Module	N/A (Embedded)	
Wind Baffle	QAWB41A	



For more information visit us:
www.Haierductless.com
www.Haierductlesshelp.com



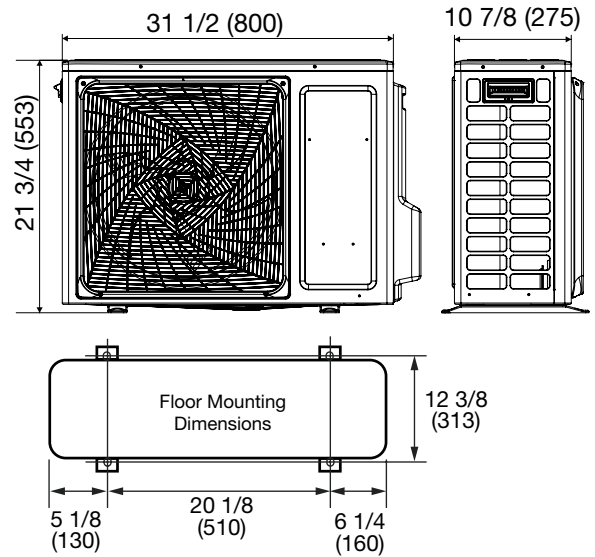
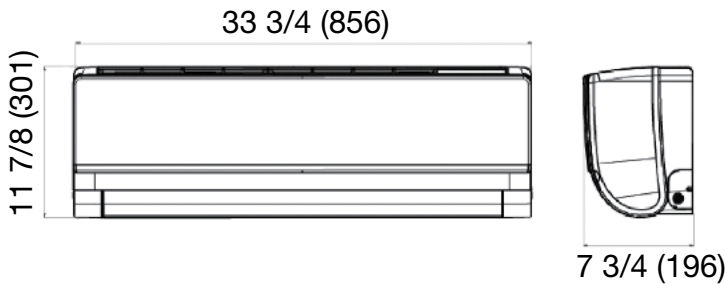
Haier Tempo Submittal

12,000 BTU 16 SEER Wall Mount Single-Zone Heat Pump System

1U12TE2VHA / AW12TE2VHA

Indoor Unit	
Uncrated Dimension (HxWxD)	11 7/8 x 33 3/4 x 7 3/4 in (301 x 856 x 196 mm)
Crated (HxWxD)	15 3/8 x 37 1/2 x 11 1/8 in (389 x 952 x 283 mm)
Airflow CFM (Turbo/High/Med/Low/Quiet)	426/360/310/265/200
Indoor Sound Level dB (Turbo/High/Med/Low/Quiet)	42/38/34/31/26
Motor Rating (HP)	0.064
Heat Exchanger Fin Type	Blue Fin
Weight (Ship/Net)	26.9/21.2 lbs

Outdoor Unit	
Compressor	DC inverter Driven Rotary
Uncrated Dimension (HxWxD)	21 3/4 x 31 1/2 x 10 7/8 in (553 x 800 x 275 mm)
Crated (HxWxD)	25 3/8 x 37 1/2 x 16 1/8 in (645 x 954 x 409 mm)
Outdoor Sound Rating dB	50
Heat Exchanger Fin Type	Blue Fin
Weight (Ship/Net)	82.2/69.7 lbs
Factory Refrigerant Charge	R-410A (40.6 oz)



Heating Capacity Data

Outdoor Air Temp DB	Indoor Set Temperature								
	60°F (16°C)			70°F (21°C)			77°F (25°C)		
	Maximum Capacity (Btu/h)	Power Usage (w)	COP	Maximum Capacity (Btu/h)	Power Usage (w)	COP	Maximum Capacity (Btu/h)	Power Usage (w)	COP
-4°F (-20°C)	8,000	1,300	1.80	7,500	1,320	1.66	7,000	1,340	1.53
5°F (-15°C)	9,000	1,280	2.06	8,500	1,300	1.92	8,000	1,320	1.78
17°F (-8°C)	10,500	1,080	2.85	10,000	1,100	2.66	9,500	1,120	2.49
47°F (8°C)	13,000	1,030	3.70	12,500	1,050	3.49	12,000	1,070	3.29

Capacity and power usage are measured under the assumption of indoor humidity of 46%

Cooling Capacity Data

Outdoor Air Temp DB	Indoor Set Temperature								
	70°F (21°C)			75°F (24°C)			80°F (27°C)		
	Maximum Capacity (Btu/h)	Power Usage (w)	EER	Maximum Capacity (Btu/h)	Power Usage (w)	EER	Maximum Capacity (Btu/h)	Power Usage (w)	EER
-4°F (-20°C)*	9,950	445	6.55	10,200	450	6.64	10,800	460	6.88
14°F (-10°C)*	9,950	450	6.48	10,200	460	6.50	10,800	470	6.73
23°F (5°C)	9,950	500	5.83	10,500	500	6.15	11,000	500	6.45
32°F (0°C)	9,950	550	5.30	10,900	570	5.60	11,450	580	5.78
50°F (10°C)	9,960	630	4.63	10,900	650	4.91	11,450	670	5.01
65°F (18°C)	10,350	980	3.09	11,090	990	3.28	11,490	1,120	3.01
75°F (24°C)	11,840	1,050	3.30	12,330	1,070	3.38	12,300	1,090	3.31
85°F (29°C)	12,500	1,080	3.39	12,800	1,150	3.26	13,000	1,160	3.28
95°F (35°C)	12,000	1,100	3.20	12,200	1,160	3.08	12,500	1,170	3.13
105°F (41°C)	11,220	1,000	3.29	11,590	1,020	3.33	12,360	1,050	3.45
115°F (46°C)	8,060	670	3.52	8,330	690	3.54	8,950	710	3.69

Capacity and power usage are measured under the assumption of indoor humidity of 46%

* Cooling Capacity under low ambient temperature below 23°F (-5°C) are tested when using wind baffle on outdoor unit

Haier Tempo Submittal

18,000 BTU 16 SEER Wall Mount Single-Zone Heat Pump System

1U18TE2VHA / AW18TE2VHA

Job Name: _____

Purchaser: _____

Submitted To: _____

Construction: _____

Reference: _____

Approval: _____

Date: _____

Submitted By: _____

Unit: _____

Drawing #: _____



Electrical Requirement

Power Supply	208/230V, 1 Phase, 60 HZ
Operating Voltage Range	187~253 VAC
Recommended Fuse/Breaker Size	20A
MCA	17A

Connecting cable to indoor units must be 14/4 AWG unshielded stranded copper. Cable must be ran continuous, without splicing.

Operating Range

Cooling with Wind Baffle	0~115°F (-18~46°C)
Cooling Without Wind Baffle	23~115°F (-5~46°C)
Heating	-4~75°F (-20~24°C)

Cooling Performance

Rated Cooling Capacity	18,000 BTU
Cooling Capacity Range	5,000~19,000 BTU
Rated Power input	1,650 W
SEER	16.0
EER	10.0

Heating Performance

Rated Heating Capacity	19,000 BTU
Heating Capacity Range	5,400~22,000 BTU
HSPF	9.0

Pipe Length

Minimum Pipe Length	6 ft	
Maximum Pipe Length	83 ft	
Maximum Pipe Height Difference	50 ft	
Flare Connections	Liquid	1/4"
	Vapor	1/2"

Accessories

Controller	Model/Part Number	Note
Ships with	Standard Remote Control (WJ01X24721)	
Compatible Controllers	Simplified Wired Controller (QACT17A)	Requires WK-B kit
	Programmable Wired Controller (YR-E16B)	Requires WK-B kit
WiFi Module	QAWF01A	
Wind Baffle	QAWB41A	



For more information visit us:
www.Haierductless.com
www.Haierductlesshelp.com

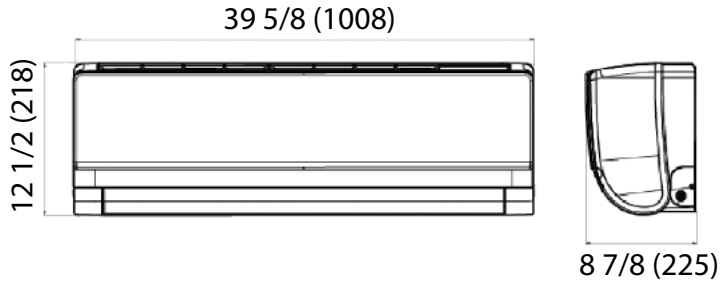


Haier Tempo Submittal

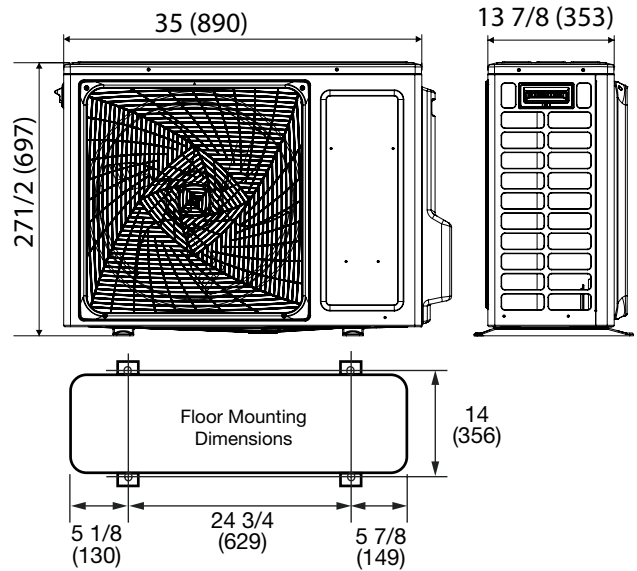
18,000 BTU 16 SEER Wall Mount Single-Zone Heat Pump System

1U18TE2VHA / AW18TE2VHA

Indoor Unit	
Uncrated Dimension (HxWxD)	12 1/2 x 39 5/8 x 8 7/8 in (318 x 1008 x 225 mm)
Crated (HxWxD)	15 7/8 x 42 3/4 x 13 in (403 x 1085 x 329 mm)
Airflow CFM (Turbo/High/Med/Low/Quiet)	545/530/505/475/460
Indoor Sound Level dB (Turbo/High/Med/Low/Quiet)	45/43/39/36/33
Motor Rating (HP)	0.064
Heat Exchanger Fin Type	Blue Fin
Weight (Ship/Net)	33/26.5 lbs



Outdoor Unit	
Compressor	DC inverter Driven Rotary
Uncrated Dimension (HxWxD)	27 1/2 x 35 x 13 7/8 in (697 x 890 x 353 mm)
Crated (HxWxD)	30 3/4 x 41 1/8 x 18 1/8 in (780 x 1046 x 460 mm)
Outdoor Sound Rating dB	56
Heat Exchanger Fin Type	Blue Fin
Weight (Ship/Net)	105.8/97 lbs
Factory Refrigerant Charge	R-410A (40.6 oz)



Heating Capacity Data

Outdoor Air Temp DB	Indoor Set Temperature								
	60°F (16°C)			70°F (21°C)			77°F (25°C)		
	Maximum Capacity (Btu/h)	Power Usage (w)	COP	Maximum Capacity (Btu/h)	Power Usage (w)	COP	Maximum Capacity (Btu/h)	Power Usage (w)	COP
-4°F (-20°C)	7,380	1,320	1.64	7,100	1,400	1.49	6,670	1,470	1.33
5°F (-15°C)	6,380	1,270	1.47	8,930	1,350	1.94	8,480	1,430	1.74
17°F (-8°C)	11,870	890	3.91	11,200	950	3.45	10,750	1,010	3.12
47°F (8°C)	14,930	1,040	4.21	13,820	1,130	3.58	12,710	1,220	3.05

Capacity and power usage are measured under the assumption of indoor humidity of 46%

Cooling Capacity Data

Outdoor Air Temp DB	Indoor Set Temperature								
	70°F (21°C)			75°F (24°C)			80°F (27°C)		
	Maximum Capacity (Btu/h)	Power Usage (w)	EER	Maximum Capacity (Btu/h)	Power Usage (w)	EER	Maximum Capacity (Btu/h)	Power Usage (w)	EER
14°F (-10°C)	9,940	330	8.83	9,940	340	8.57	10,800	350	9.04
32°F (0°C)	9,940	350	8.32	10,800	370	8.55	11,450	390	8.60
50°F (10°C)	9,720	370	7.70	10,800	380	8.33	11,450	400	8.39
65°F (18°C)	10,250	930	3.23	10,590	950	3.27	11,390	980	3.41
75°F (24°C)	11,740	990	3.47	12,130	1,020	3.48	13,040	1,050	3.64
85°F (29°C)	12,830	1,050	3.58	13,260	1,070	3.63	14,260	1,110	3.76
95°F (35°C)	11,720	1,110	3.09	12,110	1,130	3.14	13,020	1,160	3.29
105°F (41°C)	11,120	1,160	2.81	11,490	1,190	2.83	12,360	1,220	2.97
115°F (46°C)	7,960	620	3.76	8,230	630	3.83	8,850	650	3.99

Capacity and power usage are measured under the assumption of indoor humidity of 46%

Haier Tempo Submittal

24,000 BTU 16 SEER Wall Mount Single-Zone Heat Pump System

1U24TE2VHA / AW24TE2VHA

Job Name: _____

Purchaser: _____

Submitted To: _____

Construction: _____

Reference: _____

Approval: _____

Date: _____

Submitted By: _____

Unit: _____

Drawing #: _____



Electrical Requirement

Power Supply	208/230V, 1 Phase, 60 HZ
Operating Voltage Range	187~253 VAC
Recommended Fuse/Breaker Size	25A
MCA	19A

Connecting cable to indoor units must be 14/4 AWG unshielded stranded copper. Cable must be ran continuous, without splicing.

Operating Range

Cooling with Wind Baffle	0~115°F (-18~46°C)
Cooling Without Wind Baffle	23~115°F (-5~46°C)
Heating	-4~75°F (-20~24°C)

Cooling Performance

Rated Cooling Capacity	24,000 BTU
Cooling Capacity Range	6,500~26,000 BTU
Rated Power input	2,150 W
SEER	16.0
EER	10.0

Heating Performance

Rated Heating Capacity	26,000 BTU
Heating Capacity Range	6,800~28,000 BTU
HSPF	9.0

Pipe Length

Minimum Pipe Length	6 ft
Maximum Pipe Length	83 ft
Maximum Pipe Height Difference	50 ft
Flare Connections	Liquid 1/4"
	Vapor 1/2"

Accessories

Controller	Model/Part Number	Note
Ships with	Standard Remote Control (WJ01X24721)	
Compatible Controllers	Simplified Wired Controller (QACT17A)	Requires WK-B kit
	Programmable Wired Controller (YR-E16B)	Requires WK-B kit
WiFi Module	QAWF01A	
Wind Baffle	QAWB45A	



For more information visit us:
www.Haierductless.com
www.Haierductlesshelp.com



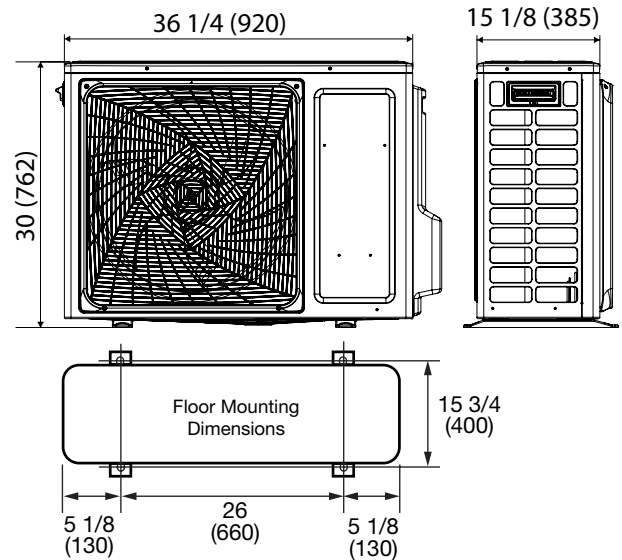
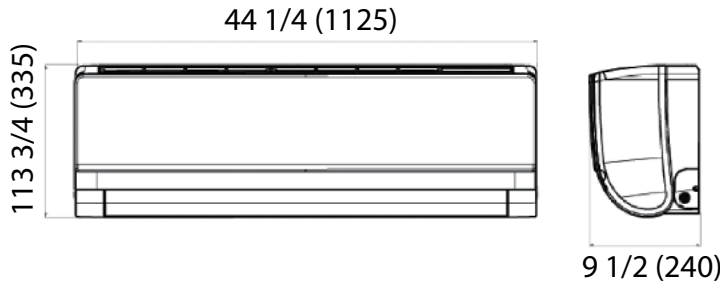
Haier Tempo Submittal

24,000 BTU 16 SEER Wall Mount Single-Zone Heat Pump System

1U24TE2VHA / AW24TE2VHA

Indoor Unit	
Uncrated Dimension (HxWxD)	13 1/4 x 44 1/4 x 9 1/2 in (335 x 1125 x 240 mm)
Crated (HxWxD)	16 1/2 x 47 1/2 x 13 1/2 in (418 x 1206 x 342 mm)
Airflow CFM (Turbo/High/Med/Low/Quiet)	665/650/610/570/555
Indoor Sound Level dB (Turbo/High/Med/Low/Quiet)	47/45/40/37/34
Motor Rating (HP)	0.094
Heat Exchanger Fin Type	Blue Fin
Weight (Ship/Net)	38.6/30.9 lbs

Outdoor Unit	
Compressor	DC inverter Driven Rotary
Uncrated Dimension (HxWxD)	30 x 36 1/4 x 15 1/8 in (762 x 920 x 385 mm)
Crated (HxWxD)	33 1/4 x 42 3/4 x 19 1/8 in (843 x 1085 x 487 mm)
Outdoor Sound Rating dB	53
Heat Exchanger Fin Type	Blue Fin
Weight (Ship/Net)	121.3/112.5 lbs
Factory Refrigerant Charge	R-410A (67 oz)



Heating Capacity Data

Outdoor Air Temp DB	Indoor Set Temperature								
	60°F (16°C)			70°F (21°C)			77°F (25°C)		
	Maximum Capacity (Btu/h)	Power Usage (w)	COP	Maximum Capacity (Btu/h)	Power Usage (w)	COP	Maximum Capacity (Btu/h)	Power Usage (w)	COP
-4°F (-20°C)	11,650	2,120	1.61	11,200	2,260	1.45	10,530	2,370	1.30
5°F (-15°C)	14,280	2,040	2.05	13,600	2,170	1.84	12,920	2,300	1.65
17°F (-8°C)	17,940	1,600	3.29	16,920	1,700	2.92	16,240	1,800	2.64
47°F (8°C)	21,760	1,650	3.86	20,150	1,790	3.30	18,540	1,930	2.81

Capacity and power usage are measured under the assumption of indoor humidity of 46%

Cooling Capacity Data

Outdoor Air Temp DB	Indoor Set Temperature								
	70°F (21°C)			75°F (24°C)			80°F (27°C)		
	Maximum Capacity (Btu/h)	Power Usage (w)	EER	Maximum Capacity (Btu/h)	Power Usage (w)	EER	Maximum Capacity (Btu/h)	Power Usage (w)	EER
14°F (-10°C)	15,680	590	7.79	16,200	600	7.91	17,420	620	8.23
32°F (0°C)	15,680	620	7.41	16,200	630	7.53	17,420	650	7.85
50°F (10°C)	15,680	340	13.51	16,200	640	7.42	18,110	710	7.47
65°F (18°C)	16,950	650	7.64	16,200	660	7.19	18,110	720	7.37
75°F (24°C)	18,370	1,640	3.28	18,990	1,680	3.31	20,420	1,730	3.46
85°F (29°C)	19,650	1,740	3.31	20,310	1,770	3.36	21,840	1,830	3.50
95°F (35°C)	18,550	1,830	2.97	19,170	1,870	3.00	20,620	1,920	3.15
105°F (41°C)	17,610	1,920	2.69	18,190	1,960	2.72	19,560	2,020	2.84
115°F (46°C)	12,610	1,030	3.59	13,030	1,050	3.64	14,010	1,080	3.80

Capacity and power usage are measured under the assumption of indoor humidity of 46%