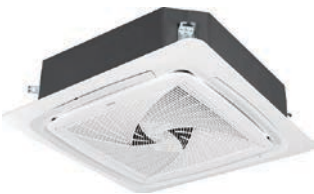


Haier

Submittals

MRV-S Series

Rev. April 2018



MVHP036MV2AA
MVHP048MV2AA
MVHP056MV2AA

MVAW007MV2AA
MVAW009MV2AA
MVAW012MV2AA
MVAW018MV2AA
MVAW024MV2AA
MVAW030MV2AA

MVAB009MV2AA
MVAB012MV2AA
MVAB018MV2AA

MVAL009MV2AA
MVAL012MV2AA
MVAL018MV2AA
MVAL024MV2AA
MVAL030MV2AA
MVAL036MV2AA
MVAL042MV2AA
MVAL048MV2AA

MVAD007MV2AA
MVAD009MV2AA
MVAD012MV2AA
MVAD018MV2AA
MVAD024MV2AA

MVAH018MV2AA
MVAH024MV2AA
MVAH030MV2AA
MVAH036MV2AA
MVAH042MV2AA
MVAH048MV2AA



For more information visit us:
www.Haierductless.com
www.Haierductlesshelp.com

Revision History

Rev. Oct 2017 - Submittal edition release.

Rev. April 2018 - Added Motor Ratings (all models), Condensate Pump Lift adjusted (MVAB009MV2AA, MVAB012MV2AA, MVAB018MV2AA, MVAL009MV2AA, MVAL012MV2AA, MVAL018MV2AA, MVAL024MV2AA, MVAL030MV2AA, MVAL036MV2AA, MVAL042MV2AA, MVAL048MV2AA, MVAD007MV2AA, MVAD009MV2AA, MVAD012MV2AA, MVAD018MV2AA, MVAD024MV2AA, MVAH018MV2AA, MVAH024MV2AA, MVAH030MV2AA, MVAH036MV2AA, MVAH042MV2AA, MVAH048MV2AA); Accessory Grilles (MVAD models); updated dimension figure (MVAB models)

Haier MRV-S Series Submittal

36,000 BTU/HR INVERTER DRIVEN MULTI-ZONE VRF HEAT PUMP SYSTEM

MVHP036MV2AA

Job Name: _____

Purchaser: _____

Submitted To: _____

Construction: _____

Reference: _____

Approval: _____

Date: _____

Submitted By: _____

Unit: _____

Drawing #: _____



Outdoor Unit	
Compressor	DC inverter Driven Rotary
Uncrated Dimension (HxWxD)	52 3/4 x 37 3/8 x 14 5/8 in (1340 x 950 x 370 mm)
Crated (HxWxD)	56 x 40 1/4 x 18 1/2 (1420 x 1023 x 471 mm)
Outdoor Sound Rating dB	54
Heat Exchanger Fin Type	Blue Fin
Weight (Ship/Net)	265/247 lbs
Factory Refrigerant Charge	R-410A (123.0 oz)
Max. Indoor Units	6

Electrical Requirement	
Power Supply	208/230V, 1 Phase, 60 HZ
Operating Voltage Range	187~253 VAC
Recommended Fuse/Breaker Size	30A
MCA	25.4

Pipe Length	
Maximum Pipe Length (Each/All)	492 ft /984 ft
Maximum Pipe Height Difference	164 ft
Connections (Flare)	3/8" (Liquid) 5/8" (Vapor)

Operating Range	
Cooling	23~115°F (-5~46°C)
Heating	-4~75°F (-20~24°C)

Cooling Performance	
Cooling Capacity Range	7,000~36,000 BTU
Rated Power Input	3,330 W
SEER	16.0
EER	10.9

Heating Performance	
Heating Capacity Range	8,000~40,000 BTU
Rated Power Input	3,480 W
HSPF	10.0



For more information visit us:
www.Haierductless.com
www.Haierductlesshelp.com





MRV-S Series Submittal

36,000 BTU/HR INVERTER DRIVEN MULTI-ZONE VRF HEAT PUMP SYSTEM

MVHP036MV2AA

Cooling Capacity Data (TC = Total Capacity (KBtu/h); PI = Power Input (KW))

Capacity Factor (%)	Outdoor Air Temp DB (°F)	Indoor Set Temperature WB (°F)											
		61		64		68		70		72		75	
		TC	PI	TC	PI	TC	PI	TC	PI	TC	PI	TC	PI
130%	23	38.16	1.89	44.16	2.06	47.18	2.27	48.92	2.73	50.72	2.95	52.63	3.30
	65	38.16	2.14	43.68	2.38	44.16	2.64	44.44	3.17	45.78	3.49	46.68	3.78
	75	38.16	2.41	42.10	2.68	42.60	2.98	43.10	3.58	44.44	3.93	45.34	4.26
	85	38.16	2.69	40.66	2.99	41.16	3.32	41.74	3.98	42.64	4.38	43.98	4.75
	95	38.16	2.97	39.24	3.30	39.72	3.67	40.40	4.14	41.30	4.55	42.64	4.93
	105	34.34	3.27	35.32	3.63	35.75	4.04	36.36	4.56	37.17	4.78	38.38	5.18
	115	25.95	3.09	26.68	3.44	27.01	3.82	27.47	4.58	28.08	4.58	29.00	4.87
120%	23	35.46	1.65	40.84	1.80	43.36	1.98	46.68	2.38	49.38	2.58	51.71	2.89
	65	35.46	2.12	40.84	2.36	43.36	2.62	43.98	3.14	44.88	3.45	45.78	3.75
	75	35.46	2.40	40.84	2.66	41.96	2.96	42.64	3.55	43.54	3.90	44.44	4.23
	85	35.46	2.68	39.86	2.98	40.54	3.31	41.30	3.97	41.74	4.36	43.10	4.72
	95	35.46	2.96	38.46	3.29	39.10	3.66	39.50	4.13	40.40	4.54	41.30	4.92
	105	31.91	3.26	34.61	3.62	35.19	4.02	35.55	4.54	36.36	4.77	37.17	5.17
	115	24.11	3.08	26.15	3.42	26.59	3.80	26.86	4.56	27.47	4.57	28.08	4.86
110%	23	32.32	1.51	37.34	1.64	39.72	1.81	42.20	2.17	48.48	2.35	51.23	2.63
	65	32.32	1.86	37.34	2.07	39.72	2.30	42.20	2.75	43.98	3.02	45.34	3.28
	75	32.32	2.40	37.34	2.66	39.72	2.96	41.30	3.55	42.20	3.90	43.10	4.23
	85	32.32	2.64	37.34	2.93	39.72	3.26	39.94	3.91	41.30	4.29	42.20	4.66
	95	32.32	2.93	37.34	3.26	38.28	3.62	38.60	4.09	39.50	4.49	40.84	4.87
	105	29.09	3.23	33.61	3.59	34.45	3.98	34.74	4.50	35.55	4.72	36.76	5.12
	115	21.98	3.05	25.39	3.39	26.03	3.77	26.25	4.52	26.86	4.53	27.77	4.81
100%	23	29.62	1.35	33.84	1.47	36.00	1.62	38.60	1.95	43.10	2.11	50.31	2.36
	65	29.62	1.62	33.84	1.80	36.00	2.00	38.60	2.39	43.10	2.63	43.98	2.85
	75	29.62	1.95	33.84	2.16	36.00	2.41	38.60	2.89	41.74	3.17	42.64	3.43
	85	29.62	2.32	33.84	2.57	36.00	2.87	38.60	3.43	40.40	3.77	41.30	4.09
	95	29.62	2.69	33.84	2.99	36.00	3.33	38.16	3.98	39.06	4.38	39.50	4.75
	105	26.66	2.96	30.46	3.29	32.40	3.66	34.34	4.38	35.15	4.60	35.55	4.98
	115	20.14	2.80	23.01	3.11	24.48	3.47	25.95	4.14	26.56	4.15	26.86	4.41
90%	23	26.48	1.20	30.66	1.31	32.58	1.44	34.56	1.72	38.60	1.87	43.85	2.09
	65	26.48	1.39	30.66	1.55	32.58	1.72	34.56	2.06	38.60	2.27	42.64	2.46
	75	26.48	1.67	30.66	1.85	32.58	2.06	34.56	2.47	38.60	2.71	41.74	2.94
	85	26.48	1.99	30.66	2.21	32.58	2.46	34.56	2.94	38.60	3.23	40.40	3.50
	95	26.48	2.34	30.66	2.60	32.58	2.89	34.56	3.46	38.16	3.80	39.06	4.12
	105	23.83	2.57	27.59	2.86	29.32	3.17	31.10	3.81	34.34	4.18	35.15	4.53
	115	18.01	2.43	20.85	2.71	22.15	3.00	23.50	3.60	25.95	3.96	26.56	4.29
80%	23	23.34	1.05	27.16	1.15	29.08	1.26	30.52	1.52	34.12	1.64	39.24	1.84
	65	23.34	1.22	27.16	1.35	29.08	1.51	30.52	1.80	34.12	1.98	38.16	2.15
	75	23.34	1.22	27.16	1.35	29.08	1.51	30.52	1.80	34.12	1.98	38.16	2.15
	85	23.34	1.42	27.16	1.57	29.08	1.74	30.52	2.09	34.12	2.30	38.16	2.49
	95	23.34	1.99	27.16	2.21	29.08	2.46	30.52	2.94	34.12	3.23	38.16	3.50
	105	21.01	2.19	24.44	2.43	26.17	2.70	27.47	3.24	30.71	3.56	34.34	3.85
	115	15.87	2.07	18.47	2.30	19.77	2.56	20.75	3.06	23.20	3.36	25.95	3.65
70%	23	20.64	0.91	23.66	0.99	25.28	1.09	26.94	1.30	30.08	1.42	34.16	1.59
	65	20.64	1.05	23.66	1.17	25.28	1.30	26.94	1.56	30.08	1.71	33.22	1.86
	75	20.64	1.18	23.66	1.31	25.28	1.46	26.94	1.75	30.08	1.92	33.22	2.08
	85	20.64	1.40	23.66	1.56	25.28	1.73	26.94	2.07	30.08	2.28	33.22	2.48
	95	20.64	1.66	23.66	1.84	25.28	2.05	26.94	2.45	30.08	2.69	33.22	2.92
	105	18.58	1.82	21.29	2.02	22.75	2.25	24.25	2.69	27.07	2.96	29.90	3.21
	115	14.04	1.73	16.09	1.91	17.19	2.13	18.32	2.55	20.45	2.80	22.59	3.04
60%	23	17.50	0.80	20.34	0.84	21.78	0.93	23.34	1.11	25.58	1.21	29.08	1.35
	65	17.50	0.93	20.34	0.97	21.78	1.08	23.34	1.30	25.58	1.43	28.28	1.55
	75	17.50	0.98	20.34	1.08	21.78	1.19	23.34	1.43	25.58	1.57	28.28	1.70
	85	17.50	1.30	20.34	1.28	21.78	1.42	23.34	1.70	25.58	1.87	28.28	2.03
	95	17.50	1.46	20.34	1.51	21.78	1.67	23.34	2.00	25.58	2.21	28.28	2.39
	105	15.75	1.60	18.31	1.66	19.60	1.84	21.01	2.21	23.02	2.43	25.45	2.63
	115	11.90	1.52	13.83	1.57	14.81	1.74	15.87	2.09	17.39	2.30	19.23	2.48

Cooling Capacity Data (TC = Total Capacity (KBtu/h); PI = Power Input (KW))

Capacity Factor (%)	Outdoor Air Temp DB (°F)	Indoor Set Temperature WB (°F)											
		61		64		68		70		72		75	
		TC	PI	TC	PI	TC	PI	TC	PI	TC	PI	TC	PI
50%	23	14.82	0.78	17.02	0.84	18.14	0.92	19.30	1.10	21.54	1.18	24.48	1.33
	65	14.82	0.92	17.02	0.96	18.14	1.07	19.30	1.28	21.54	1.41	23.80	1.53
	75	14.82	0.97	17.02	1.07	18.14	1.18	19.30	1.42	21.54	1.55	23.80	1.68
	85	14.82	1.30	17.02	1.26	18.14	1.39	19.30	1.69	21.54	1.85	23.80	2.02
	95	14.82	1.39	17.02	1.39	18.14	1.64	19.30	2.01	21.54	2.13	23.80	2.32
	105	13.34	1.53	15.32	1.53	16.33	1.81	17.37	2.21	19.39	2.34	21.42	2.56
	115	10.08	1.45	11.57	1.45	12.34	1.71	13.12	2.09	14.65	2.22	16.18	2.42

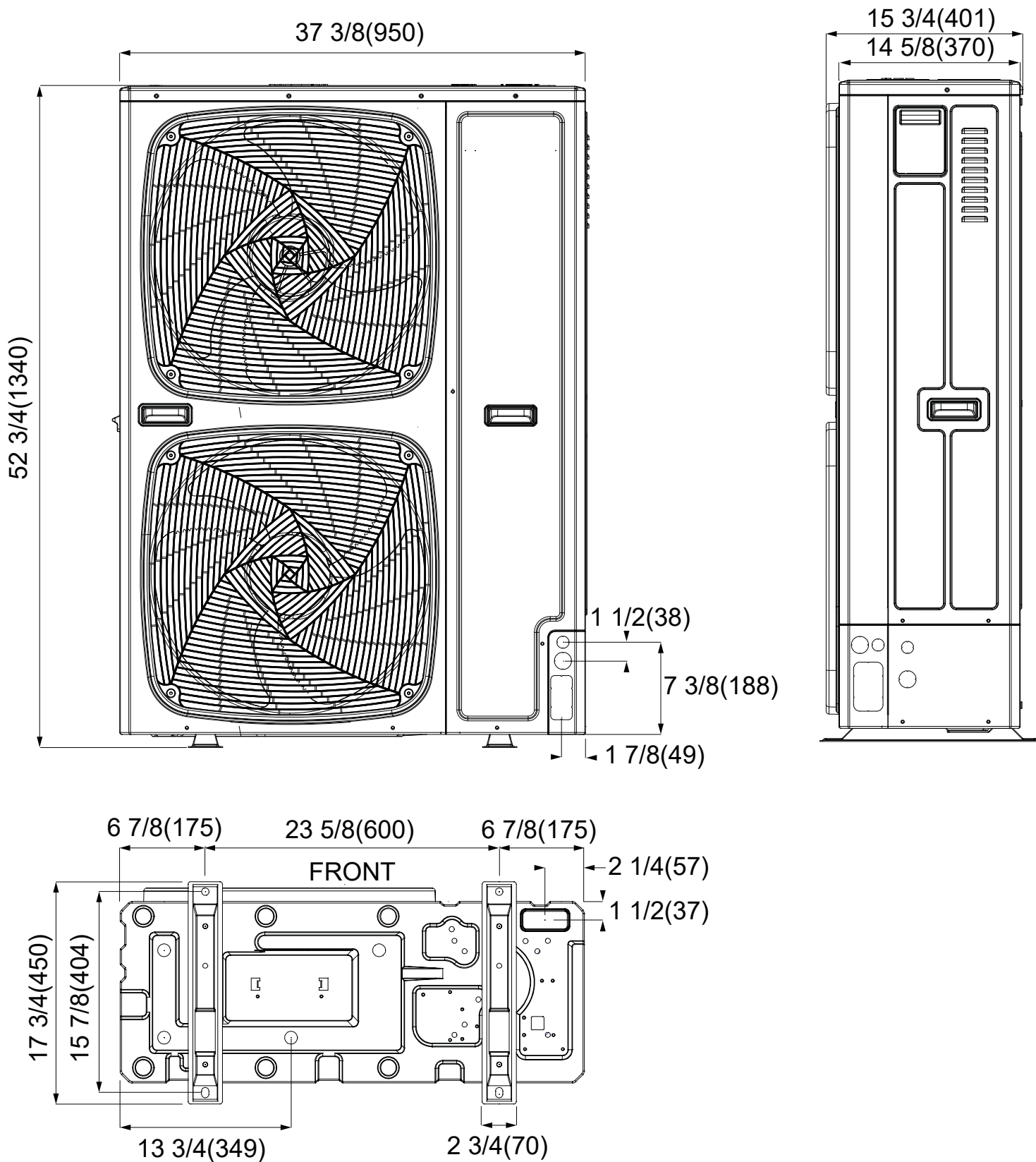
Heating Capacity Data (TC = Total Capacity (KBtu/h); PI = Power Input (KW))

Capacity Factor (%)	Outdoor Air Temp DB (°F)	Indoor Set Temperature DB (°F)											
		61		64		68		70		72		75	
		TC	PI	TC	PI	TC	PI	TC	PI	TC	PI	TC	PI
130%	-4	21.29	1.86	21.17	1.89	20.83	2.09	20.20	3.04	19.48	3.28	18.64	3.07
	5	27.03	1.87	25.93	1.90	24.99	2.10	23.62	3.06	22.52	3.30	21.55	3.09
	17	31.47	3.04	30.49	3.10	29.69	3.42	28.49	3.65	27.53	3.94	26.73	4.03
	47	43.80	2.76	43.15	2.81	42.64	3.10	41.72	3.70	41.04	3.99	40.53	3.86
120%	-4	21.13	1.8	20.92	1.83	20.36	2.03	19.86	2.96	19.16	3.18	18.34	2.99
	5	26.69	1.81	25.56	1.84	24.62	2.04	23.27	2.97	22.15	3.20	21.21	3.00
	17	31.10	2.95	30.14	3.01	29.35	3.32	28.12	3.67	27.16	3.96	26.36	3.99
	47	43.46	2.68	42.78	2.73	42.27	3.01	41.35	3.66	40.70	3.94	40.18	3.74
110%	-4	21.00	1.77	20.69	1.80	19.88	1.99	19.57	2.87	18.41	3.09	17.60	2.94
	5	25.81	1.78	24.70	1.81	23.76	2.00	22.39	2.88	21.29	3.11	20.35	2.95
	17	30.25	2.90	29.26	2.96	28.47	3.26	27.26	3.61	26.30	3.90	25.50	3.91
	47	42.58	2.62	41.92	2.68	41.41	2.95	40.49	3.55	39.82	3.83	39.30	3.68
100%	-4	20.62	1.59	20.39	1.65	19.66	1.80	19.20	2.82	17.95	3.03	17.14	2.85
	5	25.30	1.60	24.17	1.66	23.23	1.81	21.88	2.83	20.76	3.05	19.82	2.86
	17	29.71	2.46	28.75	2.53	27.96	2.68	26.75	3.69	25.77	3.98	24.97	3.79
	47	42.11	2.25	41.43	2.32	40.90	2.47	40.00	3.48	39.35	3.76	38.83	3.57
90%	-4	19.44	1.52	19.30	1.59	19.17	1.73	19.04	2.70	17.55	2.91	16.73	2.73
	5	24.83	1.53	23.70	1.60	22.76	1.74	21.39	2.71	20.29	2.92	19.35	2.74
	17	29.24	2.36	28.28	2.43	27.46	2.58	26.26	3.54	25.30	3.82	24.50	3.64
	47	41.60	2.16	40.92	2.23	40.41	2.37	39.49	3.34	38.81	3.61	38.32	3.42
80%	-4	18.31	1.46	18.21	1.52	18.11	1.68	18.01	2.56	17.03	2.76	16.22	2.62
	5	24.23	1.47	23.11	1.53	22.17	1.69	20.82	2.57	19.69	2.77	18.75	2.63
	17	28.65	2.26	27.69	2.33	26.89	2.49	25.69	3.36	24.70	3.62	23.91	3.49
	47	41.00	2.07	40.33	2.14	39.82	2.30	38.90	3.17	38.24	3.42	37.73	3.28
70%	-4	18.65	1.41	18.21	1.47	17.76	1.68	17.31	2.59	16.35	2.8	15.53	2.62
	5	23.44	1.42	22.31	1.48	21.37	1.69	20.02	2.60	18.90	2.81	17.96	2.63
	17	27.85	2.19	26.89	2.25	26.09	2.49	24.87	3.40	23.91	3.66	23.11	3.49
	47	40.20	2.01	39.53	2.07	39.02	2.30	38.10	3.20	37.44	3.46	36.93	3.28
60%	-4	16.99	1.36	16.82	1.42	16.65	1.55	16.48	2.42	15.53	2.61	14.69	2.45
	5	22.47	1.37	21.37	1.43	20.43	1.56	19.06	2.43	17.96	2.62	16.99	2.46
	17	26.91	2.12	25.93	2.18	25.13	2.31	23.93	3.18	22.97	3.42	22.17	3.26
	47	39.24	1.94	38.57	2.00	38.08	2.12	37.16	2.99	36.48	3.23	35.97	3.07
50%	-4	15.90	1.32	15.78	1.37	15.67	1.50	15.55	2.33	14.57	2.52	13.76	2.36
	5	21.39	1.33	20.27	1.38	19.33	1.51	17.98	2.34	16.85	2.53	15.91	2.37
	17	25.81	2.04	24.85	2.10	24.05	2.23	22.82	3.06	21.86	3.30	21.06	3.15
	47	38.16	1.87	37.48	1.93	36.97	2.05	36.05	2.89	35.40	3.12	34.89	2.96

Haier MRV-S Series Submittal

36,000 BTU/HR INVERTER DRIVEN MULTI-ZONE VRF HEAT PUMP SYSTEM

MVHP036MV2AA



Haier MRV-S Series Submittal

48,000 BTU/HR INVERTER DRIVEN MULTI-ZONE VRF HEAT PUMP SYSTEM

MVHP048MV2AA

Job Name: _____

Purchaser: _____

Submitted To: _____

Construction: _____

Reference: _____

Approval: _____

Date: _____

Submitted By: _____

Unit: _____

Drawing #: _____



Outdoor Unit	
Compressor	DC inverter Driven Rotary
Uncrated Dimension (HxWxD)	52 3/4 x 37 3/8 x 14 5/8 in (1340 x 950 x 370 mm)
Crated (HxWxD)	56 x 40 1/4 x 18 1/2 (1420 x 1023 x 471 mm)
Outdoor Sound Rating dB	55
Heat Exchanger Fin Type	Blue Fin
Weight (Ship/Net)	271/254 lbs
Factory Refrigerant Charge	R-410A (141.0 oz)
Max. Indoor Units	8

Electrical Requirement	
Power Supply	208/230V, 1 Phase, 60 HZ
Operating Voltage Range	187~253 VAC
Recommended Fuse/Breaker Size	40A
MCA	37.8

Pipe Length	
Maximum Pipe Length (Each/All)	492 ft /984 ft
Maximum Pipe Height Difference	164 ft
Connections (Flare)	3/8" (Liquid) 5/8" (Vapor)

Operating Range	
Cooling	23~115°F (-5~46°C)
Heating	-4~75°F (-20~24°C)

Cooling Performance	
Cooling Capacity Range	7,000~48,000 BTU
Rated Power Input	4,800 W
SEER	16.0
EER	10.0

Heating Performance	
Heating Capacity Range	8,000~54,000 BTU
Rated Power Input	5,250 W
HSPF	10.0



For more information visit us:
www.Haierductless.com
www.Haierductlesshelp.com



Cooling Capacity Data (TC = Total Capacity (KBtu/h); PI = Power Input (KW))

Capacity Factor (%)	Outdoor Air Temp DB (°F)	Indoor Set Temperature WB (°F)											
		61		64		67		68		72		75	
		TC	PI	TC	PI	TC	PI	TC	PI	TC	PI	TC	PI
130%	23	50.88	2.73	58.88	2.97	62.91	3.27	65.23	3.93	67.63	4.26	70.18	4.76
	65	50.88	3.09	58.24	3.43	58.88	3.81	59.25	4.57	61.04	5.03	62.24	5.45
	75	50.88	3.48	56.13	3.87	56.80	4.30	57.47	5.16	59.25	5.67	60.45	6.14
	85	50.88	3.88	54.21	4.31	54.88	4.79	55.65	5.74	56.85	6.31	58.64	6.84
	95	50.88	4.28	52.32	4.76	52.96	5.29	53.87	6.17	55.07	6.79	56.85	7.35
	105	45.79	4.71	47.09	5.24	47.66	5.82	48.48	6.79	49.56	7.13	51.17	7.72
120%	115	34.60	4.45	35.58	4.95	36.01	5.50	36.63	6.60	37.45	6.61	38.66	7.02
	23	47.28	2.38	54.45	2.60	57.81	2.86	62.24	3.43	65.84	3.72	68.94	4.16
	65	47.28	3.06	54.45	3.40	57.81	3.78	58.64	4.53	59.84	4.98	61.04	5.40
	75	47.28	3.46	54.45	3.84	55.95	4.27	56.85	5.11	58.05	5.62	59.25	6.09
	85	47.28	3.86	53.15	4.29	54.05	4.77	55.07	5.72	55.65	6.28	57.47	6.81
	95	47.28	4.27	51.28	4.74	52.13	5.27	52.67	6.15	53.87	6.77	55.07	7.33
110%	105	42.55	4.70	46.15	5.21	46.92	5.80	47.40	6.77	48.48	7.11	49.56	7.70
	115	32.15	4.44	34.87	4.93	35.45	5.48	35.81	6.58	36.63	6.59	37.45	7.00
	23	43.09	2.17	49.79	2.36	52.96	2.61	56.27	3.12	64.64	3.38	68.31	3.79
	65	43.09	2.68	49.79	2.98	52.96	3.31	56.27	3.97	58.64	4.36	60.45	4.73
	75	43.09	3.46	49.79	3.84	52.96	4.27	55.07	5.11	56.27	5.62	57.47	6.09
	85	43.09	3.81	49.79	4.23	52.96	4.70	53.25	5.63	55.07	6.19	56.27	6.71
100%	95	43.09	4.23	49.79	4.70	51.04	5.22	51.47	6.10	52.67	6.70	54.45	7.26
	105	38.78	4.65	44.81	5.17	45.94	5.74	46.32	6.71	47.40	7.03	49.01	7.63
	115	29.30	4.40	33.85	4.89	34.71	5.43	35.00	6.51	35.81	6.52	37.03	6.94
	23	39.49	1.95	45.12	2.12	48.00	2.34	51.47	2.80	57.47	3.04	67.08	3.40
	65	39.49	2.33	45.12	2.59	48.00	2.88	51.47	3.45	57.47	3.79	58.64	4.11
	75	39.49	2.81	45.12	3.12	48.00	3.47	51.47	4.16	55.65	4.57	56.85	4.95
90%	85	39.49	3.34	45.12	3.71	48.00	4.13	51.47	4.95	53.87	5.44	55.07	5.90
	95	39.49	3.88	45.12	4.31	48.00	4.80	50.88	5.74	52.08	6.31	52.67	6.84
	105	35.54	4.27	40.61	4.74	43.20	5.28	45.79	6.31	46.87	6.63	47.40	7.18
	115	26.86	4.04	30.68	4.48	32.64	4.99	34.60	5.97	35.41	5.98	35.81	6.36
	23	35.31	1.72	40.88	1.89	43.44	2.07	46.08	2.49	51.47	2.69	58.47	3.01
	65	35.31	2.01	40.88	2.23	43.44	2.48	46.08	2.97	51.47	3.27	56.85	3.54
80%	75	35.31	2.40	40.88	2.67	43.44	2.97	46.08	3.56	51.47	3.91	55.65	4.24
	85	35.31	2.87	40.88	3.18	43.44	3.54	46.08	4.24	51.47	4.66	53.87	5.05
	95	35.31	3.37	40.88	3.75	43.44	4.16	46.08	4.99	50.88	5.48	52.08	5.94
	105	31.78	3.71	36.79	4.12	39.10	4.58	41.47	5.49	45.79	6.03	46.87	6.53
	115	24.01	3.51	27.80	3.90	29.54	4.33	31.33	5.19	34.60	5.70	35.41	6.18
	23	31.12	1.52	36.21	1.65	38.77	1.82	40.69	2.19	45.49	2.37	52.32	2.65
70%	65	31.12	1.76	36.21	1.95	38.77	2.17	40.69	2.60	45.49	2.86	50.88	3.10
	75	31.12	1.76	36.21	1.95	38.77	2.17	40.69	2.60	45.49	2.86	50.88	3.10
	85	31.12	2.04	36.21	2.26	38.77	2.51	40.69	3.01	45.49	3.31	50.88	3.59
	95	31.12	2.87	36.21	3.18	38.77	3.54	40.69	4.24	45.49	4.66	50.88	5.05
	105	28.01	3.16	32.59	3.50	34.90	3.89	36.62	4.66	40.94	5.13	45.79	5.55
	115	21.16	2.99	24.63	3.31	26.37	3.68	27.67	4.41	30.94	4.85	34.60	5.26
60%	23	27.52	1.31	31.55	1.43	33.71	1.57	35.92	1.88	40.11	2.04	45.55	2.29
	65	27.52	1.52	31.55	1.69	33.71	1.87	35.92	2.25	40.11	2.47	44.29	2.68
	75	27.52	1.70	31.55	1.89	33.71	2.10	35.92	2.52	40.11	2.77	44.29	3.00
	85	27.52	2.02	31.55	2.25	33.71	2.50	35.92	2.99	40.11	3.29	44.29	3.57
	95	27.52	2.39	31.55	2.65	33.71	2.95	35.92	3.53	40.11	3.88	44.29	4.21
	105	24.77	2.63	28.39	2.91	30.34	3.24	32.33	3.88	36.10	4.27	39.86	4.63
60%	115	18.71	2.49	21.45	2.76	22.92	3.07	24.43	3.67	27.27	4.04	30.12	4.38
	23	23.33	1.16	27.12	1.22	29.04	1.34	31.12	1.60	34.11	1.74	38.78	1.94
	65	23.33	1.34	27.12	1.40	29.04	1.56	31.12	1.87	34.11	2.06	37.71	2.23
	75	23.33	1.41	27.12	1.55	29.04	1.72	31.12	2.06	34.11	2.26	37.71	2.45
	85	23.33	1.87	27.12	1.84	29.04	2.05	31.12	2.45	34.11	2.70	37.71	2.92
	95	23.33	2.10	27.12	2.17	29.04	2.41	31.12	2.89	34.11	3.18	37.71	3.44
60%	105	21.00	2.31	24.41	2.39	26.14	2.65	28.01	3.18	30.70	3.50	33.94	3.78
	115	15.87	2.19	18.44	2.26	19.75	2.51	21.16	3.01	23.19	3.31	25.64	3.58

Cooling Capacity Data (TC = Total Capacity (KBtu/h); PI = Power Input (KW))

Capacity Factor (%)	Outdoor Air Temp DB (°F)	Indoor Set Temperature WB (°F)											
		61		64		67		68		72		75	
		TC	PI	TC	PI	TC	PI	TC	PI	TC	PI	TC	PI
50%	23	19.76	1.13	22.69	1.21	24.19	1.33	25.73	1.59	28.72	1.70	32.63	1.92
	65	19.76	1.32	22.69	1.38	24.19	1.54	25.73	1.84	28.72	2.03	31.73	2.20
	75	19.76	1.40	22.69	1.54	24.19	1.70	25.73	2.04	28.72	2.23	31.73	2.42
	85	19.76	1.87	22.69	1.81	24.19	2.01	25.73	2.43	28.72	2.67	31.73	2.91
	95	19.76	2.01	22.69	2.01	24.19	2.37	25.73	2.90	28.72	3.07	31.73	3.35
	105	17.78	2.21	20.42	2.21	21.77	2.61	23.16	3.19	25.85	3.38	28.56	3.68
	115	13.44	2.09	15.43	2.09	16.45	2.47	17.50	3.02	19.53	3.19	21.58	3.49

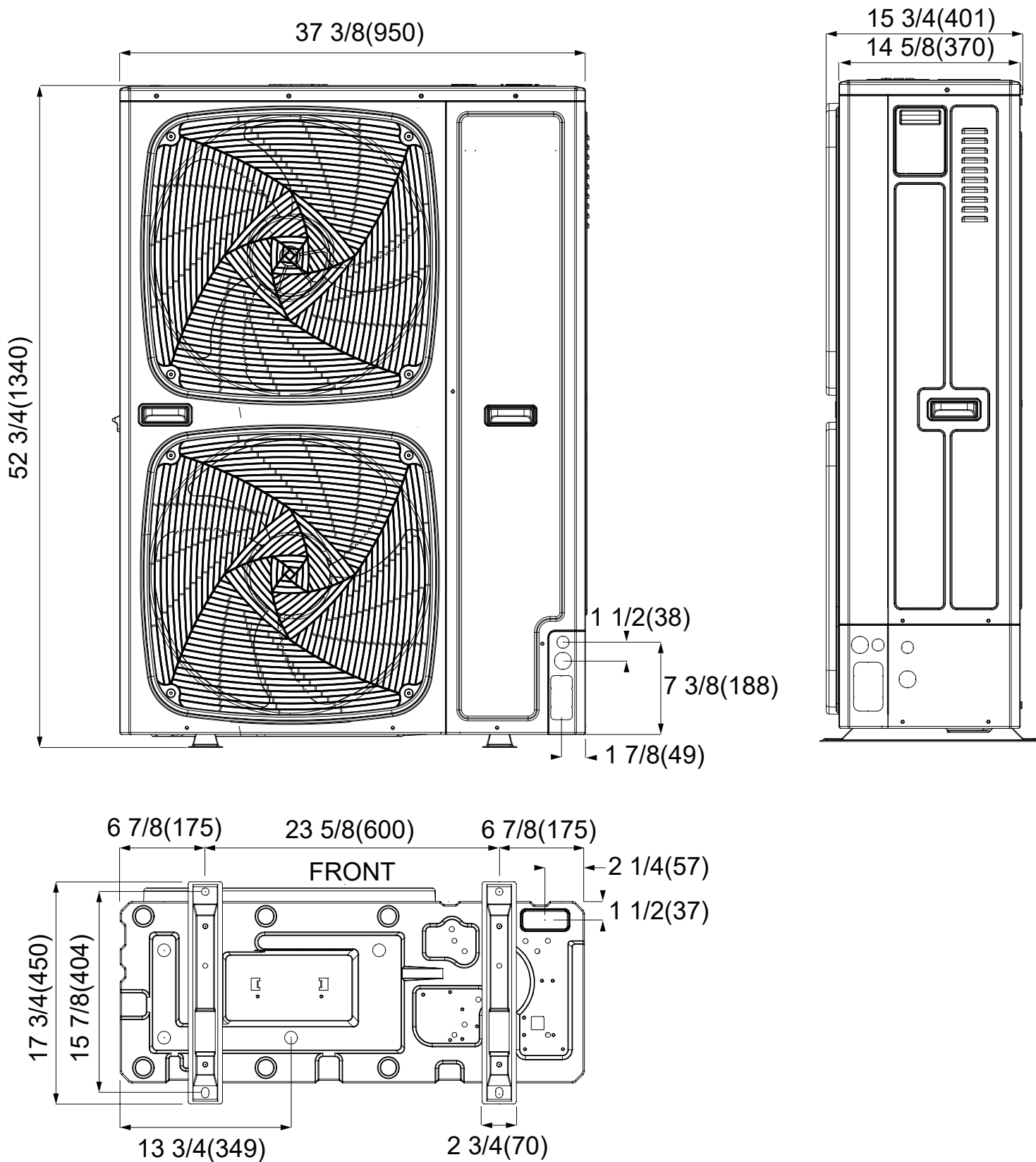
Heating Capacity Data (TC = Total Capacity (KBtu/h); PI = Power Input (KW))

Capacity Factor (%)	Outdoor Air Temp DB (°F)	Indoor Set Temperature DB (°F)											
		61		64		68		70		72		75	
		TC	PI	TC	PI	TC	PI	TC	PI	TC	PI	TC	PI
130%	-4	29.83	2.81	29.36	2.86	28.94	3.16	28.42	4.59	27.63	4.95	25.94	4.64
	5	36.50	2.82	35.01	2.87	33.74	3.17	31.89	4.61	30.40	4.97	29.10	4.66
	17	42.49	4.59	41.16	4.68	40.09	5.16	38.46	5.51	37.16	5.95	36.08	6.08
	47	59.13	4.16	58.25	4.24	57.56	4.68	56.32	5.58	55.41	6.02	54.72	5.82
120%	-4	29.22	2.72	29.01	2.77	28.39	3.06	27.85	4.45	27.66	4.81	24.92	4.51
	5	36.03	2.73	34.51	2.78	33.24	3.07	31.42	4.47	29.90	4.83	28.63	4.53
	17	41.99	4.45	40.69	4.54	39.62	5.01	37.96	5.53	36.66	5.97	35.59	6.01
	47	58.67	4.04	57.75	4.12	57.06	4.54	55.82	5.52	54.94	5.95	54.25	5.65
110%	-4	28.49	2.67	28.17	2.72	27.58	3.00	27.08	4.32	26.55	4.67	24.19	4.42
	5	34.84	2.68	33.35	2.73	32.08	3.01	30.23	4.34	28.74	4.69	27.47	4.44
	17	40.83	4.37	39.51	4.46	38.43	4.92	36.80	5.44	35.50	5.88	34.43	5.89
	47	57.48	3.96	56.60	4.04	55.90	4.45	54.66	5.36	53.75	5.78	53.06	5.54
100%	-4	27.47	2.40	27.19	2.50	27.00	2.72	26.94	4.24	25.07	4.57	23.14	4.29
	5	34.15	2.41	32.63	2.51	31.36	2.73	29.54	4.26	28.02	4.59	26.75	4.31
	17	40.11	3.71	38.82	3.82	37.74	4.04	36.11	5.57	34.79	6.00	33.71	5.72
	47	56.84	3.40	55.93	3.50	55.21	3.72	54.00	5.25	53.12	5.66	52.43	5.38
90%	-4	25.65	2.30	25.43	2.40	25.20	2.62	24.98	4.07	23.69	4.39	22.59	4.11
	5	33.52	2.31	32.00	2.41	30.73	2.63	28.88	4.09	27.39	4.41	26.12	4.13
	17	39.48	3.56	38.18	3.66	37.08	3.88	35.45	5.34	34.15	5.76	33.07	5.49
	47	56.15	3.26	55.24	3.36	54.55	3.58	53.31	5.04	52.40	5.44	51.74	5.16
80%	-4	24.34	2.21	24.33	2.30	24.32	2.54	24.31	3.85	23.00	4.16	21.90	3.94
	5	32.71	2.22	31.20	2.31	29.93	2.55	28.10	3.87	26.59	4.18	25.32	3.96
	17	38.68	3.41	37.38	3.51	36.30	3.76	34.67	5.06	33.35	5.46	32.27	5.26
	47	55.35	3.12	54.44	3.22	53.75	3.46	52.51	4.77	51.63	5.15	50.94	4.94
70%	-4	23.67	2.13	23.57	2.22	23.48	2.54	23.38	3.90	22.07	4.21	20.97	3.94
	5	31.64	2.14	30.12	2.23	28.85	2.55	27.03	3.92	25.51	4.23	24.24	3.96
	17	37.60	3.30	36.30	3.40	35.23	3.76	33.57	5.12	32.27	5.53	31.20	5.26
	47	54.28	3.03	53.37	3.11	52.67	3.46	51.43	4.83	50.55	5.21	49.86	4.94
60%	-4	23.50	2.06	23.09	2.15	22.67	2.34	22.26	3.64	20.97	3.94	19.84	3.68
	5	30.34	2.07	28.85	2.16	27.58	2.35	25.73	3.66	24.24	3.96	22.94	3.70
	17	36.33	3.20	35.01	3.28	33.93	3.48	32.30	4.79	31.00	5.16	29.93	4.92
	47	52.98	2.92	52.07	3.01	51.40	3.20	50.16	4.51	49.25	4.87	48.56	4.63
50%	-4	21.94	1.99	21.63	2.08	21.31	2.26	20.99	3.53	19.68	3.80	18.58	3.57
	5	28.88	2.00	27.36	2.09	26.09	2.27	24.27	3.54	22.75	3.82	21.48	3.58
	17	34.84	3.08	33.54	3.16	32.47	3.36	30.81	4.62	29.51	4.98	28.44	4.75
	47	51.52	2.82	50.60	2.90	49.91	3.09	48.67	4.36	47.79	4.70	47.10	4.47

Haier MRV-S Series Submittal

48,000 BTU/HR INVERTER DRIVEN MULTI-ZONE VRF HEAT PUMP SYSTEM

MVHP048MV2AA



Haier MRV-S Series Submittal

56,000 BTU/HR INVERTER DRIVEN MULTI-ZONE VRF HEAT PUMP SYSTEM

MVHP056MV2AA

Job Name: _____

Purchaser: _____

Submitted To: _____

Construction: _____

Reference: _____

Approval: _____

Date: _____

Submitted By: _____

Unit: _____

Drawing #: _____



Outdoor Unit	
Compressor	DC inverter Driven Rotary
Uncrated Dimension (HxWxD)	52 3/4 x 37 3/8 x 14 5/8 in (1340 x 950 x 370 mm)
Crated (HxWxD)	56 x 40 1/4 x 18 1/2 (1420 x 1023 x 471 mm)
Outdoor Sound Rating dB	55
Heat Exchanger Fin Type	Blue Fin
Weight (Ship/Net)	271/254 lbs
Factory Refrigerant Charge	R-410A (141.0 oz)
Max. Indoor Units	9

Electrical Requirement	
Power Supply	208/230V, 1 Phase, 60 HZ
Operating Voltage Range	187~253 VAC
Recommended Fuse/Breaker Size	40A
MCA	38.8

Pipe Length	
Maximum Pipe Length (Each/All)	492 ft /984 ft
Maximum Pipe Height Difference	164 ft
Connections (Flare)	3/8" (Liquid) 5/8" (Vapor)

Operating Range	
Cooling	23~115°F (-5~46°C)
Heating	-4~75°F (-20~24°C)

Cooling Performance	
Cooling Capacity Range	7,000~56,000 BTU
Rated Power Input	5,580 W
SEER	16.0
EER	10.0

Heating Performance	
Heating Capacity Range	8,000~59,000 BTU
Rated Power Input	6,150 W
HSPF	10.0



For more information visit us:
www.Haierductless.com
www.Haierductlesshelp.com



Cooling Capacity Data (TC = Total Capacity (KBtu/h); PI = Power Input (KW))

Capacity Factor (%)	Outdoor Air Temp DB (°F)	Indoor Set Temperature WB (°F)											
		61		64		67		68		72		75	
		TC	PI	TC	PI	TC	PI	TC	PI	TC	PI	TC	PI
130%	23	59.36	3.17	68.69	3.46	73.39	3.81	76.10	4.57	78.90	4.95	81.87	5.53
	65	59.36	3.59	67.95	3.99	68.69	4.43	69.13	5.31	71.21	5.85	72.61	6.34
	75	59.36	4.05	65.49	4.50	66.27	5.00	67.04	5.47	69.13	6.01	70.53	6.51
	85	59.36	4.51	63.25	5.01	64.03	5.57	64.93	6.09	66.33	6.69	68.41	7.25
	95	59.36	4.98	61.04	5.53	61.79	6.15	62.84	6.33	64.24	6.96	66.33	7.54
	105	53.42	5.47	54.94	6.09	55.61	6.76	56.56	6.96	57.82	7.31	59.70	7.91
120%	115	40.36	5.18	41.51	5.76	42.01	6.40	42.73	7.67	43.69	7.68	45.10	8.10
	23	55.16	2.77	63.53	3.02	67.45	3.32	72.61	3.99	76.81	4.32	80.43	4.83
	65	55.16	3.56	63.53	3.95	67.45	4.39	68.41	5.27	69.81	5.79	71.21	6.28
	75	55.16	4.02	63.53	4.46	65.27	4.96	66.33	5.42	67.73	5.96	69.13	6.46
	85	55.16	4.49	62.00	4.99	63.06	5.55	64.24	6.06	64.93	6.66	67.04	7.22
	95	55.16	4.96	59.83	5.51	60.82	6.13	61.44	6.31	62.84	6.94	64.24	7.52
110%	105	49.64	5.46	53.84	6.06	54.74	6.74	55.30	6.94	56.56	7.29	57.82	7.89
	115	37.51	5.17	40.68	5.73	41.36	6.38	41.78	7.65	42.73	7.66	43.69	8.09
	23	50.28	2.52	58.08	2.75	61.79	3.03	65.64	3.63	75.41	3.93	79.70	4.40
	65	50.28	3.12	58.08	3.46	61.79	3.85	65.64	4.62	68.41	5.07	70.53	5.50
	75	50.28	4.02	58.08	4.46	61.79	4.96	64.24	5.42	65.64	5.96	67.04	6.46
	85	50.28	4.43	58.08	4.92	61.79	5.46	62.13	5.97	64.24	6.56	65.64	7.11
100%	95	50.28	4.92	58.08	5.46	59.55	6.07	60.04	6.25	61.44	6.87	63.53	7.45
	105	45.25	5.41	52.28	6.01	53.59	6.68	54.04	6.87	55.30	7.21	57.18	7.82
	115	34.19	5.12	39.50	5.69	40.49	6.31	40.83	7.57	41.78	7.58	43.20	8.07
	23	46.08	2.27	52.64	2.46	56.00	2.72	60.04	3.26	67.04	3.54	78.26	3.96
	65	46.08	2.71	52.64	3.01	56.00	3.35	60.04	4.01	67.04	4.41	68.41	4.78
	75	46.08	3.27	52.64	3.63	56.00	4.03	60.04	4.84	64.93	5.31	66.33	5.75
90%	85	46.08	3.88	52.64	4.31	56.00	4.80	60.04	5.75	62.84	6.32	64.24	6.86
	95	46.08	4.51	52.64	5.01	56.00	5.58	59.36	6.09	60.76	6.69	61.44	7.25
	105	41.47	4.96	47.38	5.51	50.40	6.14	53.42	6.69	54.68	7.02	55.30	7.61
	115	31.33	4.69	35.80	5.21	38.08	5.81	40.36	6.94	41.32	6.96	41.78	7.40
	23	41.19	2.00	47.69	2.19	50.68	2.41	53.76	2.89	60.04	3.13	68.21	3.50
	65	41.19	2.34	47.69	2.59	50.68	2.88	53.76	3.45	60.04	3.80	66.33	4.12
80%	75	41.19	2.79	47.69	3.10	50.68	3.45	53.76	4.14	60.04	4.55	64.93	4.93
	85	41.19	3.34	47.69	3.70	50.68	4.12	53.76	4.93	60.04	5.42	62.84	5.87
	95	41.19	3.92	47.69	4.36	50.68	4.84	53.76	5.29	59.36	5.81	60.76	6.30
	105	37.07	4.31	42.92	4.80	45.61	5.32	48.38	5.82	53.42	6.39	54.68	6.93
	115	28.01	4.08	32.43	4.54	34.46	5.03	36.56	6.04	40.36	6.63	41.32	7.19
	23	36.31	1.76	42.25	1.92	45.24	2.12	47.48	2.54	53.08	2.75	61.05	3.08
70%	65	36.31	2.05	42.25	2.27	45.24	2.52	47.48	3.02	53.08	3.32	59.36	3.60
	75	36.31	2.05	42.25	2.27	45.24	2.52	47.48	3.02	53.08	3.32	59.36	3.60
	85	36.31	2.37	42.25	2.63	45.24	2.92	47.48	3.50	53.08	3.85	59.36	4.17
	95	36.31	3.34	42.25	3.70	45.24	4.12	47.48	4.93	53.08	5.42	59.36	5.87
	105	32.68	3.67	38.02	4.07	40.71	4.53	42.73	5.42	47.77	5.96	53.42	6.46
	115	24.69	3.47	28.73	3.85	30.76	4.28	32.28	5.13	36.09	5.64	40.36	6.11
60%	23	32.11	1.52	36.80	1.66	39.32	1.82	41.91	2.18	46.79	2.38	53.14	2.66
	65	32.11	1.77	36.80	1.96	39.32	2.17	41.91	2.62	46.79	2.87	51.68	3.12
	75	32.11	1.98	36.80	2.20	39.32	2.44	41.91	2.93	46.79	3.22	51.68	3.49
	85	32.11	2.35	36.80	2.62	39.32	2.91	41.91	3.48	46.79	3.82	51.68	4.15
	95	32.11	2.78	36.80	3.08	39.32	3.43	41.91	4.10	46.79	4.51	51.68	4.89
	105	28.90	3.06	33.12	3.39	35.39	3.77	37.72	4.51	42.11	4.96	46.51	5.38
50%	115	21.83	2.89	25.03	3.21	26.74	3.57	28.50	4.27	31.82	4.69	35.14	5.09
	23	27.22	1.35	31.64	1.41	33.88	1.56	36.31	1.86	39.79	2.02	45.24	2.26
	65	27.22	1.56	31.64	1.63	33.88	1.81	36.31	2.17	39.79	2.39	43.99	2.59
	75	27.22	1.64	31.64	1.80	33.88	2.00	36.31	2.39	39.79	2.63	43.99	2.85
	85	27.22	2.17	31.64	2.14	33.88	2.38	36.31	2.85	39.79	3.14	43.99	3.39
	95	27.22	2.44	31.64	2.52	33.88	2.80	36.31	3.36	39.79	3.70	43.99	4.00
40%	105	24.50	2.69	28.48	2.77	30.49	3.08	32.68	3.70	35.81	4.07	39.59	4.40
	115	18.51	2.54	21.52	2.63	23.04	2.92	24.69	3.50	27.06	3.85	29.91	4.16

Cooling Capacity Data (TC = Total Capacity (KBtu/h); PI = Power Input (KW))

Capacity Factor (%)	Outdoor Air Temp DB (°F)	Indoor Set Temperature WB (°F)											
		61		64		67		68		72		75	
		TC	PI	TC	PI	TC	PI	TC	PI	TC	PI	TC	PI
50%	23	23.05	1.31	26.48	1.40	28.22	1.54	30.02	1.85	33.51	1.98	38.07	2.23
	65	23.05	1.53	26.48	1.60	28.22	1.79	30.02	2.14	33.51	2.36	37.02	2.56
	75	23.05	1.63	26.48	1.79	28.22	1.98	30.02	2.37	33.51	2.59	37.02	2.81
	85	23.05	2.17	26.48	2.10	28.22	2.34	30.02	2.82	33.51	3.10	37.02	3.38
	95	23.05	2.34	26.48	2.34	28.22	2.76	30.02	3.37	33.51	3.57	37.02	3.89
	105	20.75	2.57	23.83	2.57	25.40	3.03	27.02	3.71	30.16	3.93	33.32	4.28
	115	15.68	2.43	18.00	2.43	19.19	2.87	20.42	3.51	22.78	3.71	25.18	4.05

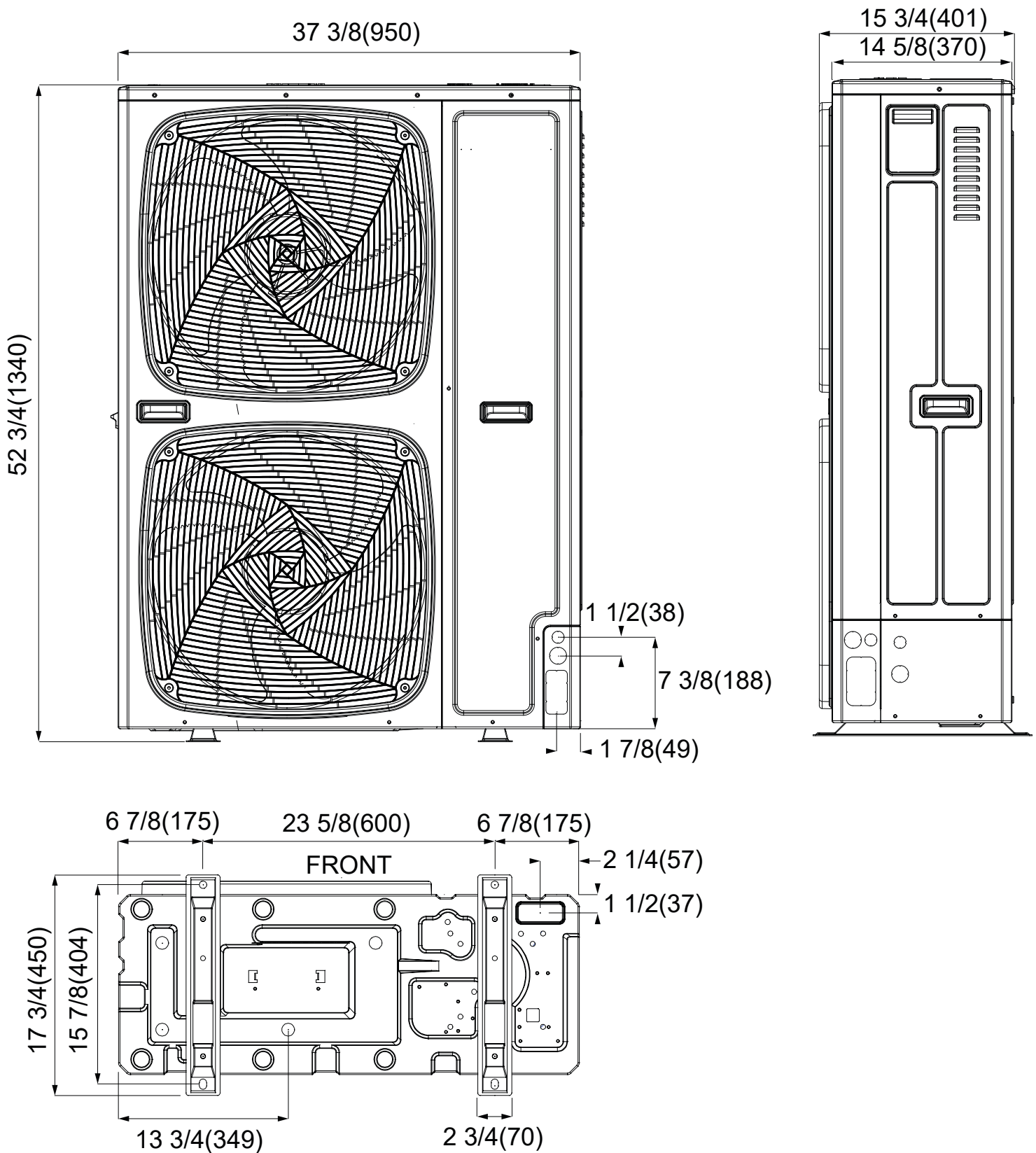
Heating Capacity Data (TC = Total Capacity (KBtu/h); PI = Power Input (KW))

Capacity Factor (%)	Outdoor Air Temp DB (°F)	Indoor Set Temperature DB (°F)											
		61		64		68		70		72		75	
		TC	PI	TC	PI	TC	PI	TC	PI	TC	PI	TC	PI
130%	-4	32.38	3.29	32.14	3.35	31.53	3.7	31.22	4.72	30.07	5.09	29.59	4.77
	5	39.88	3.30	38.25	3.36	36.86	3.71	34.84	4.74	33.21	5.11	31.79	4.79
	17	46.42	5.37	44.97	5.48	43.80	6.05	42.02	5.66	40.60	6.11	39.42	6.25
	47	64.61	4.87	63.65	4.97	62.89	5.48	61.53	5.73	60.54	6.18	59.78	5.98
120%	-4	31.12	3.18	30.95	3.25	30.00	3.58	30.69	4.58	29.27	4.94	28.06	4.63
	5	39.36	3.19	37.70	3.26	36.32	3.59	34.33	4.60	32.67	4.96	31.28	4.65
	17	45.88	5.21	44.46	5.32	43.28	5.87	41.47	5.68	40.06	6.13	38.88	6.17
	47	64.10	4.73	63.10	4.82	62.35	5.32	60.99	5.67	60.03	6.11	59.27	5.80
110%	-4	30.25	3.13	30.21	3.19	30.16	3.52	29.57	4.44	27.17	4.80	25.96	4.54
	5	38.07	3.14	36.44	3.20	35.05	3.53	33.03	4.46	31.40	4.82	30.01	4.56
	17	44.61	5.12	43.16	5.22	41.99	5.76	40.21	5.59	38.79	6.04	37.61	6.05
	47	62.80	4.63	61.84	4.73	61.08	5.22	59.72	5.50	58.73	5.93	57.97	5.69
100%	-4	30.00	2.81	29.65	2.93	29.29	3.19	28.80	4.97	26.49	5.36	25.29	5.03
	5	37.31	2.82	35.65	2.94	34.27	3.20	32.28	4.99	30.62	5.38	29.23	5.05
	17	43.83	4.35	42.41	4.47	41.23	4.74	39.45	6.52	38.01	7.03	36.83	6.70
	47	62.11	3.98	61.11	4.10	60.33	4.36	59.00	6.15	58.03	6.63	57.28	6.30
90%	-4	28.02	2.70	27.98	2.81	27.94	3.07	27.90	4.77	25.89	5.14	24.68	4.82
	5	36.62	2.71	34.96	2.82	33.57	3.08	31.55	4.79	29.92	5.16	28.53	4.84
	17	43.13	4.17	41.72	4.29	40.51	4.55	38.73	6.25	37.31	6.75	36.14	6.43
	47	61.35	3.82	60.36	3.93	59.60	4.19	58.25	5.90	57.25	6.37	56.53	6.05
80%	-4	28.58	2.59	28.14	2.70	27.69	2.97	27.24	4.52	25.13	4.88	23.93	4.62
	5	35.74	2.60	34.08	2.71	32.70	2.98	30.71	4.54	29.05	4.90	27.66	4.64
	17	42.26	4.00	40.84	4.11	39.67	4.41	37.89	5.93	36.44	6.40	35.26	6.16
	47	60.48	3.66	59.48	3.77	58.73	4.06	57.37	5.59	56.41	6.04	55.65	5.79
70%	-4	26.02	2.50	25.86	2.61	25.71	2.97	25.55	4.58	24.11	4.94	22.91	4.62
	5	34.57	2.51	32.91	2.62	31.52	2.98	29.53	4.60	27.87	4.96	26.48	4.64
	17	41.08	3.87	39.67	3.98	38.49	4.41	36.68	6.00	35.26	6.47	34.08	6.16
	47	59.30	3.54	58.31	3.65	57.55	4.06	56.19	5.66	55.23	6.10	54.48	5.79
60%	-4	25.47	2.42	25.19	2.52	24.90	2.75	24.62	4.27	22.91	4.61	21.69	4.32
	5	33.15	2.43	31.52	2.53	30.13	2.76	28.11	4.29	26.48	4.63	25.07	4.34
	17	39.70	3.74	38.25	3.85	37.07	4.07	35.29	5.61	33.87	6.05	32.70	5.76
	47	57.88	3.42	56.89	3.53	56.16	3.75	54.81	5.29	53.81	5.70	53.06	5.42
50%	-4	23.42	2.33	23.35	2.43	23.29	2.65	23.23	4.13	21.50	4.45	20.31	4.18
	5	31.55	2.34	29.89	2.44	28.50	2.66	26.51	4.14	24.85	4.47	23.47	4.19
	17	38.07	3.61	36.65	3.71	35.47	3.93	33.66	5.41	32.24	5.84	31.07	5.56
	47	56.29	3.30	55.29	3.40	54.54	3.62	53.18	5.11	52.21	5.51	51.46	5.23

Haier MRV-S Series Submittal

56,000 BTU/HR INVERTER DRIVEN MULTI-ZONE VRF HEAT PUMP SYSTEM

MVHP056MV2AA



Haier MRV-S Series Submittal

7000 BTU/HR WALL MOUNTED INDOOR UNIT

MVAW007MV2AA

Job Name: _____

Purchaser: _____

Submitted To: _____

Construction: _____

Reference: _____

Approval: _____

Date: _____

Submitted By: _____

Unit: _____

Drawing #: _____



Electrical Requirement

Power Supply	208/230V, 1 Phase, 60 HZ
Operating Voltage Range	187~253 VAC

Performance

Rated Cooling Capacity	7,000 BTU
Rated Heating Capacity	8,600 BTU

Piping

Connections (Flare)	1/4" (Liquid) 1/2" (Vapor)
Drain Pipe (O.D)	5/8"

Indoor Unit

Uncrated Dimension (HxWxD)	11 x 33 5/8 x 7 7/8 in (280 x 855 x 200 mm)
Crated (HxWxD)	14 x 37 1/2 x 11 in (355 x 954 x 279 mm)
Airflow CFM (High/Med/Low)	324/282/247
Indoor Sound Level dB (High/Med/Low)	35/31/29
Motor Rating (HP)	0.027
Heat Exchanger Fin Type	Blue Fin
Weight (Ship/Net)	28.0/23.1 lbs

Accessories

Remote Control

Compatible with YR-HD

Wired Controller

Compatible with wired controller YR-E17, YR-E16B and YCZ-A004



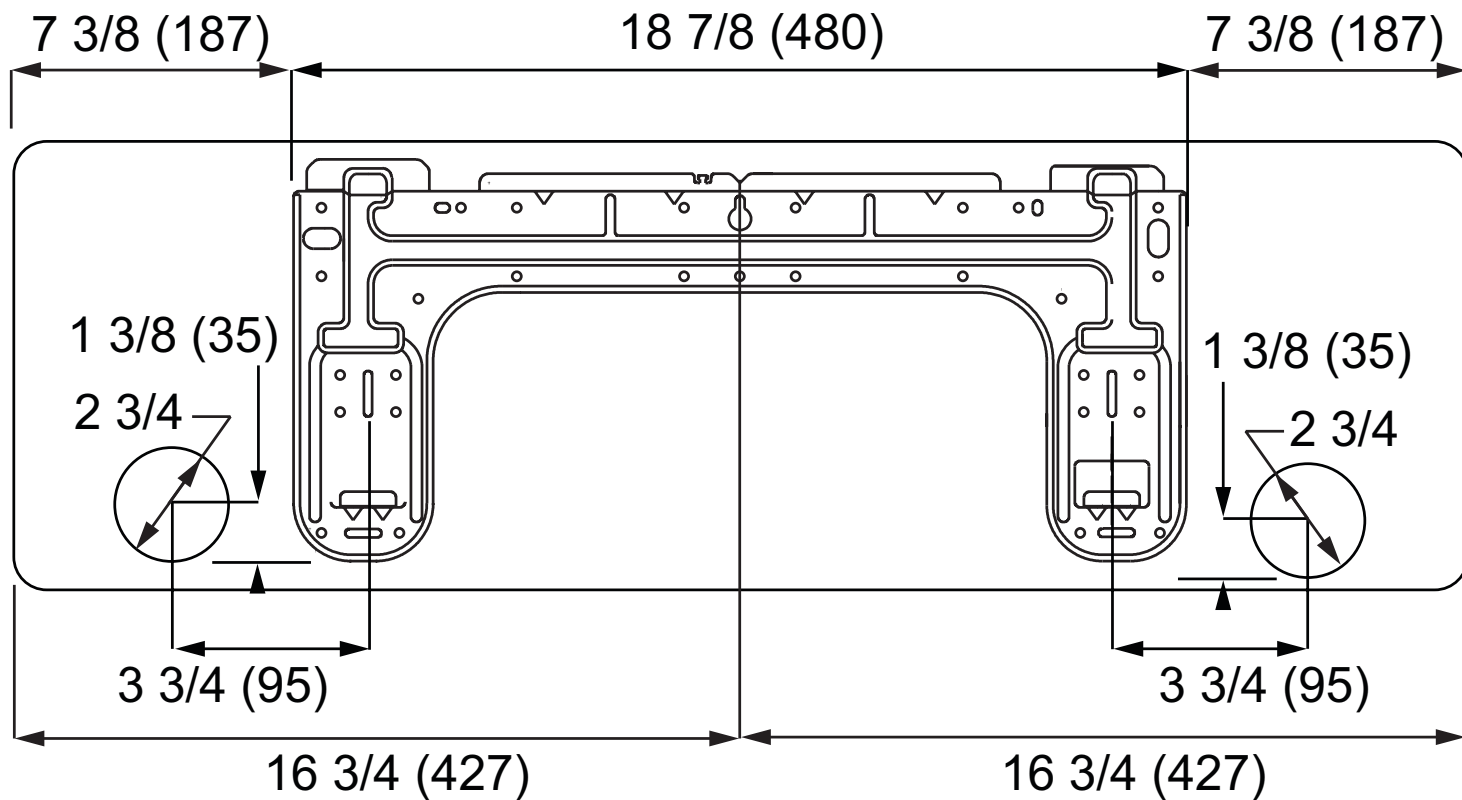
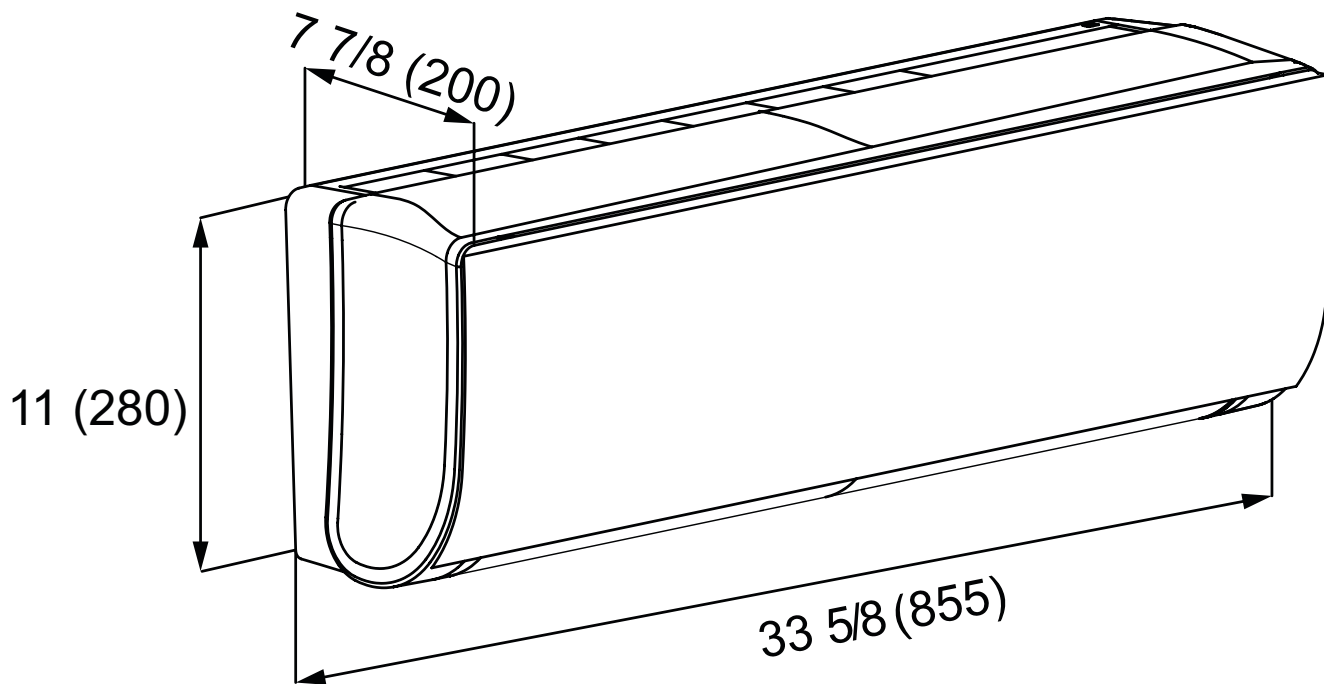
For more information visit us:
www.Haierductless.com
www.Haierductlesshelp.com



Haier MRV-S Series Submittal

7000 BTU/HR WALL MOUNTED INDOOR UNIT

MVAW007MV2AA



Haier MRV-S Series Submittal

9000 BTU/HR WALL MOUNTED INDOOR UNIT

MVAW009MV2AA

Job Name: _____

Purchaser: _____

Submitted To: _____

Construction: _____

Reference: _____

Approval: _____

Date: _____

Submitted By: _____

Unit: _____

Drawing #: _____



Electrical Requirement

Power Supply	208/230V, 1 Phase, 60 HZ
Operating Voltage Range	187~253 VAC

Performance

Rated Cooling Capacity	9,000 BTU
Rated Heating Capacity	10,600 BTU

Piping

Connections (Flare)	1/4" (Liquid) 1/2" (Vapor)
Drain Pipe (O.D)	5/8"

Indoor Unit

Uncrated Dimension (HxWxD)	11 x 33 5/8 x 7 7/8 in (280 x 855 x 200 mm)
Crated (HxWxD)	14 x 37 1/2 x 11 in (355 x 954 x 279 mm)
Airflow CFM (High/Med/Low)	353/312/276
Indoor Sound Level dB (High/Med/Low)	36/31/29
Motor Rating (HP)	0.027
Heat Exchanger Fin Type	Blue Fin
Weight (Ship/Net)	28.0/23.1 lbs

Accessories

Remote Control

Compatible with YR-HD

Wired Controller

Compatible with wired controller YR-E17, YR-E16B and YCZ-A004



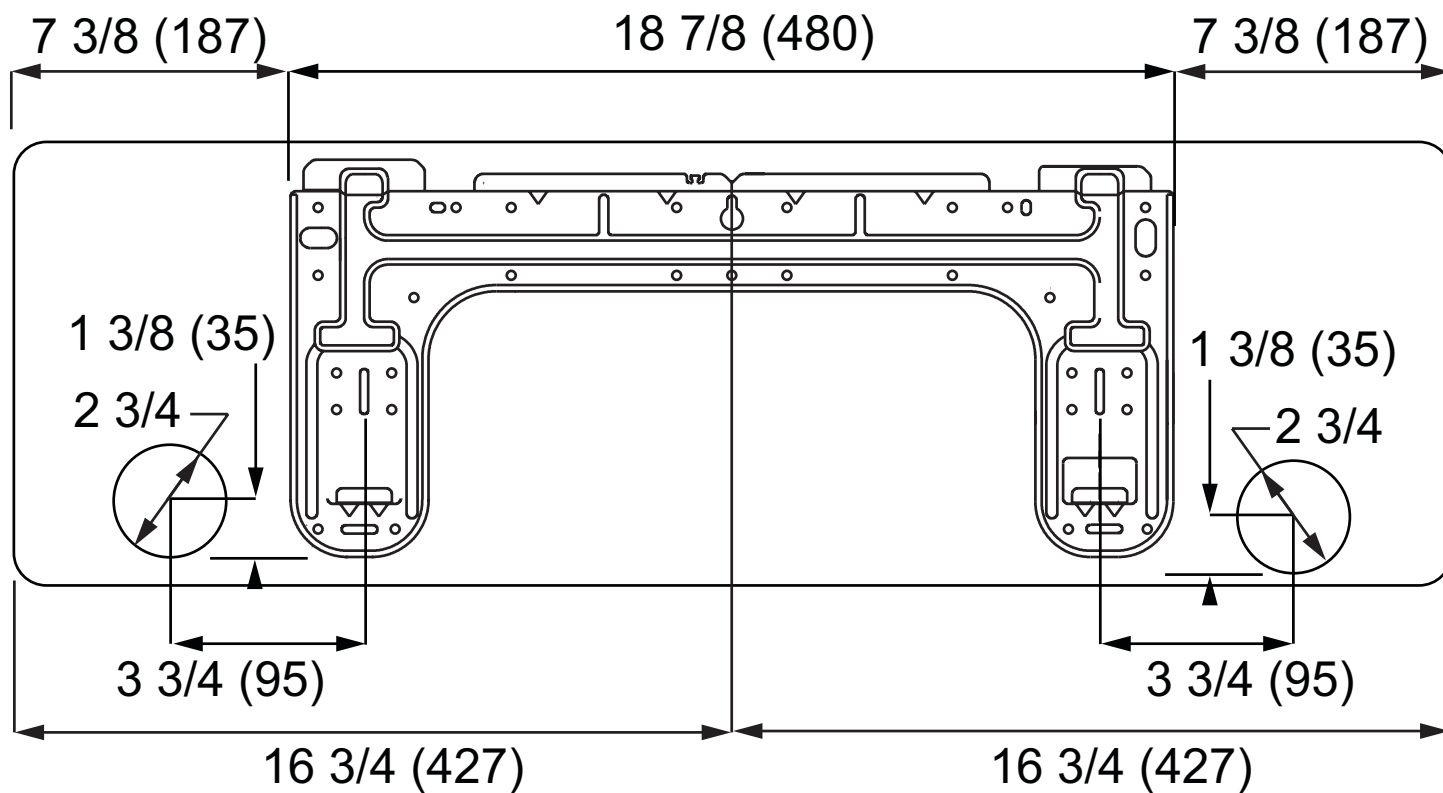
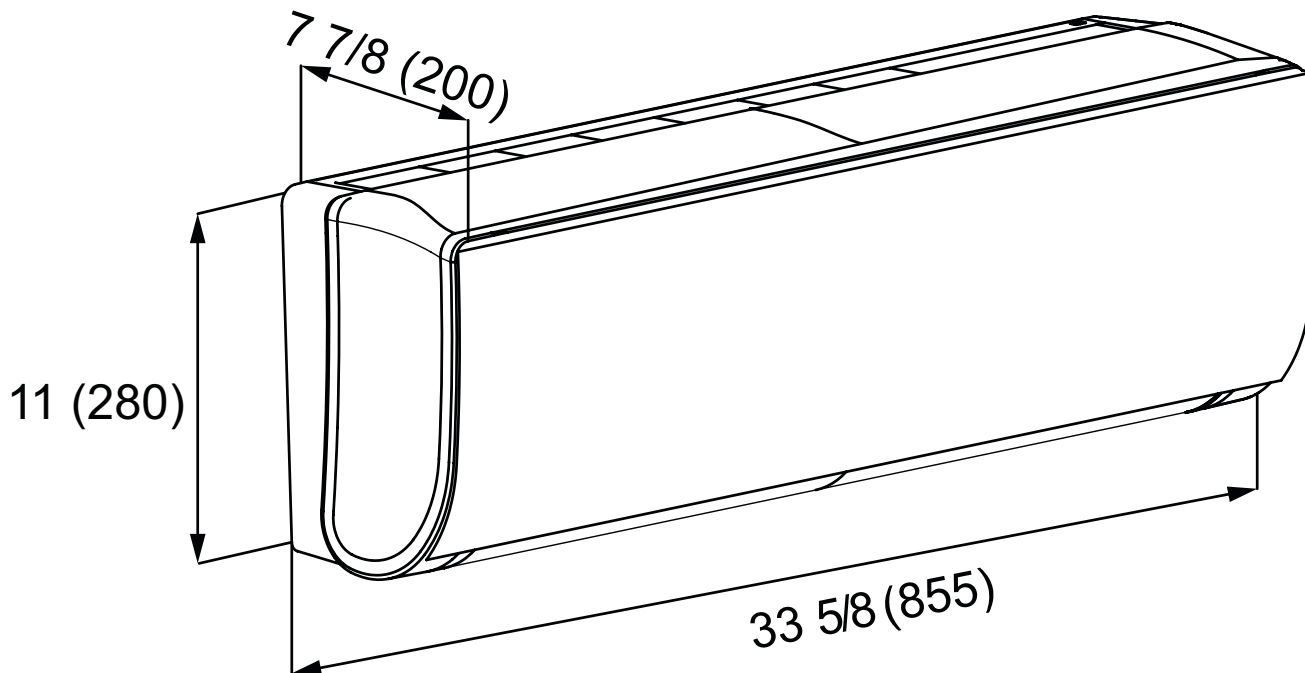
For more information visit us:
www.Haierductless.com
www.Haierductlesshelp.com



Haier MRV-S Series Submittal

9000 BTU/HR WALL MOUNTED INDOOR UNIT

MVAW009MV2AA



Haier MRV-S Series Submittal

12000 BTU/HR WALL MOUNTED INDOOR UNIT

MVAW012MV2AA

Job Name: _____

Purchaser: _____

Submitted To: _____

Construction: _____

Reference: _____

Approval: _____

Date: _____

Submitted By: _____

Unit: _____

Drawing #: _____



Electrical Requirement

Power Supply	208/230V, 1 Phase, 60 HZ
Operating Voltage Range	187~253 VAC

Performance

Rated Cooling Capacity	12,000 BTU
Rated Heating Capacity	13,600 BTU

Piping

Connections (Flare)	1/4" (Liquid) 1/2" (Vapor)
Drain Pipe (O.D)	5/8"

Indoor Unit

Uncrated Dimension (HxWxD)	11 x 33 5/8 x 7 7/8 in (280 x 855 x 200 mm)
Crated (HxWxD)	14 x 37 1/2 x 11 in (355 x 954 x 279 mm)
Airflow CFM (High/Med/Low)	371/329/294
Indoor Sound Level dB (High/Med/Low)	37/33/29
Motor Rating (HP)	0.040
Heat Exchanger Fin Type	Blue Fin
Weight (Ship/Net)	28.0/23.1 lbs

Accessories

Remote Control

Compatible with YR-HD

Wired Controller

Compatible with wired controller YR-E17, YR-E16B and YCZ-A004



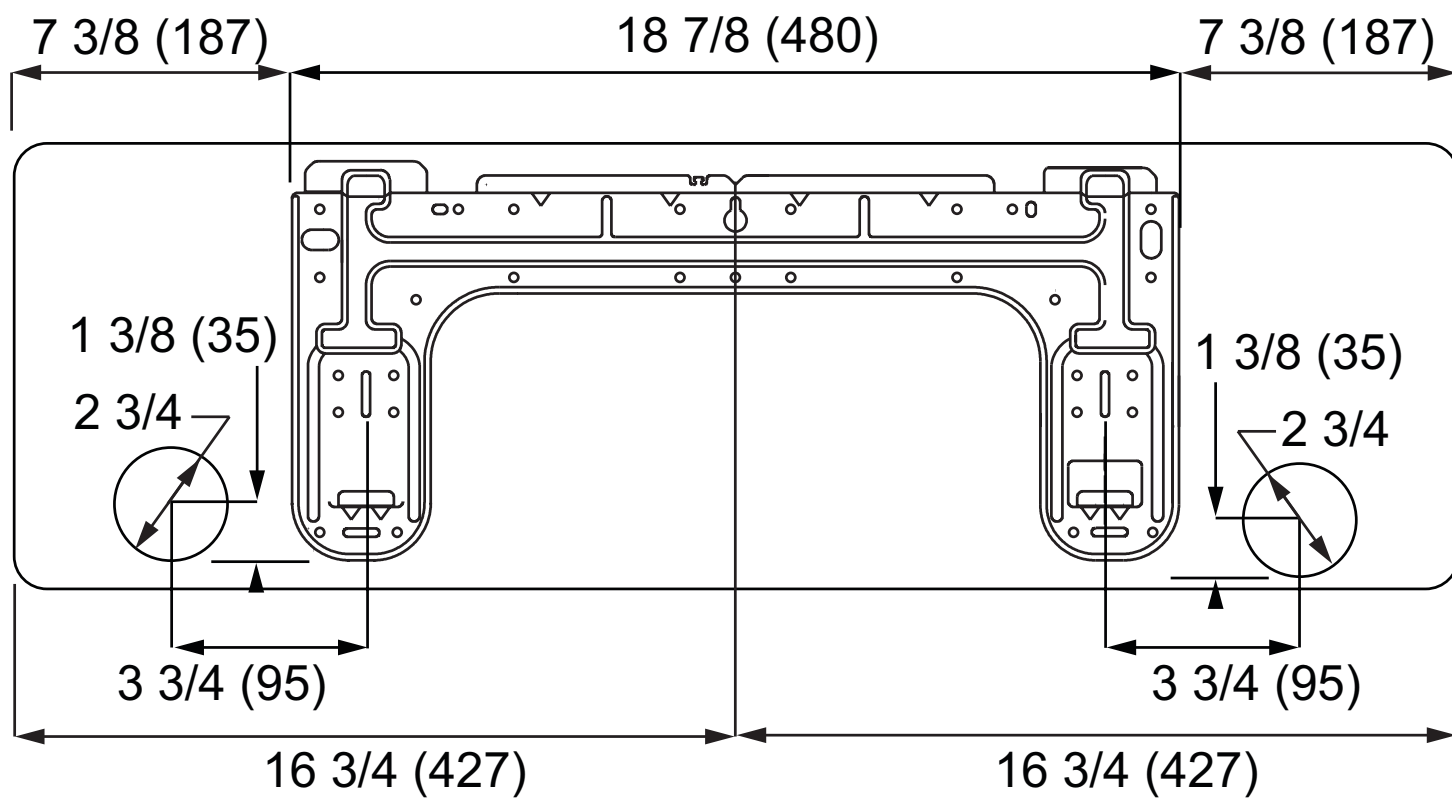
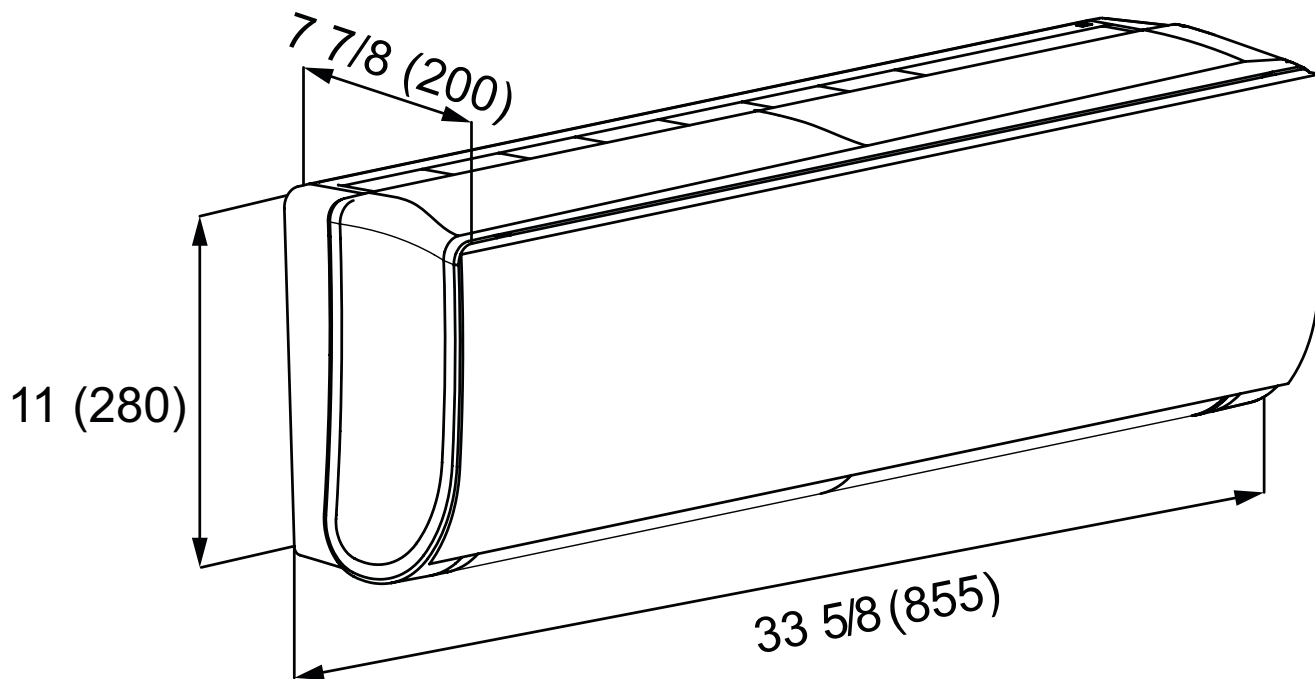
For more information visit us:
www.Haierductless.com
www.Haierductlesshelp.com



Haier MRV-S Series Submittal

12000 BTU/HR WALL MOUNTED INDOOR UNIT

MVAW012MV2AA



Haier MRV-S Series Submittal

18000 BTU/HR WALL MOUNTED INDOOR UNIT

MVAW018MV2AA

Job Name: _____

Purchaser: _____

Submitted To: _____

Construction: _____

Reference: _____

Approval: _____

Date: _____

Submitted By: _____

Unit: _____

Drawing #: _____



Electrical Requirement

Power Supply	208/230V, 1 Phase, 60 HZ
Operating Voltage Range	187~253 VAC

Performance

Rated Cooling Capacity	18,000 BTU
Rated Heating Capacity	20,600 BTU

Piping

Connections (Flare)	1/4" (Liquid) 1/2" (Vapor)
Drain Pipe (O.D)	5/8"

Indoor Unit

Uncrated Dimension (HxWxD)	13 1/4 x 43 7/8 x 9 5/8 in (336 x 1115 x 243 mm)
Crated (HxWxD)	16 1/2 x 47 1/2 x 13 1/2 in (418 x 1206 x 342 mm)
Airflow CFM (High/Med/Low)	541/471/424
Indoor Sound Level dB (High/Med/Low)	40/39/35
Motor Rating (HP)	0.040
Heat Exchanger Fin Type	Blue Fin
Weight (Ship/Net)	44.3/36.4 lbs

Accessories

Remote Control

Compatible with YR-HD

Wired Controller

Compatible with wired controller YR-E17, YR-E16B and YCZ-A004



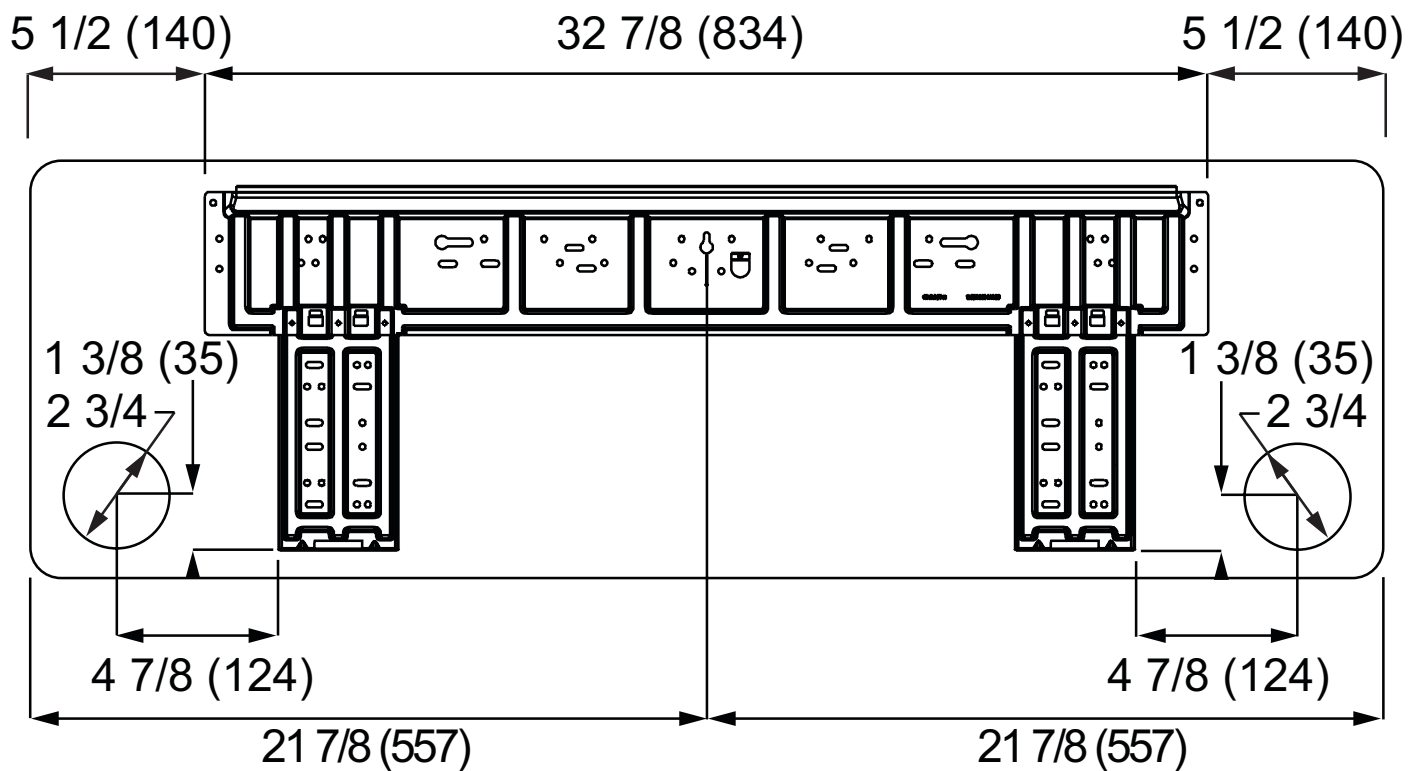
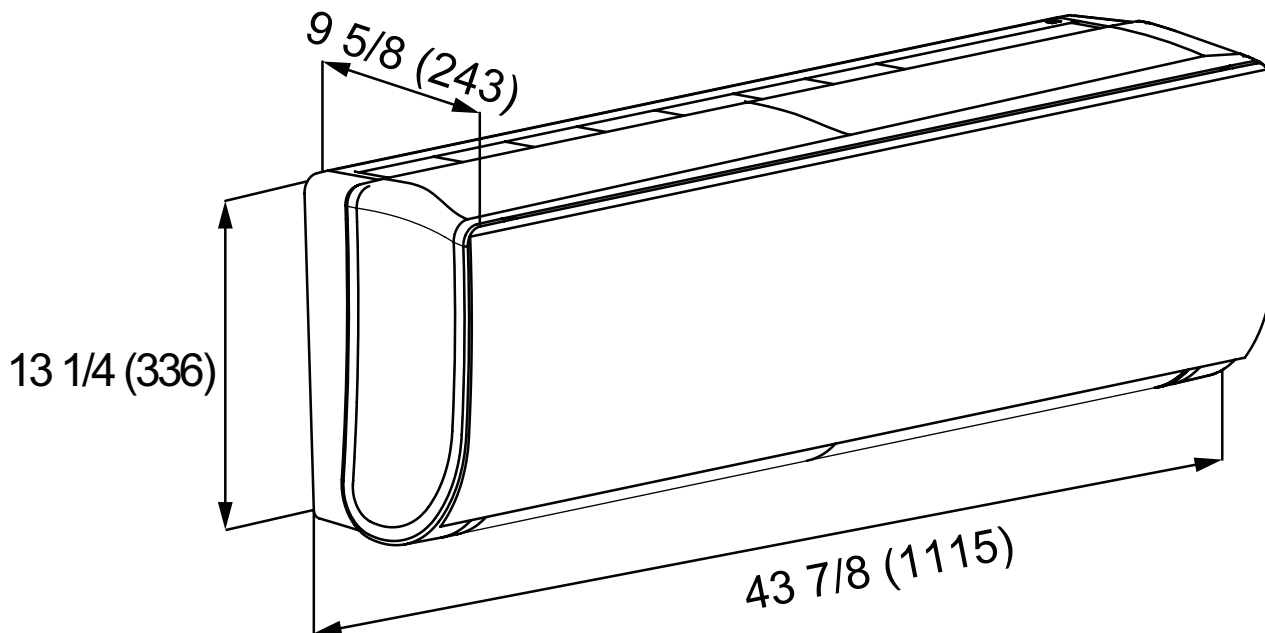
For more information visit us:
www.Haierductless.com
www.Haierductlesshelp.com



Haier MRV-S Series Submittal

18000 BTU/HR WALL MOUNTED INDOOR UNIT

MVAW018MV2AA



Haier MRV-S Series Submittal

24000 BTU/HR WALL MOUNTED INDOOR UNIT

MVAW024MV2AA

Job Name: _____

Purchaser: _____

Submitted To: _____

Construction: _____

Reference: _____

Approval: _____

Date: _____

Submitted By: _____

Unit: _____

Drawing #: _____



Electrical Requirement

Power Supply	208/230V, 1 Phase, 60 HZ
Operating Voltage Range	187~253 VAC

Performance

Rated Cooling Capacity	24,000 BTU
Rated Heating Capacity	27,000 BTU

Piping

Connections (Flare)	3/8" (Liquid) 5/8" (Vapor)
Drain Pipe (O.D)	5/8"

Indoor Unit

Uncrated Dimension (HxWxD)	13 1/4 x 43 7/8 x 9 5/8 in (336 x 1115 x 243 mm)
Crated (HxWxD)	16 1/2 x 47 1/2 x 13 1/2 in (418 x 1206 x 342 mm)
Airflow CFM (High/Med/Low)	594/541/471
Indoor Sound Level dB (High/Med/Low)	44/40/36
Motor Rating (HP)	0.054
Heat Exchanger Fin Type	Blue Fin
Weight (Ship/Net)	44.3/36.4 lbs

Accessories

Remote Control

Compatible with YR-HD

Wired Controller

Compatible with wired controller YR-E17, YR-E16B and YCZ-A004



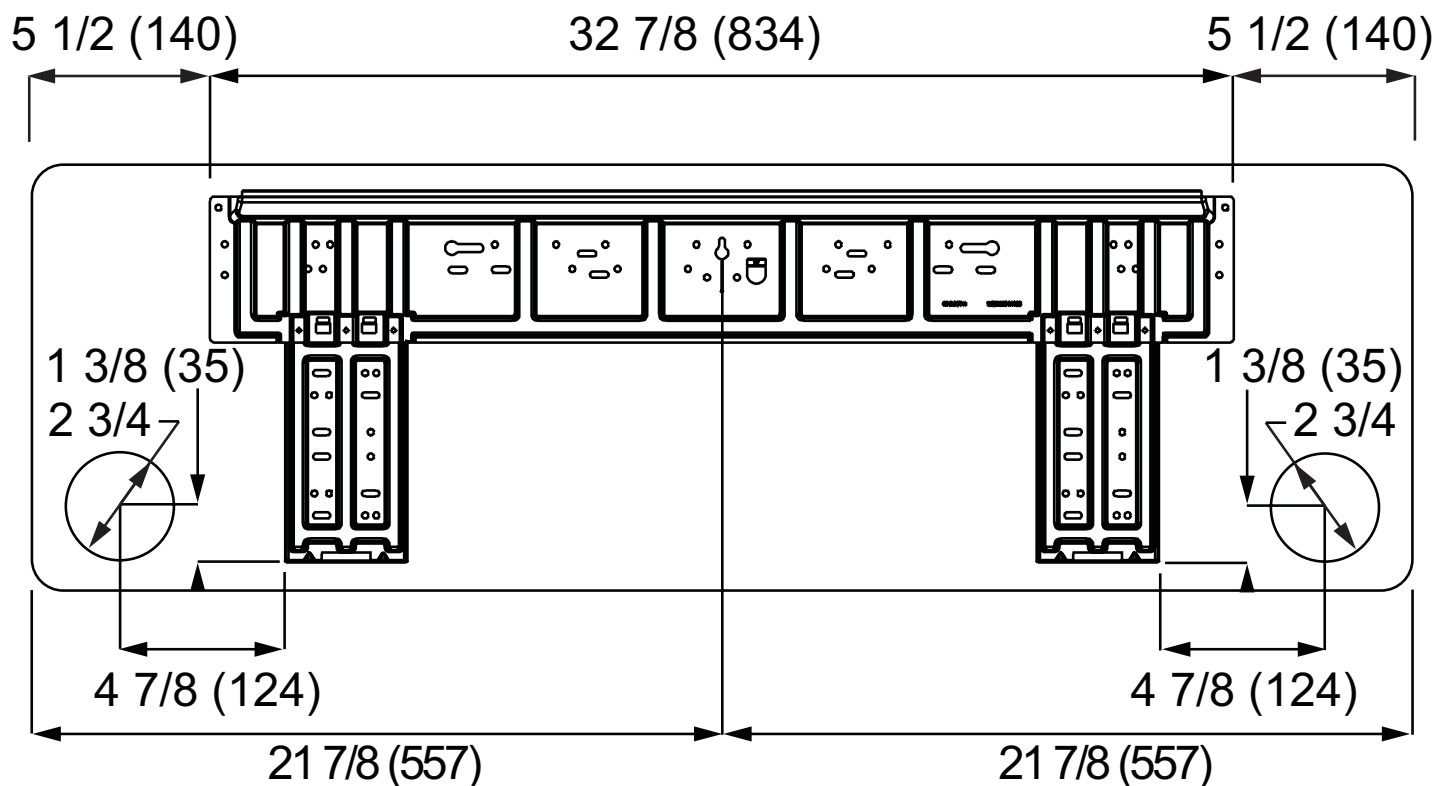
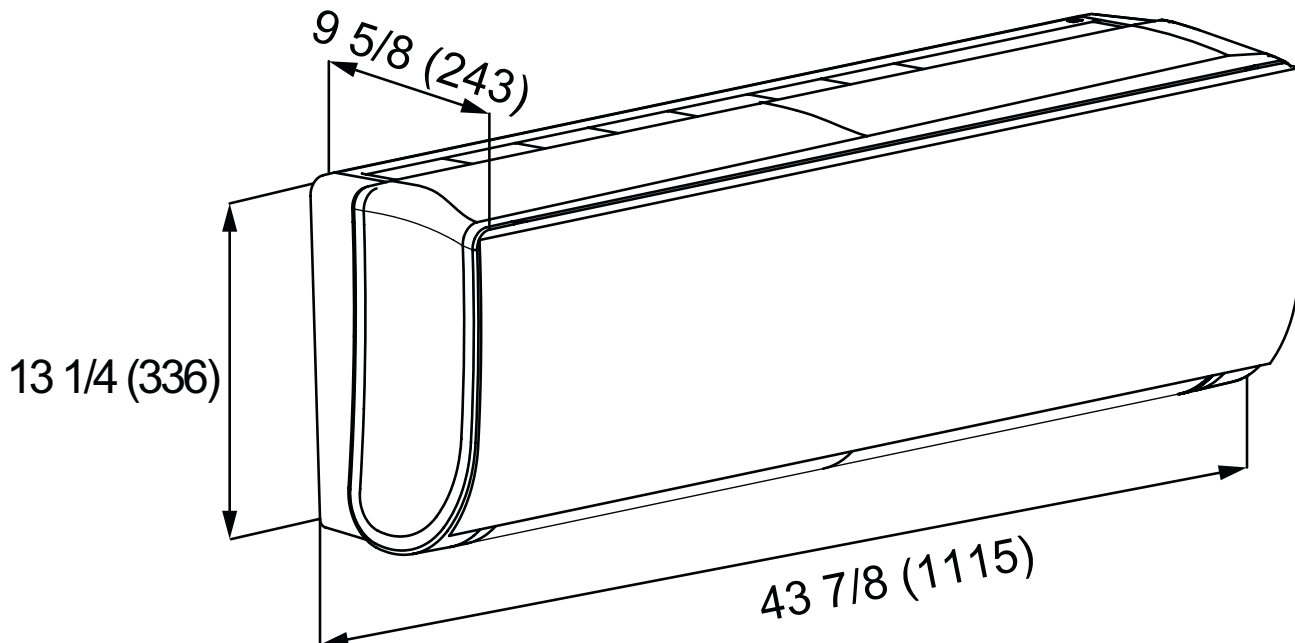
For more information visit us:
www.Haierductless.com
www.Haierductlesshelp.com



Haier MRV-S Series Submittal

24000 BTU/HR WALL MOUNTED INDOOR UNIT

MVAW024MV2AA



Haier MRV-S Series Submittal

30000 BTU/HR WALL MOUNTED INDOOR UNIT

MVAW030MV2AA

Job Name: _____

Purchaser: _____

Submitted To: _____

Construction: _____

Reference: _____

Approval: _____

Date: _____

Submitted By: _____

Unit: _____

Drawing #: _____



Electrical Requirement

Power Supply	208/230V, 1 Phase, 60 HZ
Operating Voltage Range	187~253 VAC

Performance

Rated Cooling Capacity	30,000 BTU
Rated Heating Capacity	34,000 BTU

Piping

Connections (Flare)	3/8" (Liquid)
	5/8" (Vapor)
Drain Pipe (O.D)	5/8"

Accessories

Remote Control

Compatible with YR-HD

Wired Controller

Compatible with wired controller YR-E17, YR-E16B and YCZ-A004

Indoor Unit	
Uncrated Dimension (HxWxD)	14 1/4 x 51 3/4 x 10 5/8 in (365 x 1316 x 270 mm)
Crated (HxWxD)	18 1/4 x 55 1/4 x 15 1/8 in (463 x 1403 x 384 mm)
Airflow CFM (High/Med/Low)	941/882/824
Indoor Sound Level dB (High/Med/Low)	49/44/41
Motor Rating (HP)	0.094
Heat Exchanger Fin Type	Blue Fin
Weight (Ship/Net)	57.3/47.4 lbs



For more information visit us:
www.Haierductless.com
www.Haierductlesshelp.com



Haier MRV-S Series Submittal

9000 BTU/HR COMPACT CASSETTE TYPE INDOOR UNIT

MVAB009MV2AA

Job Name: _____

Purchaser: _____

Submitted To: _____

Construction: _____

Reference: _____

Approval: _____

Date: _____

Submitted By: _____

Unit: _____

Drawing #: _____



Electrical Requirement

Power Supply	208/230V, 1 Phase, 60 HZ
Operating Voltage Range	187~253 VAC

Performance

Rated Cooling Capacity	9,000 BTU
Rated Heating Capacity	10,000 BTU

Piping

Connections (Flare)	1/4" (Liquid) 1/2" (Vapor)
Drain Pipe (O.D)	1 1/4"

Accessories

Remote Control

Compatible with YR-HD

Wired Controller

Compatible with wired controller YR-E17, YR-E16B and YCZ-A004

Grille

PB-620KB is required to complete the installation and it must be ordered separately

Indoor Unit	
Chassis Uncrated Dimension (HxWxD)	11 1/4 x 22 7/8 x 22 7/8 in (260 x 570 x 570 mm)
Chassis Crated (HxWxD)	15 x 28 1/4 x 26 3/4 in (380 x 718 x 680 mm)
Grille Model	PB-620KB
Grille Uncrated Dimension (HxWxD)	2 3/8 x 24 3/8 x 24 3/8 in (60 x 620 x 620 mm)
Grille Crated (HxWxD)	4 1/2 x 26 x 26 in (115 x 660 x 660 mm)
Airflow CFM (High/Med/Low)	700/590/480
Indoor Sound Level dB (High/Med/Low)	32/30/29
Motor Rating (HP)	0.034
Heat Exchanger Fin Type	Blue Fin
Condensate Pump	Included - 27.5 in Lift
Weight (Ship/Net)	64.0/49.8 lbs



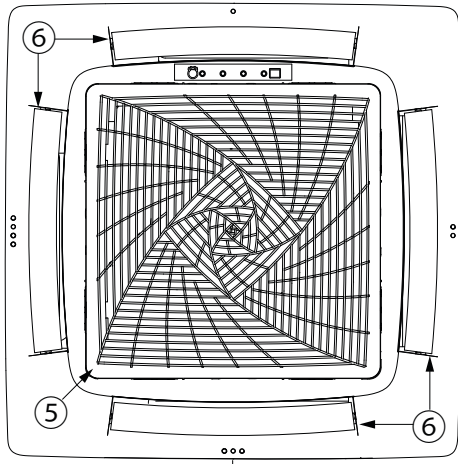
For more information visit us:
www.Haierductless.com
www.Haierductlesshelp.com



Haier MRV-S Series Submittal

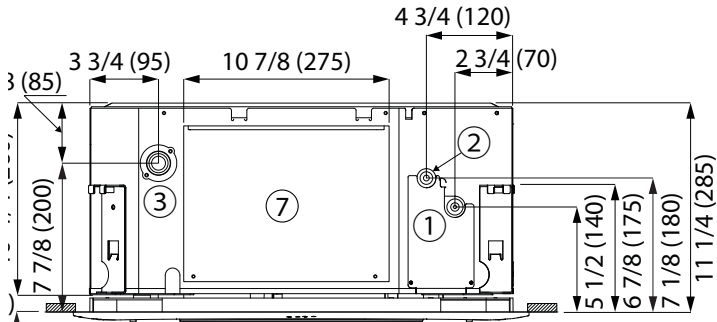
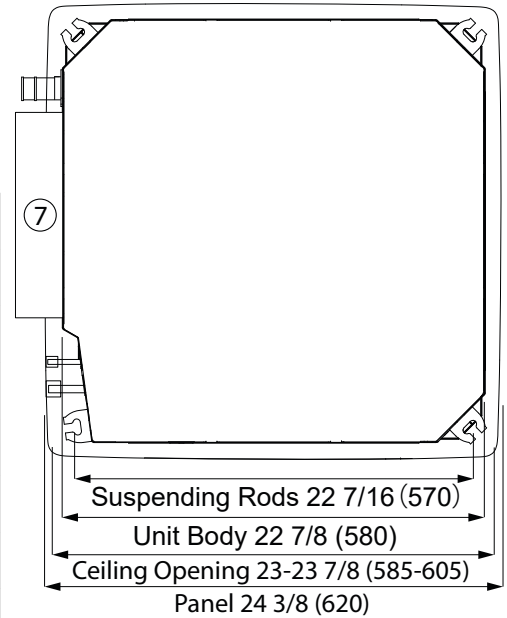
9000 BTU/HR COMPACT CASSETTE TYPE INDOOR UNIT

MVAB009MV2AA

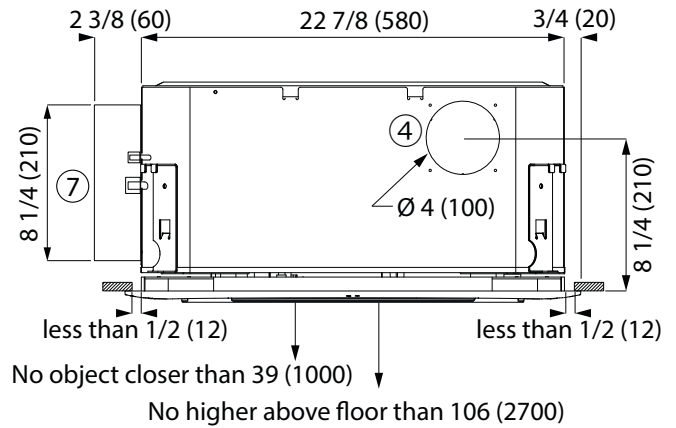


More than 59 (1500) to wall on all sides

#	Part Name
1	Vapor Pipe
2	Liquid Pipe
3	Drain Pump Outlet
4	Fresh Air Inlet
5	Air Return Grille
6	Air Supply
7	Control Box



inch recess between ceiling surface and bottom unit without panel on.



Haier MRV-S Series Submittal

12000 BTU/HR COMPACT CASSETTE TYPE INDOOR UNIT

MVAB012MV2AA

Job Name: _____

Purchaser: _____

Submitted To: _____

Construction: _____

Reference: _____

Approval: _____

Date: _____

Submitted By: _____

Unit: _____

Drawing #: _____



Electrical Requirement

Power Supply	208/230V, 1 Phase, 60 HZ
Operating Voltage Range	187~253 VAC

Performance

Rated Cooling Capacity	12,000 BTU
Rated Heating Capacity	13,500 BTU

Piping

Connections (Flare)	1/4" (Liquid) 1/2" (Vapor)
Drain Pipe (O.D)	1 1/4"

Indoor Unit

Chassis Uncrated Dimension (HxWxD)	11 1/4 x 22 7/8 x 22 7/8 in (260 x 570 x 570 mm)
Chassis Crated (HxWxD)	15 x 28 1/4 x 26 3/4 in (380 x 718 x 680 mm)
Grille Model	PB-620KB
Grille Uncrated Dimension (HxWxD)	2 3/8 x 24 3/8 x 24 3/8 in (60 x 620 x 620 mm)
Grille Crated (HxWxD)	4 1/2 x 26 x 26 in (115 x 660 x 660 mm)
Airflow CFM (High/Med/Low)	700/590/480
Indoor Sound Level dB (High/Med/Low)	32/30/29
Motor Rating (HP)	0.034
Heat Exchanger Fin Type	Blue Fin
Condensate Pump	Included - 27.5 in Lift
Weight (Ship/Net)	68.6/54.2 lbs

Accessories

Remote Control

Compatible with YR-HD

Wired Controller

Compatible with wired controller YR-E17, YR-E16B and YCZ-A004

Grille

PB-620KB is required to complete the installation and it must be ordered separately



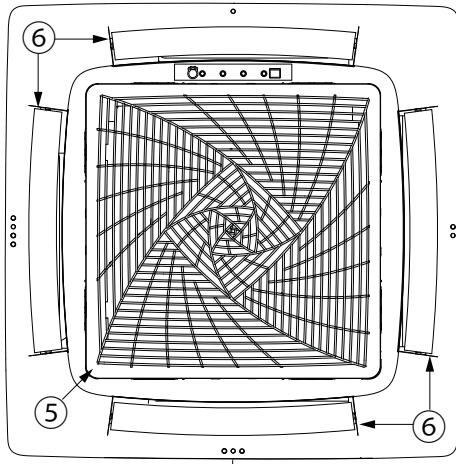
For more information visit us:
www.Haierductless.com
www.Haierductlesshelp.com



Haier MRV-S Series Submittal

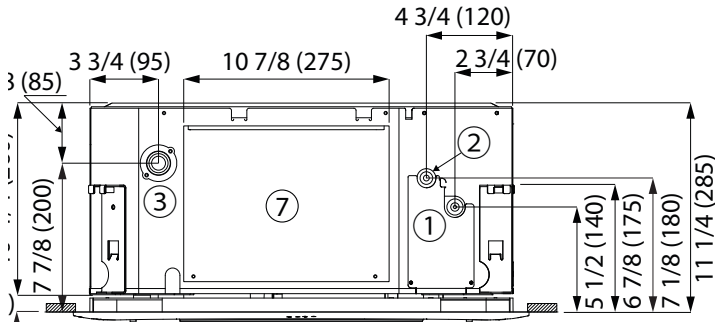
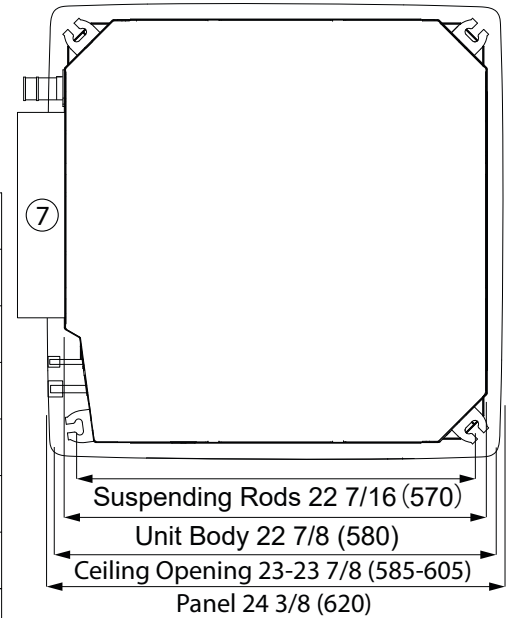
12000 BTU/HR COMPACT CASSETTE TYPE INDOOR UNIT

MVAB012MV2AA

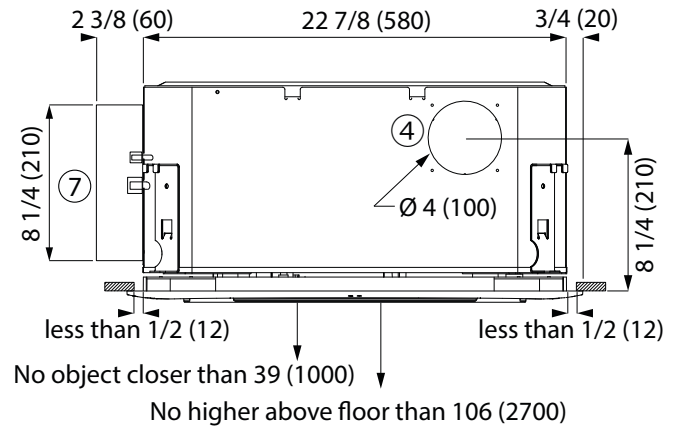


More than 59 (1500) to wall on all sides

#	Part Name
1	Vapor Pipe
2	Liquid Pipe
3	Drain Pump Outlet
4	Fresh Air Inlet
5	Air Return Grille
6	Air Supply
7	Control Box



inch recess between ceiling surface and bottom unit without panel on.



Haier MRV-S Series Submittal

18000 BTU/HR COMPACT CASSETTE TYPE INDOOR UNIT

MVAB018MV2AA

Job Name: _____

Purchaser: _____

Submitted To: _____

Construction: _____

Reference: _____

Approval: _____

Date: _____

Submitted By: _____

Unit: _____

Drawing #: _____



Electrical Requirement

Power Supply	208/230V, 1 Phase, 60 HZ
Operating Voltage Range	187~253 VAC

Performance

Rated Cooling Capacity	19,000 BTU
Rated Heating Capacity	21,000 BTU

Piping

Connections (Flare)	1/4" (Liquid) 1/2" (Vapor)
Drain Pipe (O.D)	1 1/4"

Indoor Unit

Chassis Uncrated Dimension (HxWxD)	11 1/4 x 22 7/8 x 22 7/8 in (260 x 570 x 570 mm)
Chassis Crated (HxWxD)	15 x 28 1/4 x 26 3/4 in (380 x 718 x 680 mm)
Grille Model	PB-620KB
Grille Uncrated Dimension (HxWxD)	2 3/8 x 24 3/8 x 24 3/8 in (60 x 620 x 620 mm)
Grille Crated (HxWxD)	4 1/2 x 26 x 26 in (115 x 660 x 660 mm)
Airflow CFM (High/Med/Low)	700/590/480
Indoor Sound Level dB (High/Med/Low)	33/30/29
Motor Rating (HP)	0.034
Heat Exchanger Fin Type	Blue Fin
Condensate Pump	Included - 27.5 in Lift
Weight (Ship/Net)	68.6/54.2 lbs

Accessories

Remote Control

Compatible with YR-HD

Wired Controller

Compatible with wired controller YR-E17, YR-E16B and YCZ-A004

Grille

PB-620KB is required to complete the installation and it must be ordered separately



For more information visit us:
www.Haierductless.com
www.Haierductlesshelp.com



Haier MRV-S Series Submittal

9000 BTU/HR LARGE CASSETTE TYPE INDOOR UNIT

MVAL009MV2AA

Job Name: _____

Purchaser: _____

Submitted To: _____

Construction: _____

Reference: _____

Approval: _____

Date: _____

Submitted By: _____

Unit: _____

Drawing #: _____



Electrical Requirement

Power Supply	208/230V, 1 Phase, 60 HZ
Operating Voltage Range	187~253 VAC

Performance

Rated Cooling Capacity	9,000 BTU
Rated Heating Capacity	10,000 BTU

Piping

Connections (Flare)	1/4" (Liquid) 1/2" (Vapor)
Drain Pipe (O.D)	1"

Indoor Unit

Chassis Uncrated Dimension (HxWxD)	7 1/4 x 33 1/8 x 33 1/8 in (183 x 840 x 840 mm)
Chassis Crated (HxWxD)	10 1/2 x 38 3/4 x 38 3/4 in (268 x 983 x 983 mm)
Grille Model	PB-950KC
Grille Uncrated Dimension (HxWxD)	2 x 37 3/8 x 373/8 in (50 x 950 x 950 mm)
Grille Crated (HxWxD)	4 7/8 x 39 7/8 x 40 3/8 in (123 x 1013 x 1025 mm)
Airflow CFM (High/Med/Low)	1000/810/620
Indoor Sound Level dB (High/Med/Low)	30/27/25
Motor Rating (HP)	0.066
Heat Exchanger Fin Type	Blue Fin
Condensate Pump	Included - 37.4 in Lift
Weight (Ship/Net)	88.2/76.1 lbs

Accessories

Remote Control

Compatible with YR-HBS01

Wired Controller

Compatible with wired controller YR-E17, YR-E16B and YCZ-A004

Grille

PB-950KC is required to complete the installation and it must be ordered separately



YR-HBS01



YR-E17



YR-E16b



ACZ-A004



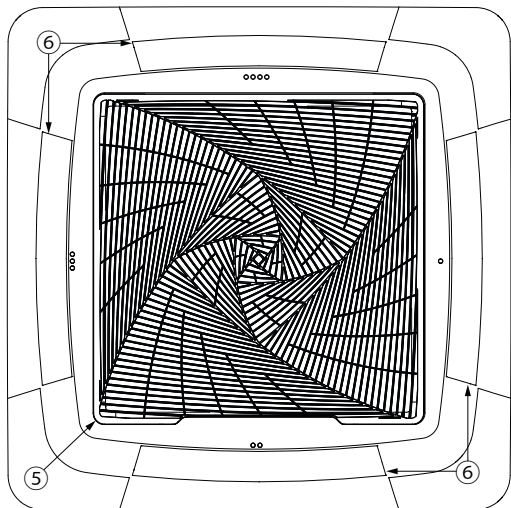
For more information visit us:
www.Haierductless.com
www.Haierductlesshelp.com



Haier MRV-S Series Submittal

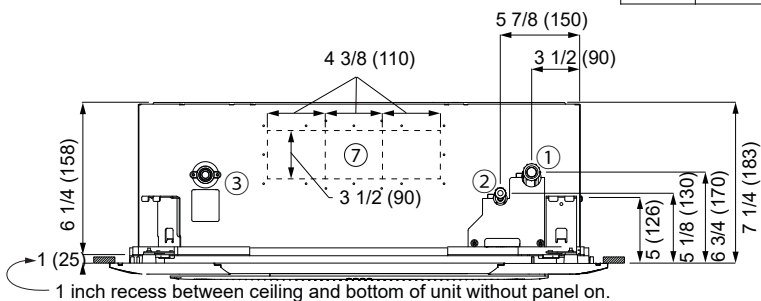
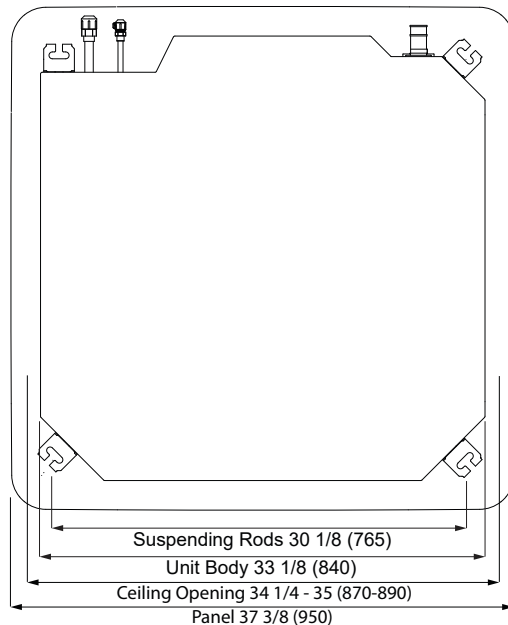
9000 BTU/HR LARGE CASSETTE TYPE INDOOR UNIT

MVAL009MV2AA

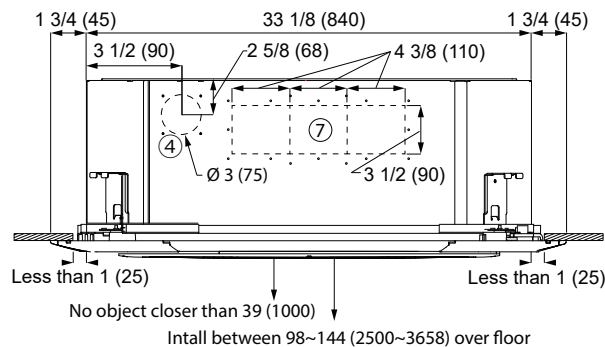


More than 59 (1500) to wall on all sides

#	Part Name
1	Vapor Pipe
2	Liquid Pipe
3	Drain Pump Outlet
4	Fresh Air Inlet
5	Air Return Grille
6	Air Supply
7	Auxiliary Air Supply



1 inch recess between ceiling and bottom of unit without panel on.



No object closer than 39 (1000)
Intall between 98~144 (2500~3658) over floor

Haier MRV-S Series Submittal

12000 BTU/HR LARGE CASSETTE TYPE INDOOR UNIT

MVAL012MV2AA

Job Name: _____

Purchaser: _____

Submitted To: _____

Construction: _____

Reference: _____

Approval: _____

Date: _____

Submitted By: _____

Unit: _____

Drawing #: _____



Electrical Requirement

Power Supply	208/230V, 1 Phase, 60 HZ
Operating Voltage Range	187~253 VAC

Performance

Rated Cooling Capacity	12,000 BTU
Rated Heating Capacity	13,500 BTU

Piping

Connections (Flare)	1/4" (Liquid) 1/2" (Vapor)
Drain Pipe (O.D)	1"

Indoor Unit

Chassis Uncrated Dimension (HxWxD)	7 1/4 x 33 1/8 x 33 1/8 in (183 x 840 x 840 mm)
Chassis Crated (HxWxD)	10 1/2 x 38 3/4 x 38 3/4 in (268 x 983 x 983 mm)
Grille Model	PB-950KC
Grille Uncrated Dimension (HxWxD)	2 x 37 3/8 x 373/8 in (50 x 950 x 950 mm)
Grille Crated (HxWxD)	4 7/8 x 39 7/8 x 40 3/8 in (123 x 1013 x 1025 mm)
Airflow CFM (High/Med/Low)	1000/810/620
Indoor Sound Level dB (High/Med/Low)	30/27/25
Motor Rating (HP)	0.066
Heat Exchanger Fin Type	Blue Fin
Condensate Pump	Included - 37.4 in Lift
Weight (Ship/Net)	88.2/76.1 lbs

Accessories

Remote Control

Compatible with YR-HBS01

Wired Controller

Compatible with wired controller YR-E17, YR-E16B and YCZ-A004

Grille

PB-950KC is required to complete the installation and it must be ordered separately



YR-HBS01



YR-E17



YR-E16b



ACZ-A004



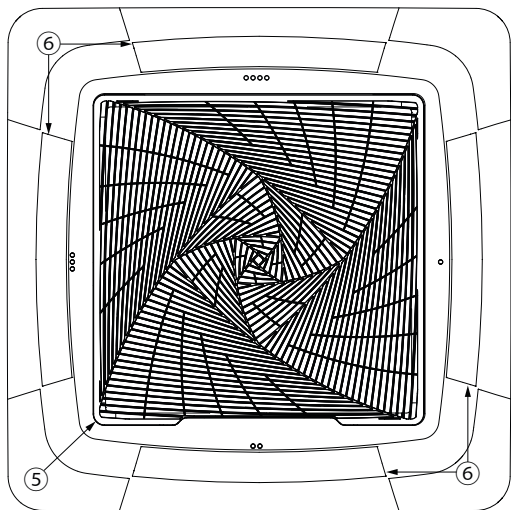
For more information visit us:
www.Haierductless.com
www.Haierductlesshelp.com



Haier MRV-S Series Submittal

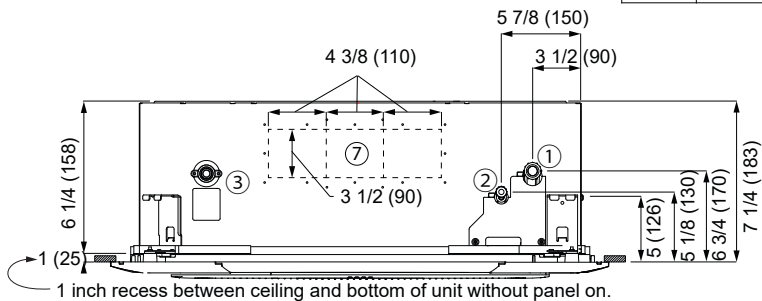
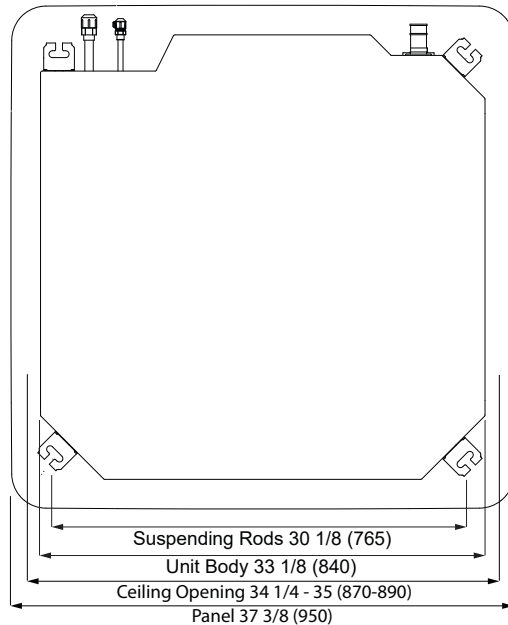
12000 BTU/HR LARGE CASSETTE TYPE INDOOR UNIT

MVAL012MV2AA

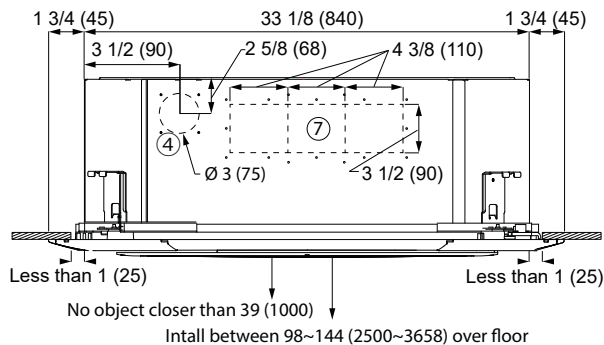


More than 59 (1500) to wall on all sides

#	Part Name
1	Vapor Pipe
2	Liquid Pipe
3	Drain Pump Outlet
4	Fresh Air Inlet
5	Air Return Grille
6	Air Supply
7	Auxiliary Air Supply



1 inch recess between ceiling and bottom of unit without panel on.



Haier MRV-S Series Submittal

18000 BTU/HR LARGE CASSETTE TYPE INDOOR UNIT

MVAL018MV2AA

Job Name: _____

Purchaser: _____

Submitted To: _____

Construction: _____

Reference: _____

Approval: _____

Date: _____

Submitted By: _____

Unit: _____

Drawing #: _____



Electrical Requirement

Power Supply	208/230V, 1 Phase, 60 HZ
Operating Voltage Range	187~253 VAC

Performance

Rated Cooling Capacity	19,000 BTU
Rated Heating Capacity	21,000 BTU

Piping

Connections (Flare)	1/4" (Liquid) 1/2" (Vapor)
Drain Pipe (O.D)	1"

Indoor Unit

Chassis Uncrated Dimension (HxWxD)	7 1/4 x 33 1/8 x 33 1/8 in (183 x 840 x 840 mm)
Chassis Crated (HxWxD)	10 1/2 x 38 3/4 x 38 3/4 in (268 x 983 x 983 mm)
Grille Model	PB-950KC
Grille Uncrated Dimension (HxWxD)	2 x 37 3/8 x 37 3/8 in (50 x 950 x 950 mm)
Grille Crated (HxWxD)	4 7/8 x 39 7/8 x 40 3/8 in (123 x 1013 x 1025 mm)
Airflow CFM (High/Med/Low)	1000/810/620
Indoor Sound Level dB (High/Med/Low)	33/30/29
Motor Rating (HP)	0.066
Heat Exchanger Fin Type	Blue Fin
Condensate Pump	Included - 37.4 in Lift
Weight (Ship/Net)	88.2/76.1 lbs

Accessories

Remote Control

Compatible with YR-HBS01

Wired Controller

Compatible with wired controller YR-E17, YR-E16B and YCZ-A004

Grille

PB-950KC is required to complete the installation and it must be ordered separately



YR-HBS01



YR-E17



YR-E16b



ACZ-A004



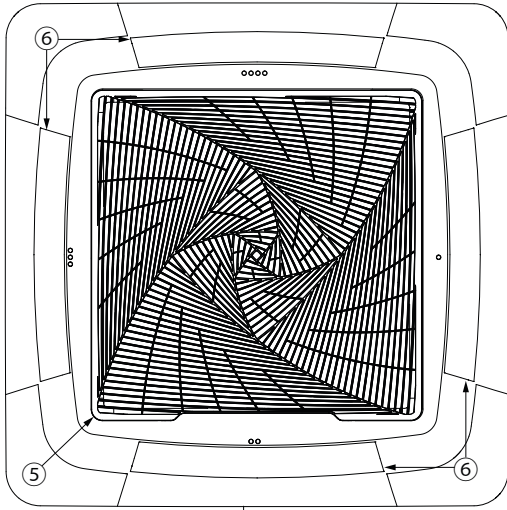
For more information visit us:
www.Haierductless.com
www.Haierductlesshelp.com



Haier MRV-S Series Submittal

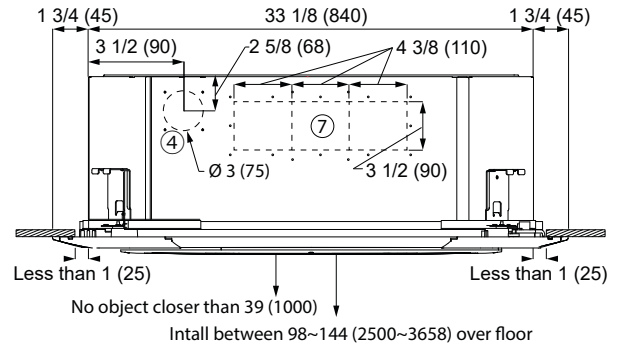
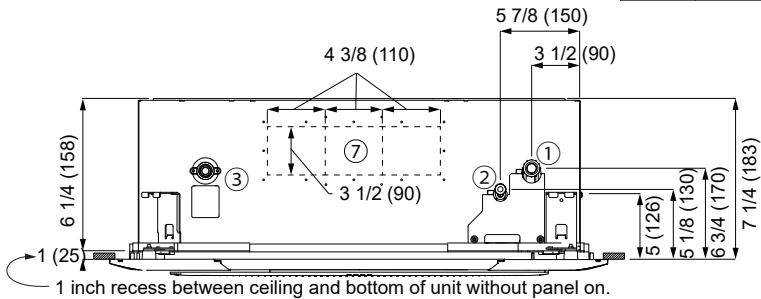
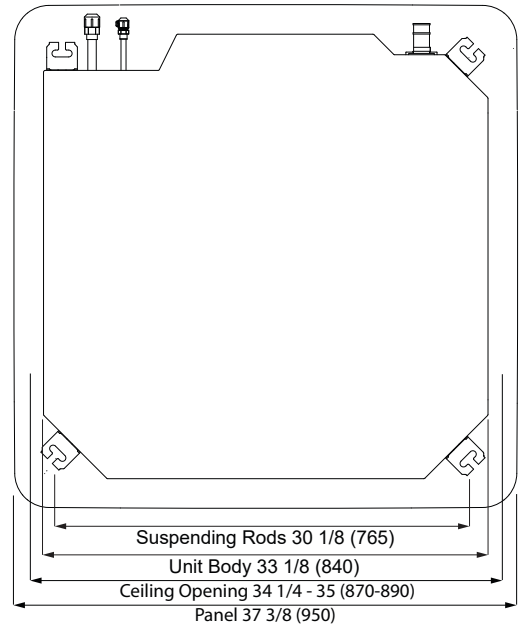
18000 BTU/HR LARGE CASSETTE TYPE INDOOR UNIT

MVAL018MV2AA



More than 59 (1500) to wall on all sides

#	Part Name
1	Vapor Pipe
2	Liquid Pipe
3	Drain Pump Outlet
4	Fresh Air Inlet
5	Air Return Grille
6	Air Supply
7	Auxiliary Air Supply



Haier MRV-S Series Submittal

24000 BTU/HR LARGE CASSETTE TYPE INDOOR UNIT

MVAL024MV2AA

Job Name: _____

Purchaser: _____

Submitted To: _____

Construction: _____

Reference: _____

Approval: _____

Date: _____

Submitted By: _____

Unit: _____

Drawing #: _____



Electrical Requirement

Power Supply	208/230V, 1 Phase, 60 HZ
Operating Voltage Range	187~253 VAC

Performance

Rated Cooling Capacity	24,000 BTU
Rated Heating Capacity	27,000 BTU

Piping

Connections (Flare)	1/4" (Liquid) 5/8" (Vapor)
Drain Pipe (O.D)	1"

Indoor Unit

Chassis Uncrated Dimension (HxWxD)	8 x 33 1/8 x 33 1/8 in (204 x 840 x 840 mm)
Chassis Crated (HxWxD)	11 3/8 x 38 3/4 x 38 3/4 in (268 x 983 x 983 mm)
Grille Model	PB-950KC
Grille Uncrated Dimension (HxWxD)	2 x 37 3/8 x 373/8 in (50 x 950 x 950 mm)
Grille Crated (HxWxD)	4 7/8 x 39 7/8 x 40 3/8 in (123 x 1013 x 1025 mm)
Airflow CFM (High/Med/Low)	1380/1190/1000
Indoor Sound Level dB (High/Med/Low)	35/34/31
Motor Rating (HP)	0.066
Heat Exchanger Fin Type	Blue Fin
Condensate Pump	Included - 37.4 in Lift
Weight (Ship/Net)	90.4/78.3 lbs

Accessories

Remote Control

Compatible with YR-HBS01

Wired Controller

Compatible with wired controller YR-E17, YR-E16B and YCZ-A004

Grille

PB-950KC is required to complete the installation and it must be ordered separately



YR-HBS01



YR-E17



YR-E16b



ACZ-A004



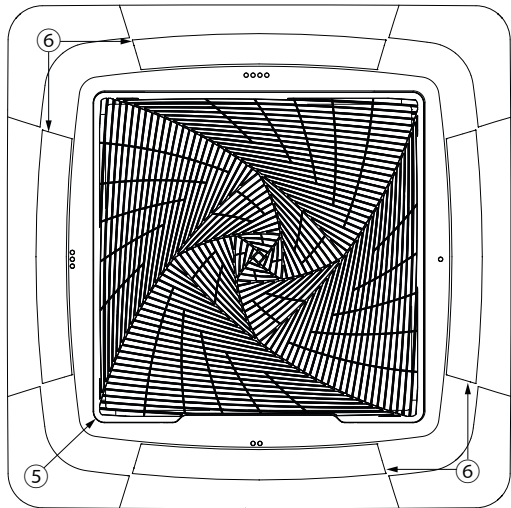
For more information visit us:
www.Haierductless.com
www.Haierductlesshelp.com



Haier MRV-S Series Submittal

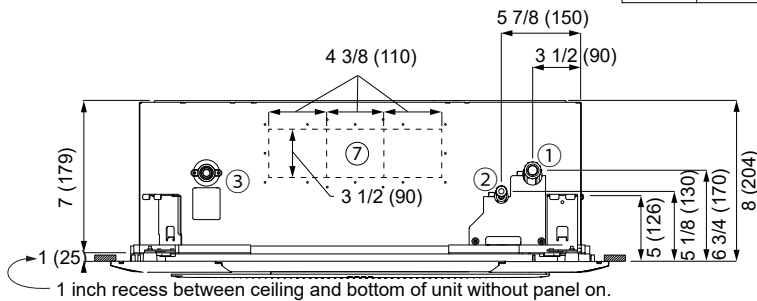
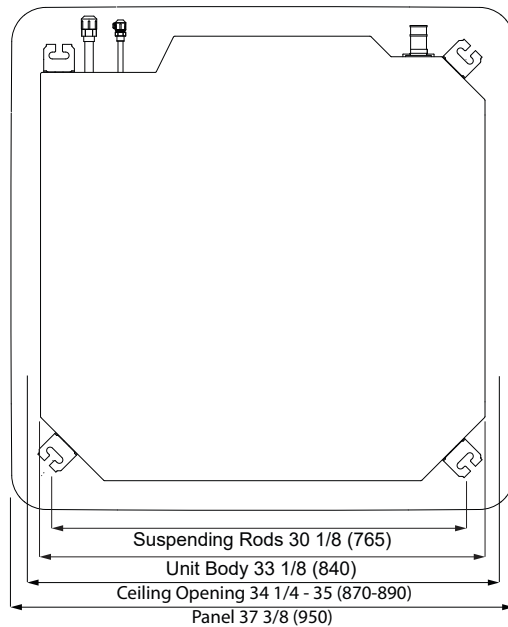
24000 BTU/HR LARGE CASSETTE TYPE INDOOR UNIT

MVAL024MV2AA

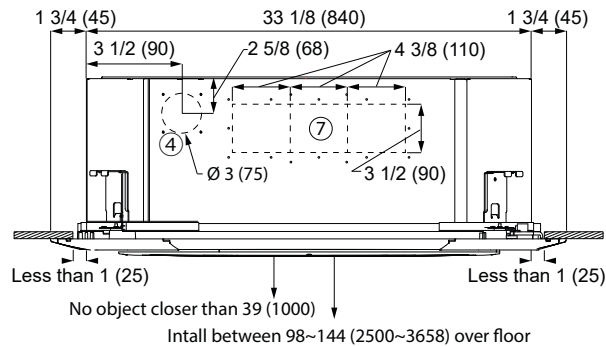


More than 59 (1500) to wall on all sides

#	Part Name
1	Vapor Pipe
2	Liquid Pipe
3	Drain Pump Outlet
4	Fresh Air Inlet
5	Air Return Grille
6	Air Supply
7	Auxiliary Air Supply



1 inch recess between ceiling and bottom of unit without panel on.



Haier MRV-S Series Submittal

30000 BTU/HR LARGE CASSETTE TYPE INDOOR UNIT

MVAL030MV2A

Job Name: _____

Purchaser: _____

Submitted To: _____

Construction: _____

Reference: _____

Approval: _____

Date: _____

Submitted By: _____

Unit: _____

Drawing #: _____



Electrical Requirement

Power Supply	208/230V, 1 Phase, 60 HZ
Operating Voltage Range	187~253 VAC

Performance

Rated Cooling Capacity	30,000 BTU
Rated Heating Capacity	34,000 BTU

Piping

Connections (Flare)	1/4" (Liquid) 5/8" (Vapor)
Drain Pipe (O.D)	1"

Indoor Unit

Chassis Uncrated Dimension (HxWxD)	9 3/4 x 33 1/8 x 33 1/8 in (246 x 840 x 840 mm)
Chassis Crated (HxWxD)	13 x 38 3/4 x 38 3/4 in (329 x 983 x 983 mm)
Grille Model	PB-950KC
Grille Uncrated Dimension (HxWxD)	2 x 37 3/8 x 373/8 in (50 x 950 x 950 mm)
Grille Crated (HxWxD)	4 7/8 x 39 7/8 x 40 3/8 in (123 x 1013 x 1025 mm)
Airflow CFM (High/Med/Low)	2050/1860/1670
Indoor Sound Level dB (High/Med/Low)	37/35/31
Motor Rating (HP)	0.12
Heat Exchanger Fin Type	Blue Fin
Condensate Pump	Included - 37.4 in Lift
Weight (Ship/Net)	101.4/89.3 lbs

Accessories

Remote Control

Compatible with YR-HBS01

Wired Controller

Compatible with wired controller YR-E17, YR-E16B and YCZ-A004

Grille

PB-950KC is required to complete the installation and it must be ordered separately



For more information visit us:
www.Haierductless.com
www.Haierductlesshelp.com



YR-HBS01



YR-E17



YR-E16b

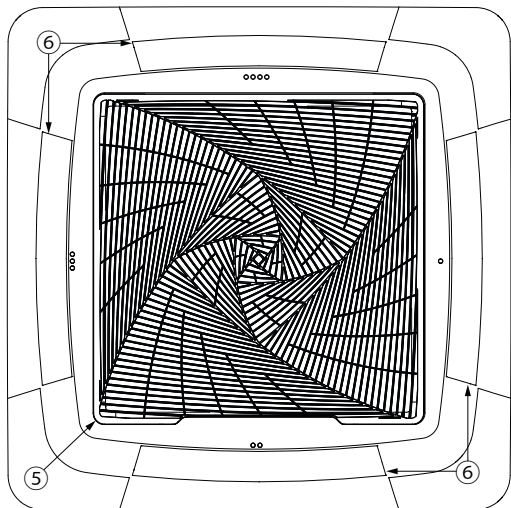


ACZ-A004

Haier MRV-S Series Submittal

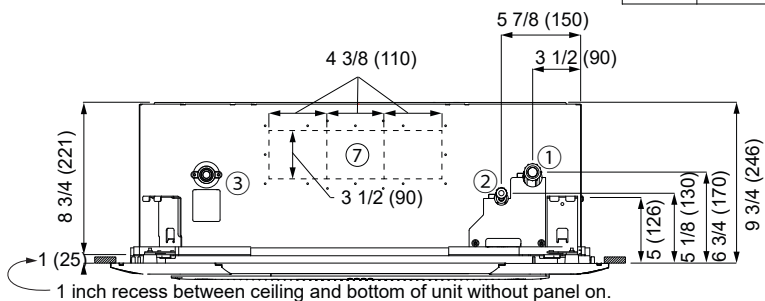
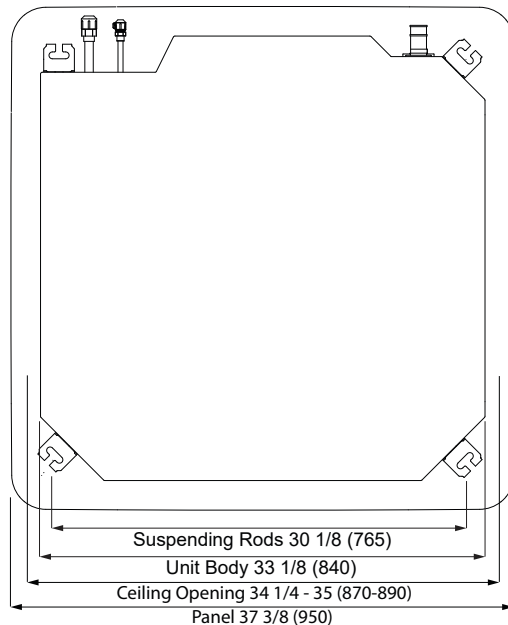
30000 BTU/HR LARGE CASSETTE TYPE INDOOR UNIT

MVAL030MV2A

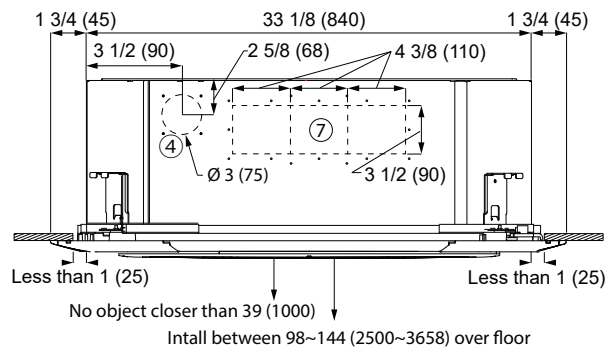


More than 59 (1500) to wall on all sides

#	Part Name
1	Vapor Pipe
2	Liquid Pipe
3	Drain Pump Outlet
4	Fresh Air Inlet
5	Air Return Grille
6	Air Supply
7	Auxiliary Air Supply



1 inch recess between ceiling and bottom of unit without panel on.



Haier MRV-S Series Submittal

36000 BTU/HR LARGE CASSETTE TYPE INDOOR UNIT

MVAL036MV2AA

Job Name: _____

Purchaser: _____

Submitted To: _____

Construction: _____

Reference: _____

Approval: _____

Date: _____

Submitted By: _____

Unit: _____

Drawing #: _____



Electrical Requirement

Power Supply	208/230V, 1 Phase, 60 HZ
Operating Voltage Range	187~253 VAC

Performance

Rated Cooling Capacity	36,000 BTU
Rated Heating Capacity	40,000 BTU

Piping

Connections (Flare)	1/4" (Liquid) 5/8" (Vapor)
Drain Pipe (O.D)	1"

Indoor Unit

Chassis Uncrated Dimension (HxWxD)	9 3/4 x 33 1/8 x 33 1/8 in (246 x 840 x 840 mm)
Chassis Crated (HxWxD)	13 x 38 3/4 x 38 3/4 in (329 x 983 x 983 mm)
Grille Model	PB-950KC
Grille Uncrated Dimension (HxWxD)	2 x 37 3/8 x 373/8 in (50 x 950 x 950 mm)
Grille Crated (HxWxD)	4 7/8 x 39 7/8 x 40 3/8 in (123 x 1013 x 1025 mm)
Airflow CFM (High/Med/Low)	2050/1860/1670
Indoor Sound Level dB (High/Med/Low)	37/35/31
Motor Rating (HP)	0.12
Heat Exchanger Fin Type	Blue Fin
Condensate Pump	Included - 37.4 in Lift
Weight (Ship/Net)	101.4/89.3 lbs

Accessories

Remote Control

Compatible with YR-HBS01

Wired Controller

Compatible with wired controller YR-E17, YR-E16B and YCZ-A004

Grille

PB-950KC is required to complete the installation and it must be ordered separately



For more information visit us:
www.Haierductless.com
www.Haierductlesshelp.com



YR-HBS01



YR-E17



YR-E16b

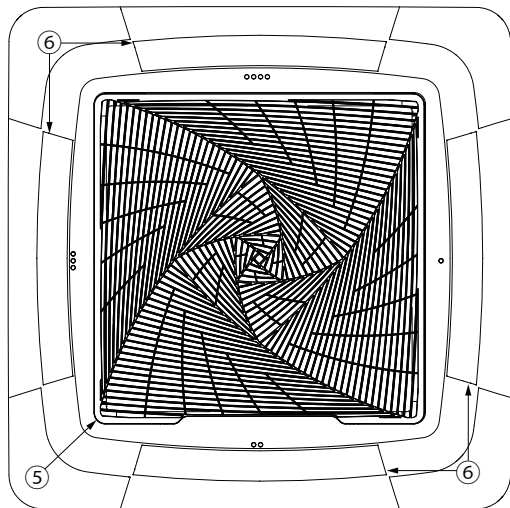


ACZ-A004

Haier MRV-S Series Submittal

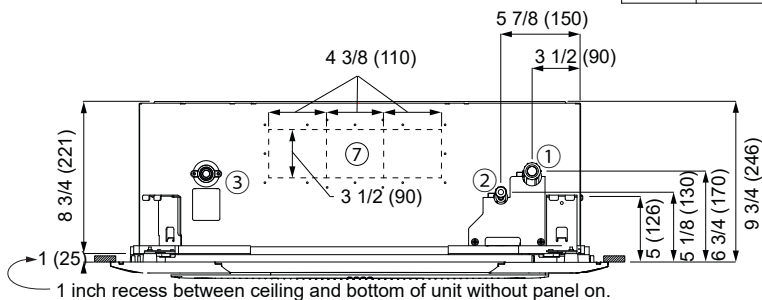
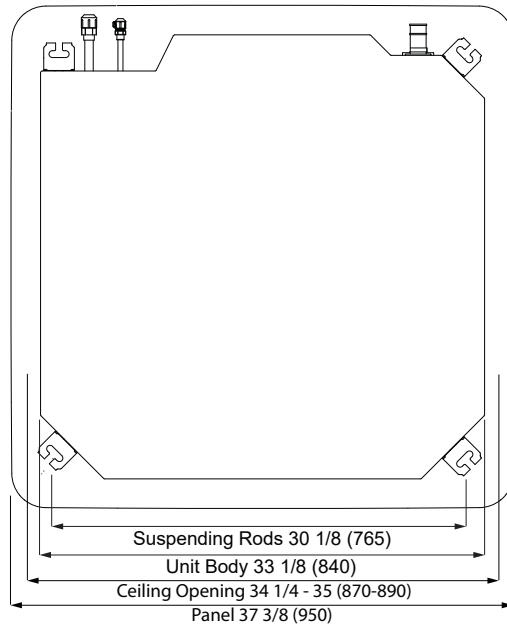
36000 BTU/HR LARGE CASSETTE TYPE INDOOR UNIT

MVAL036MV2AA

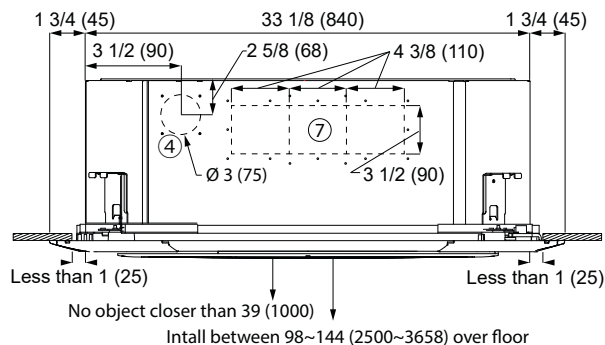


More than 59 (1500) to wall on all sides

#	Part Name
1	Vapor Pipe
2	Liquid Pipe
3	Drain Pump Outlet
4	Fresh Air Inlet
5	Air Return Grille
6	Air Supply
7	Auxiliary Air Supply



1 inch recess between ceiling and bottom of unit without panel on.



Less than 1 (25) Less than 1 (25)

No object closer than 39 (1000)
Intall between 98~144 (2500~3658) over floor

Haier MRV-S Series Submittal

42000 BTU/HR LARGE CASSETTE TYPE INDOOR UNIT

MVAL042MV2AA

Job Name: _____

Purchaser: _____

Submitted To: _____

Construction: _____

Reference: _____

Approval: _____

Date: _____

Submitted By: _____

Unit: _____

Drawing #: _____



Electrical Requirement

Power Supply	208/230V, 1 Phase, 60 HZ
Operating Voltage Range	187~253 VAC

Performance

Rated Cooling Capacity	42,000 BTU
Rated Heating Capacity	47,000 BTU

Piping

Connections (Flare)	1/4" (Liquid) 5/8" (Vapor)
Drain Pipe (O.D)	1"

Indoor Unit

Chassis Uncrated Dimension (HxWxD)	11 3/8 x 33 1/8 x 33 1/8 in (288 x 840 x 840 mm)
Chassis Crated (HxWxD)	14 7/8 x 38 3/4 x 38 3/4 in (3789 x 983 x 983 mm)
Grille Model	PB-950KC
Grille Uncrated Dimension (HxWxD)	2 x 37 3/8 x 373/8 in (50 x 950 x 950 mm)
Grille Crated (HxWxD)	4 7/8 x 39 7/8 x 40 3/8 in (123 x 1013 x 1025 mm)
Airflow CFM (High/Med/Low)	2100/1910/1720
Indoor Sound Level dB (High/Med/Low)	44/40/36
Motor Rating (HP)	0.12
Heat Exchanger Fin Type	Blue Fin
Condensate Pump	Included - 37.4 in Lift
Weight (Ship/Net)	103.6/91.5 lbs

Accessories

Remote Control

Compatible with YR-HBS01

Wired Controller

Compatible with wired controller YR-E17, YR-E16B and YCZ-A004

Grille

PB-950KC is required to complete the installation and it must be ordered separately



YR-HBS01



YR-E17



YR-E16b



ACZ-A004



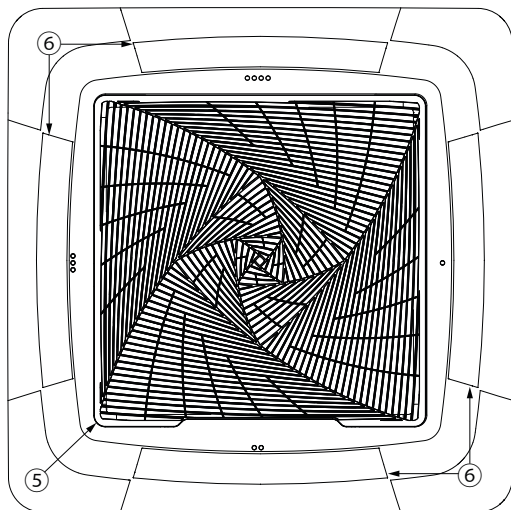
For more information visit us:
www.Haierductless.com
www.Haierductlesshelp.com



Haier MRV-S Series Submittal

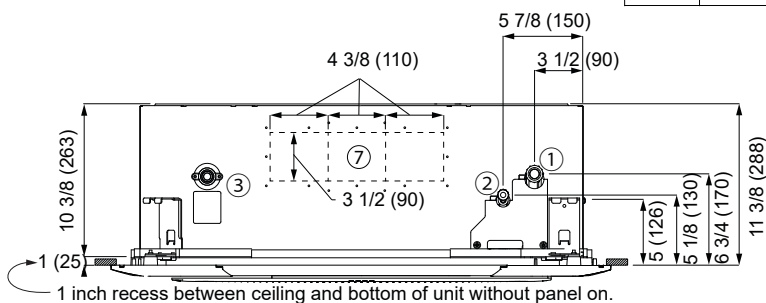
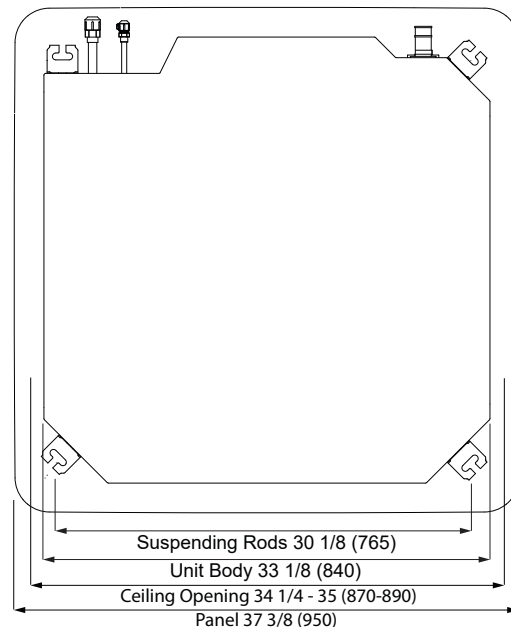
42000 BTU/HR LARGE CASSETTE TYPE INDOOR UNIT

MVAL042MV2AA

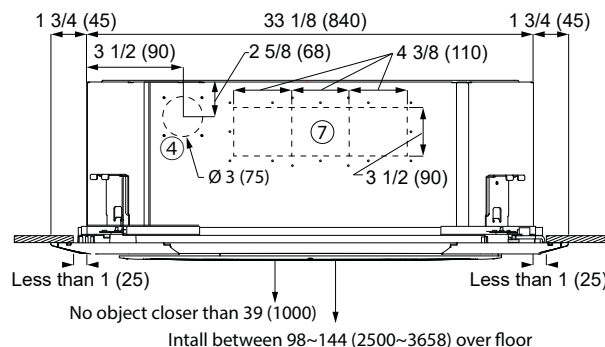


More than 59 (1500) to wall on all sides

#	Part Name
1	Vapor Pipe
2	Liquid Pipe
3	Drain Pump Outlet
4	Fresh Air Inlet
5	Air Return Grille
6	Air Supply
7	Auxiliary Air Supply



1 inch recess between ceiling and bottom of unit without panel on.



Less than 1 (25) Less than 1 (25)

No object closer than 39 (1000)
Intall between 98~144 (2500~3658) over floor

Haier MRV-S Series Submittal

48000 BTU/HR LARGE CASSETTE TYPE INDOOR UNIT

MVAL048MV2AA

Job Name: _____

Purchaser: _____

Submitted To: _____

Construction: _____

Reference: _____

Approval: _____

Date: _____

Submitted By: _____

Unit: _____

Drawing #: _____



Electrical Requirement

Power Supply	208/230V, 1 Phase, 60 HZ
Operating Voltage Range	187~253 VAC

Performance

Rated Cooling Capacity	48,000 BTU
Rated Heating Capacity	54,000 BTU

Piping

Connections (Flare)	1/4" (Liquid) 5/8" (Vapor)
Drain Pipe (O.D)	1"

Indoor Unit

Chassis Uncrated Dimension (HxWxD)	11 3/8 x 33 1/8 x 33 1/8 in (288 x 840 x 840 mm)
Chassis Crated (HxWxD)	14 7/8 x 38 3/4 x 38 3/4 in (3789 x 983 x 983 mm)
Grille Model	PB-950KC
Grille Uncrated Dimension (HxWxD)	2 x 37 3/8 x 373/8 in (50 x 950 x 950 mm)
Grille Crated (HxWxD)	4 7/8 x 39 7/8 x 40 3/8 in (123 x 1013 x 1025 mm)
Airflow CFM (High/Med/Low)	2100/1910/1720
Indoor Sound Level dB (High/Med/Low)	44/40/36
Motor Rating (HP)	0.12
Heat Exchanger Fin Type	Blue Fin
Condensate Pump	Included - 37.4 in Lift
Weight (Ship/Net)	103.6/91.5 lbs

Accessories

Remote Control

Compatible with YR-HBS01

Wired Controller

Compatible with wired controller YR-E17, YR-E16B and YCZ-A004

Grille

PB-950KC is required to complete the installation and it must be ordered separately



YR-HBS01



YR-E17



YR-E16b



ACZ-A004



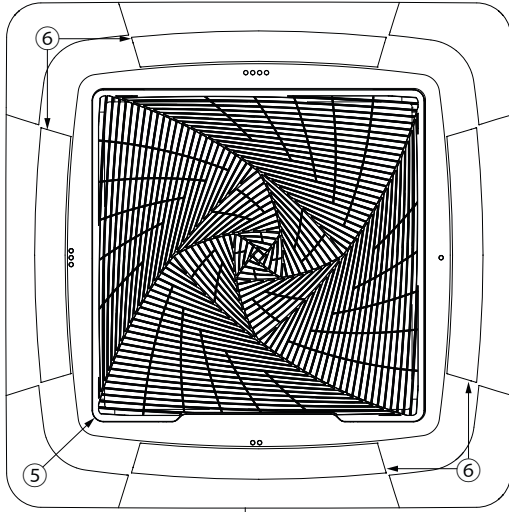
For more information visit us:
www.Haierductless.com
www.Haierductlesshelp.com



Haier MRV-S Series Submittal

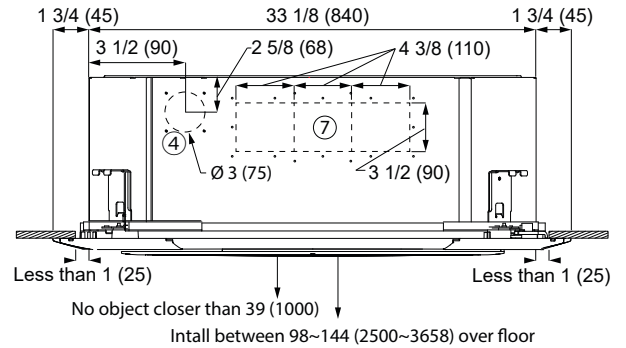
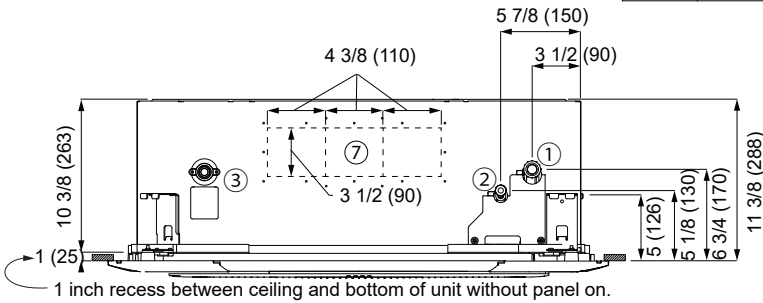
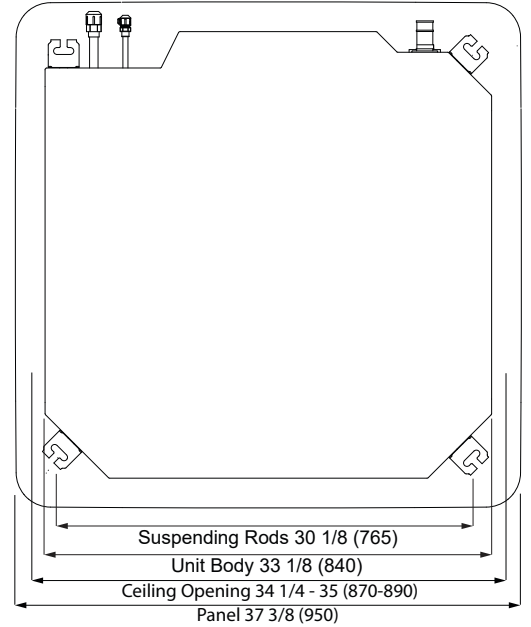
48000 BTU/HR LARGE CASSETTE TYPE INDOOR UNIT

MVAL048MV2AA



More than 59 (1500) to wall on all sides

#	Part Name
1	Vapor Pipe
2	Liquid Pipe
3	Drain Pump Outlet
4	Fresh Air Inlet
5	Air Return Grille
6	Air Supply
7	Auxiliary Air Supply



Haier MRV-S Series Submittal

7000 BTU/HR SLIM DUCT TYPE INDOOR UNIT

MVAD007MV2AA

Job Name: _____

Purchaser: _____

Submitted To: _____

Construction: _____

Reference: _____

Approval: _____

Date: _____

Submitted By: _____

Unit: _____

Drawing #: _____



Electrical Requirement

Power Supply	208/230V, 1 Phase, 60 HZ
Operating Voltage Range	187~253 VAC

Performance

Rated Cooling Capacity	7,000 BTU
Rated Heating Capacity	8,500 BTU

Piping

Connections (Flare)	1/4" (Liquid) 1/2" (Vapor)
Drain Pipe (O.D)	1"

Accessories

Remote Control

Not compatible

Wired Controller

Compatible with YR-E17, YR-E16B and YCZ-A004

Grilles

Return Grille - PAD0890RA

Supply Grille - PAD0890SA

Indoor Unit

Uncrated Dimension (HxWxD)	7 1/4 x 33 1/2 x 16 1/2 in (185 x 850 x 420 mm)
Crated (HxWxD)	10 5/8 x 41 1/8 x 21 1/4 in (270 x 1045 x 540 mm)
Airflow CFM (Turbo/High/Med/Low/Quiet)	540/480/420/360/300
Indoor Sound Level dB (Turbo/High/Med/Low/Quiet)	32/30/28/25/22
Maximum ESP (IWC)	0.12
Motor Rating (HP)	0.067
Heat Exchanger Fin Type	Blue Fin
Condensate Pump	Included - 27.5 in Lift
Weight (Ship/Net)	49.6/38.6 lbs



YR-E17



YR-E16b



ACZ-A004



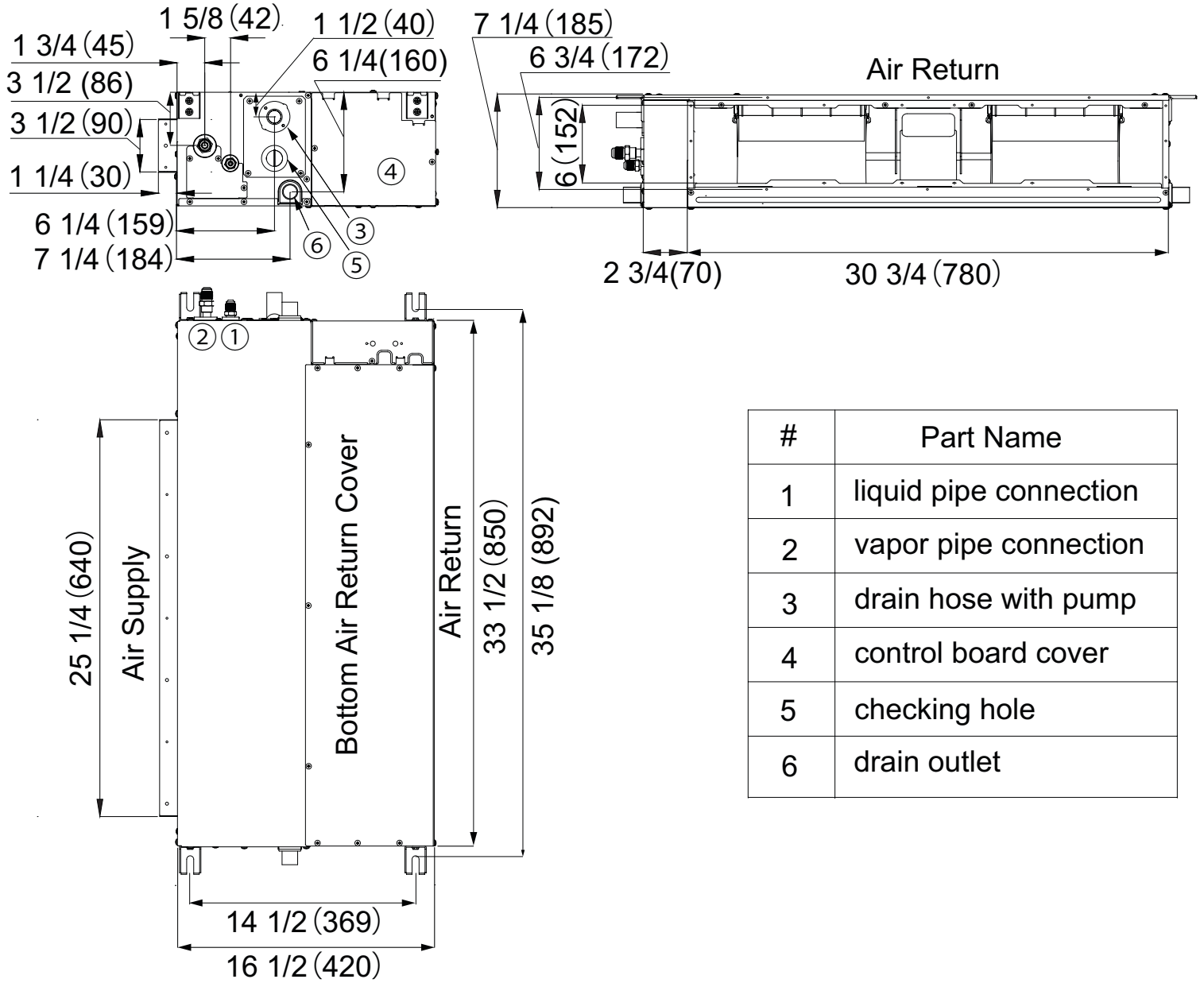
For more information visit us:
www.Haierductless.com
www.Haierductlesshelp.com



Haier MRV-S Series Submittal

7000 BTU/HR SLIM DUCT TYPE INDOOR UNIT

MVAD007MV2AA



Haier MRV-S Series Submittal

9000 BTU/HR SLIM DUCT TYPE INDOOR UNIT

MVAD009MV2AA

Job Name: _____

Purchaser: _____

Submitted To: _____

Construction: _____

Reference: _____

Approval: _____

Date: _____

Submitted By: _____

Unit: _____

Drawing #: _____



Electrical Requirement

Power Supply	208/230V, 1 Phase, 60 HZ
Operating Voltage Range	187~253 VAC

Performance

Rated Cooling Capacity	9,000 BTU
Rated Heating Capacity	10,500 BTU

Piping

Connections (Flare)	1/4" (Liquid) 1/2" (Vapor)
Drain Pipe (O.D)	1"

Accessories

Remote Control

Not compatible

Wired Controller

Compatible with YR-E17, YR-E16B and YCZ-A004

Grilles

Return Grille - PAD0890RA

Supply Grille - PAD0890SA

Indoor Unit

Uncrated Dimension (HxWxD)	7 1/4 x 33 1/2 x 16 1/2 in (185 x 850 x 420 mm)
Crated (HxWxD)	10 5/8 x 41 1/8 x 21 1/4 in (270 x 1045 x 540 mm)
Airflow CFM (Turbo/High/Med/Low/Quiet)	540/480/420/360/300
Indoor Sound Level dB (Turbo/High/Med/Low/Quiet)	32/30/28/25/22
Maximum ESP (IWC)	0.12
Motor Rating (HP)	0.067
Heat Exchanger Fin Type	Blue Fin
Condensate Pump	Included - 27.5 in Lift
Weight (Ship/Net)	49.6/38.6 lbs



YR-E17



YR-E16b



ACZ-A004



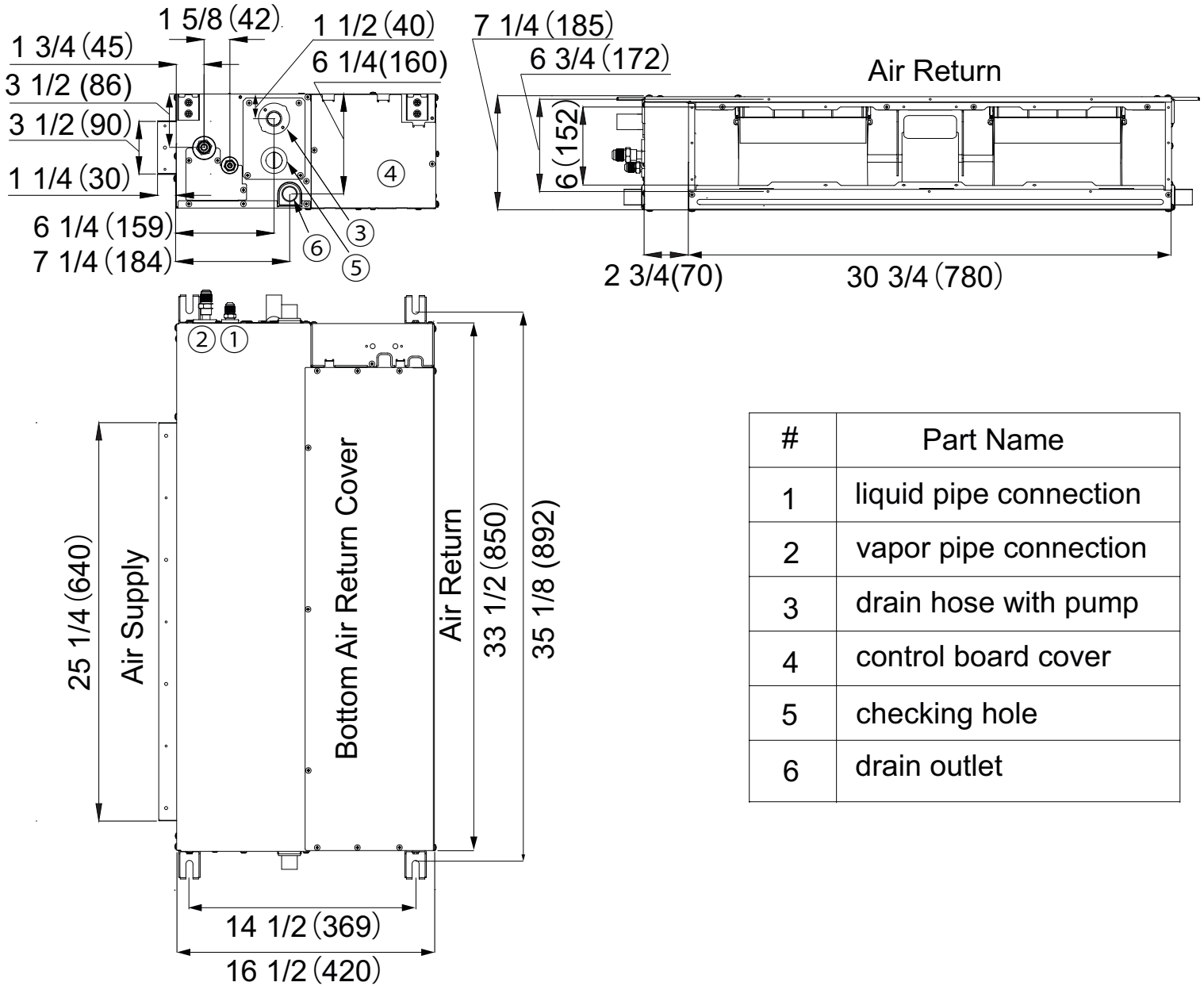
For more information visit us:
www.Haierductless.com
www.Haierductlesshelp.com



Haier MRV-S Series Submittal

9000 BTU/HR SLIM DUCT TYPE INDOOR UNIT

MVAD009MV2AA



#	Part Name
1	liquid pipe connection
2	vapor pipe connection
3	drain hose with pump
4	control board cover
5	checking hole
6	drain outlet

Haier MRV-S Series Submittal

12000 BTU/HR SLIM DUCT TYPE INDOOR UNIT

MVAD012MV2AA

Job Name: _____

Purchaser: _____

Submitted To: _____

Construction: _____

Reference: _____

Approval: _____

Date: _____

Submitted By: _____

Unit: _____

Drawing #: _____



Electrical Requirement

Power Supply	208/230V, 1 Phase, 60 HZ
Operating Voltage Range	187~253 VAC

Performance

Rated Cooling Capacity	12,000 BTU
Rated Heating Capacity	13,500 BTU

Piping

Connections (Flare)	1/4" (Liquid) 1/2" (Vapor)
Drain Pipe (O.D)	1"

Accessories

Remote Control

Not compatible

Wired Controller

Compatible with YR-E17, YR-E16B and YCZ-A004

Grilles

Return Grille - PAD0890RA

Supply Grille - PAD0890SA

Indoor Unit

Uncrated Dimension (HxWxD)	7 1/4 x 33 1/2 x 16 1/2 in (185 x 850 x 420 mm)
Crated (HxWxD)	10 5/8 x 41 1/8 x 21 1/4 in (270 x 1045 x 540 mm)
Airflow CFM (Turbo/High/Med/Low/Quiet)	640/550/430/370/330
Indoor Sound Level dB (Turbo/High/Med/Low/Quiet)	34/32/29/26/24
Maximum ESP (IWC)	0.12
Motor Rating (HP)	0.067
Heat Exchanger Fin Type	Blue Fin
Condensate Pump	Included - 27.5 in Lift
Weight (Ship/Net)	49.6/38.6 lbs



YR-E17



YR-E16b



ACZ-A004



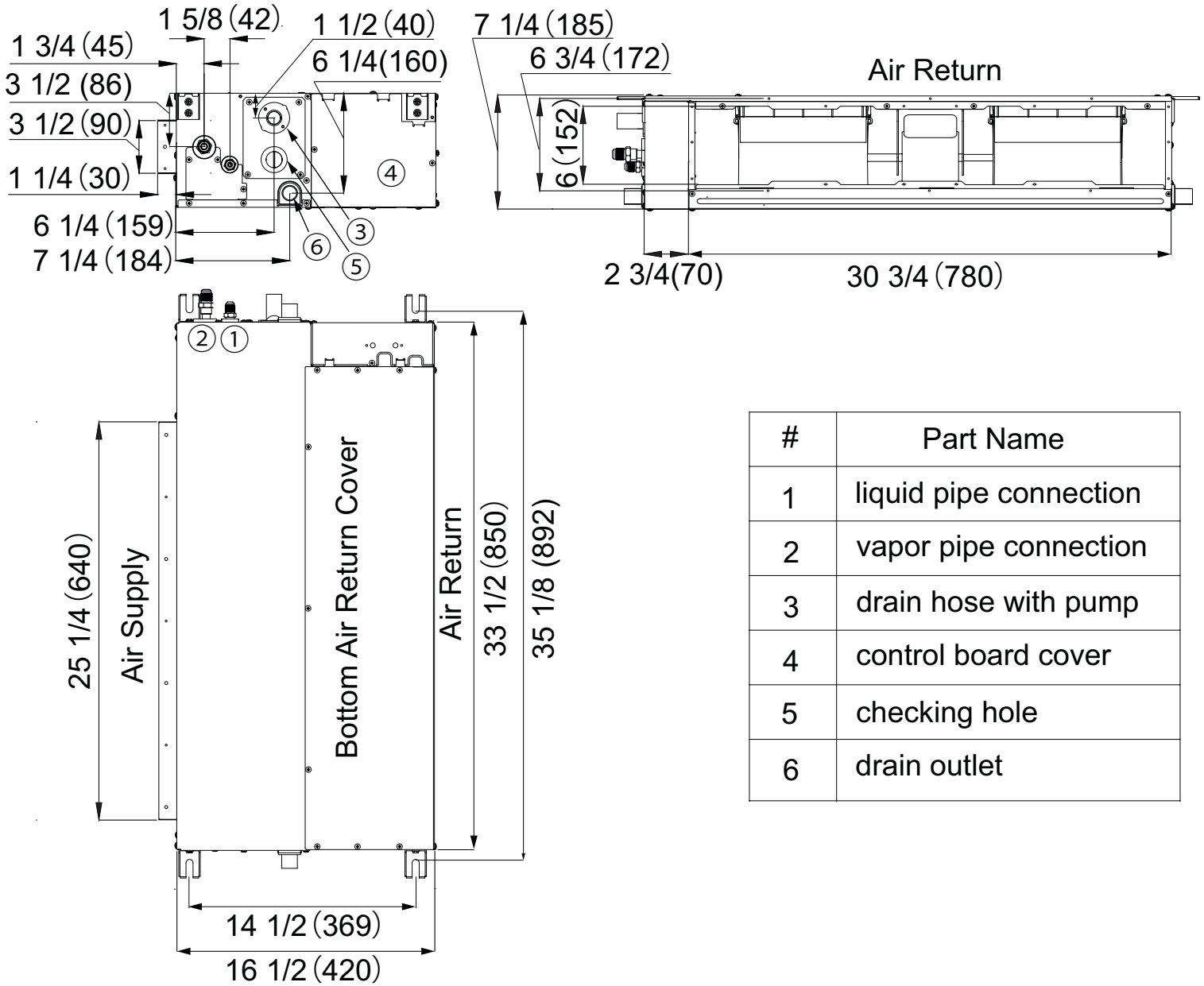
For more information visit us:
www.Haierductless.com
www.Haierductlesshelp.com



Haier MRV-S Series Submittal

12000 BTU/HR SLIM DUCT TYPE INDOOR UNIT

MVAD012MV2AA



#	Part Name
1	liquid pipe connection
2	vapor pipe connection
3	drain hose with pump
4	control board cover
5	checking hole
6	drain outlet

Haier MRV-S Series Submittal

18000 BTU/HR SLIM DUCT TYPE INDOOR UNIT

MVAD018MV2AA

Job Name: _____

Purchaser: _____

Submitted To: _____

Construction: _____

Reference: _____

Approval: _____

Date: _____

Submitted By: _____

Unit: _____

Drawing #: _____



Electrical Requirement

Power Supply	208/230V, 1 Phase, 60 HZ
Operating Voltage Range	187~253 VAC

Performance

Rated Cooling Capacity	18,000 BTU
Rated Heating Capacity	20,000 BTU

Piping

Connections (Flare)	1/4" (Liquid) 1/2" (Vapor)
Drain Pipe (O.D)	1"

Accessories

Remote Control

Not compatible

Wired Controller

Compatible with YR-E17, YR-E16B and YCZ-A004

Grilles

Return Grille - PAD1210RA

Supply Grille - PAD1210SA

Indoor Unit

Uncrated Dimension (HxWxD)	7 1/4 x 46 1/8 x 16 1/2 in (185 x 1170 x 420 mm)
Crated (HxWxD)	10 5/8 x 53 3/4 x 21 1/4 in (270 x 1365 x 540 mm)
Airflow CFM (Turbo/High/Med/Low/Quiet)	950/800/690/580/440
Indoor Sound Level dB (Turbo/High/Med/Low/Quiet)	38/35/33/30/26
Maximum ESP (IWC)	0.12
Motor Rating (HP)	0.086
Heat Exchanger Fin Type	Blue Fin
Condensate Pump	Included - 27.5 in Lift
Weight (Ship/Net)	62.8/48.9 lbs



YR-E17



YR-E16b



ACZ-A004



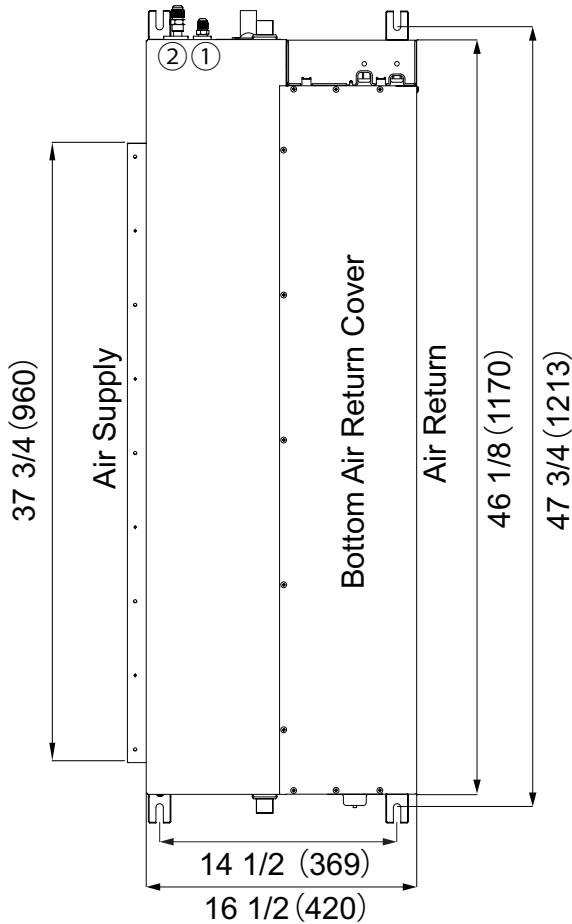
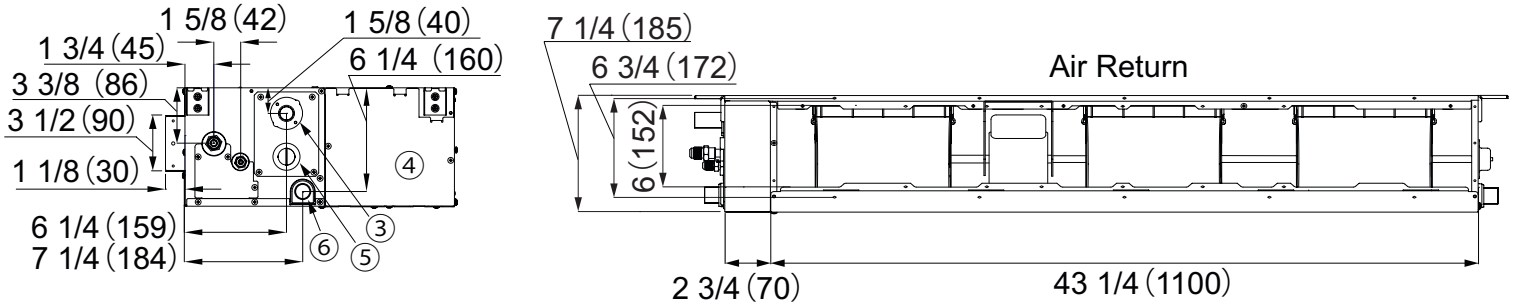
For more information visit us:
www.Haierductless.com
www.Haierductlesshelp.com



Haier MRV-S Series Submittal

18000 BTU/HR SLIM DUCT TYPE INDOOR UNIT

MVAD018MV2AA



#	Part Name
1	liquid pipe connection
2	vapor pipe connection
3	drain hose with pump
4	control board cover
5	checking hole
6	drain outlet

Haier MRV-S Series Submittal

24000 BTU/HR SLIM DUCT TYPE INDOOR UNIT

MVAD024MV2AA

Job Name: _____

Purchaser: _____

Submitted To: _____

Construction: _____

Reference: _____

Approval: _____

Date: _____

Submitted By: _____

Unit: _____

Drawing #: _____



Electrical Requirement

Power Supply	208/230V, 1 Phase, 60 HZ
Operating Voltage Range	187~253 VAC

Performance

Rated Cooling Capacity	24,000 BTU
Rated Heating Capacity	27,000 BTU

Piping

Connections (Flare)	3/8" (Liquid) 5/8" (Vapor)
Drain Pipe (O.D)	1"

Accessories

Remote Control

Not compatible

Wired Controller

Compatible with YR-E17, YR-E16B and YCZ-A004

Indoor Unit

Uncrated Dimension (HxWxD)	7 1/4 x 46 1/8 x 16 1/2 in (185 x 1170 x 420 mm)
Crated (HxWxD)	10 5/8 x 53 3/4 x 21 1/4 in (270 x 1365 x 540 mm)
Airflow CFM (Turbo/High/Med/Low/Quiet)	1020/930/850/750/645
Indoor Sound Level dB (Turbo/High/Med/Low/Quiet)	39/36/33/31/29
Maximum ESP (IWC)	0.12
Motor Rating (HP)	0.086
Heat Exchanger Fin Type	Blue Fin
Condensate Pump	Included - 27.5 in Lift
Weight (Ship/Net)	66.1/52.9 lbs



YR-E17



YR-E16b



ACZ-A004



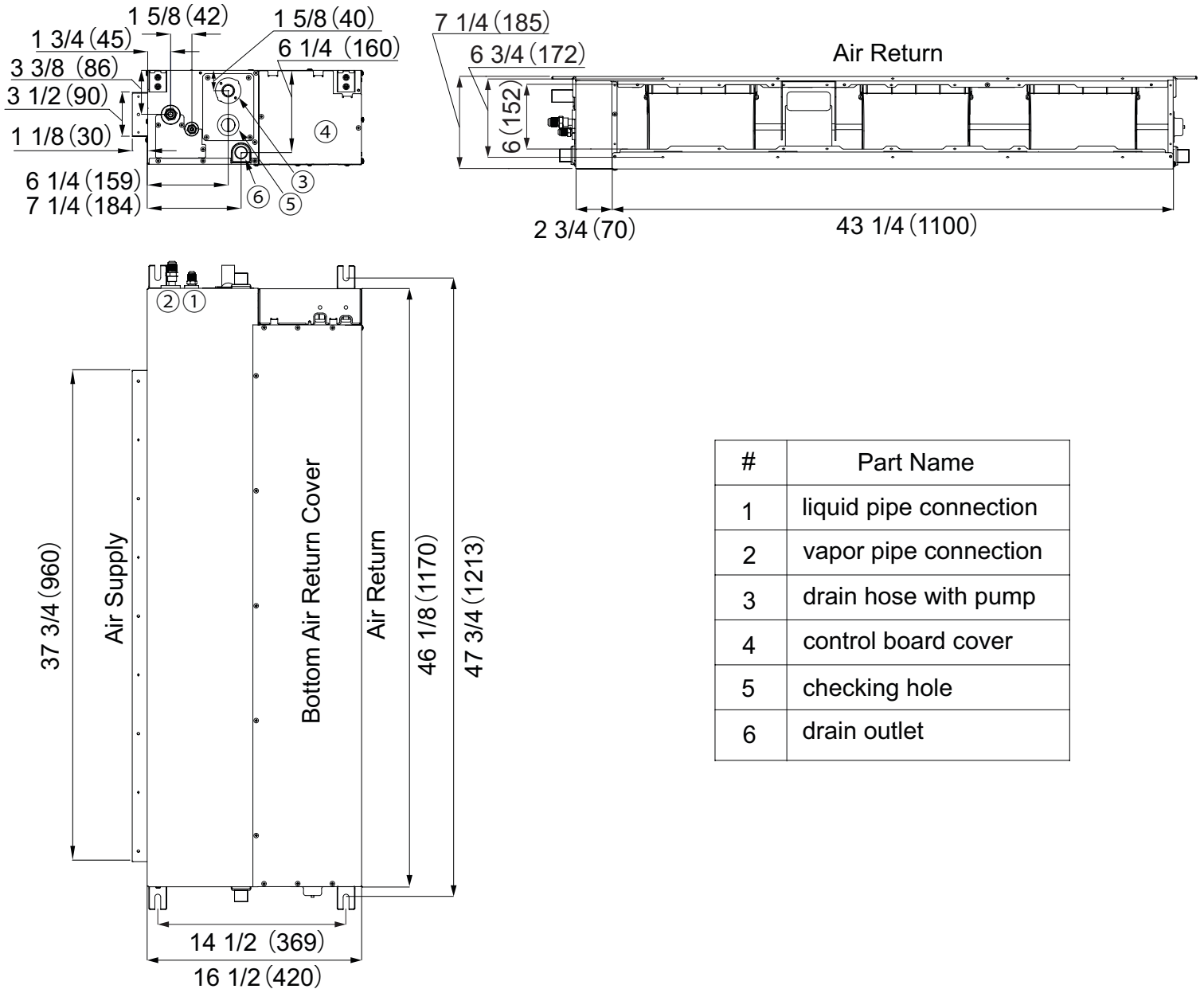
For more information visit us:
www.Haierductless.com
www.Haierductlesshelp.com



Haier MRV-S Series Submittal

24000 BTU/HR SLIM DUCT TYPE INDOOR UNIT

MVAD024MV2AA



Haier MRV-S Series Submittal

18000 BTU/HR HIGH STATIC DUCT TYPE INDOOR UNIT

MVAH018MV2AA

Job Name: _____

Purchaser: _____

Submitted To: _____

Construction: _____

Reference: _____

Approval: _____

Date: _____

Submitted By: _____

Unit: _____

Drawing #: _____



Electrical Requirement

Power Supply	208/230V, 1 Phase, 60 HZ
Operating Voltage Range	187~253 VAC

Performance

Rated Cooling Capacity	18,000 BTU
Rated Heating Capacity	20,000 BTU

Piping

Connections (Flare)	1/4" (Liquid) 1/2" (Vapor)
Drain Pipe (O.D)	1"

Accessories

Remote Control

Not compatible

Wired Controller

Compatible with YR-E17, YR-E16B and YCZ-A004

Indoor Unit

Uncrated Dimension (HxWxD)	11 x 29 1/2 x 25 in (280 x 750 x 635 mm)
Crated (HxWxD)	12 3/4 x 36 1/8 x 29 in (325 x 917 x 736 mm)
Airflow CFM (Turbo/High/Med/Low/Quiet)	618/529/482/435/347
Indoor Sound Level dB (Turbo/High/Med/Low/Quiet)	45/40/38/36/32
Maximum ESP (IWC)	0.80
Motor Rating (HP)	0.277
Heat Exchanger Fin Type	Blue Fin
Condensate Pump	Included - 27.5 in Lift
Weight (Ship/Net)	75/63.9 lbs



YR-E17



YR-E16b



ACZ-A004



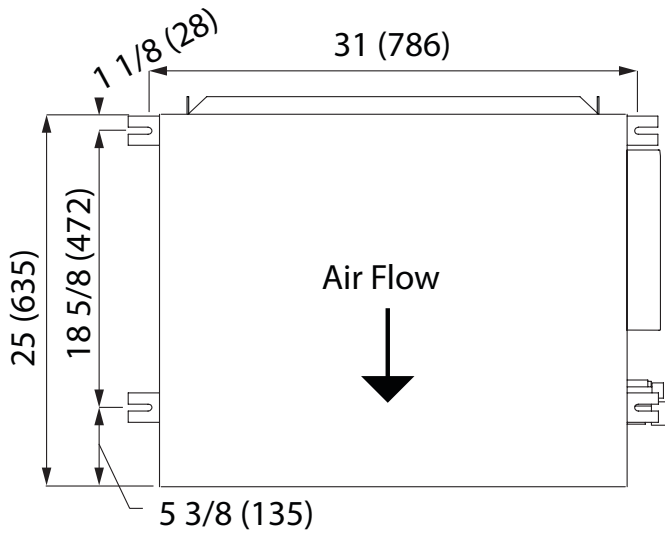
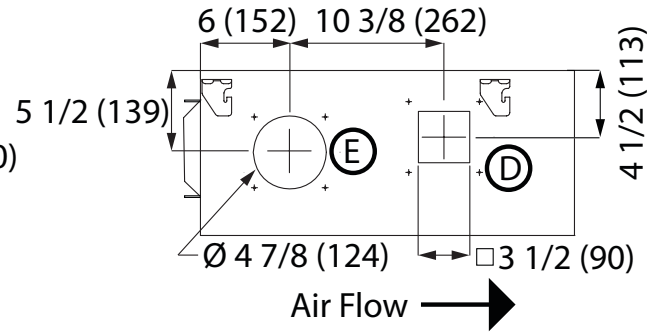
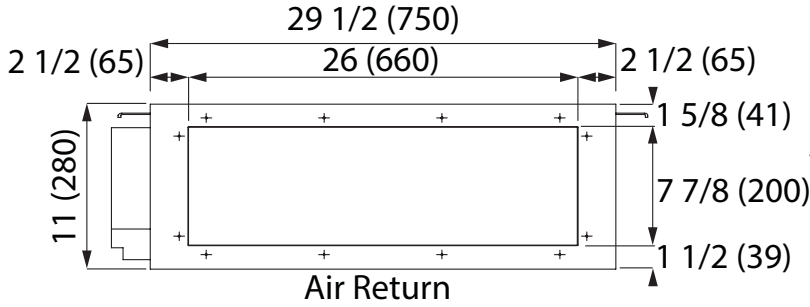
For more information visit us:
www.Haierductless.com
www.Haierductlesshelp.com



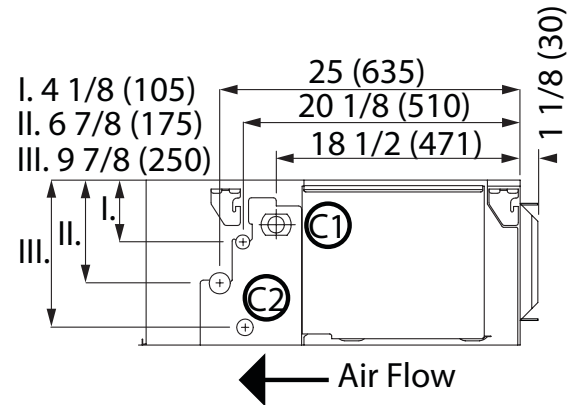
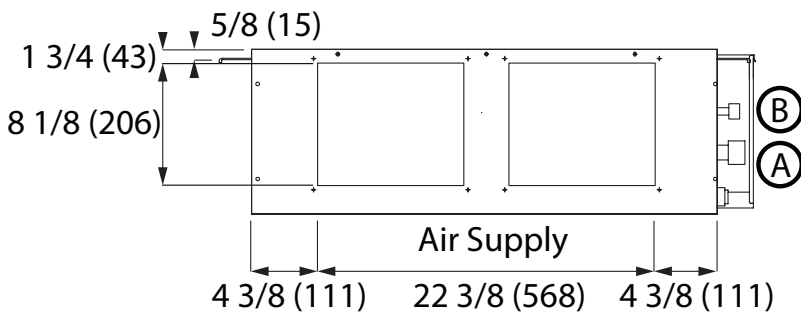
Haier MRV-S Series Submittal

18000 BTU/HR HIGH STATIC DUCT TYPE INDOOR UNIT

MVAH018MV2AA



	Name
A	Vapor Pipe
B	Liquid Pipe
C1	Drain Pump Outlet
C2	Drain Pan Port
D	Fresh Air Outlet
E	Fresh Air Inlet



Haier MRV-S Series Submittal

24000 BTU/HR HIGH STATIC DUCT TYPE INDOOR UNIT

MVAH024MV2AA

Job Name: _____

Purchaser: _____

Submitted To: _____

Construction: _____

Reference: _____

Approval: _____

Date: _____

Submitted By: _____

Unit: _____

Drawing #: _____



Electrical Requirement

Power Supply	208/230V, 1 Phase, 60 HZ
Operating Voltage Range	187~253 VAC

Performance

Rated Cooling Capacity	24,000 BTU
Rated Heating Capacity	27,000 BTU

Piping

Connections (Flare)	3/8" (Liquid) 5/8" (Vapor)
Drain Pipe (O.D)	1"

Accessories

Remote Control

Not compatible

Wired Controller

Compatible with YR-E17, YR-E16B and YCZ-A004

Indoor Unit

Uncrated Dimension (HxWxD)	11 x 37 3/8 x 25 in (280 x 950 x 635 mm)
Crated (HxWxD)	12 3/4 x 44 x 29 in (325 x 1117 x 736 mm)
Airflow CFM (Turbo/High/Med/Low/Quiet)	765/647/588/529/424
Indoor Sound Level dB (Turbo/High/Med/Low/Quiet)	41/38/35/33/30
Maximum ESP (IWC)	0.80
Motor Rating (HP)	0.277
Heat Exchanger Fin Type	Blue Fin
Condensate Pump	Included - 27.5 in Lift
Weight (Ship/Net)	86/75 lbs



YR-E17



YR-E16b



ACZ-A004



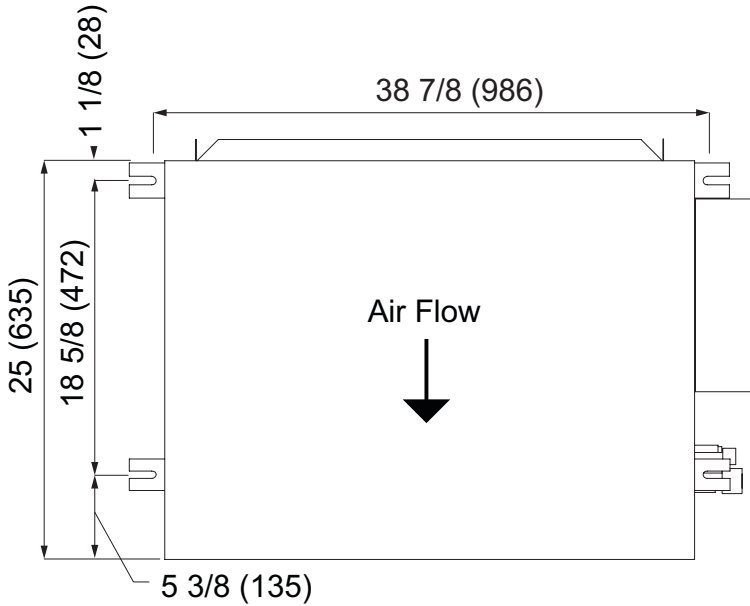
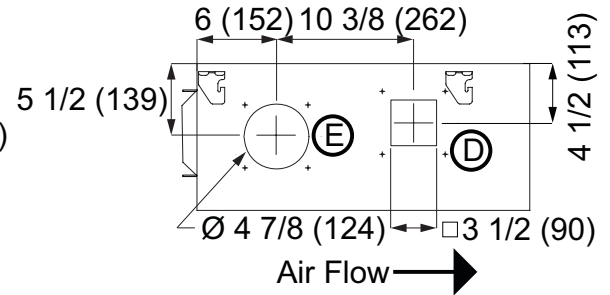
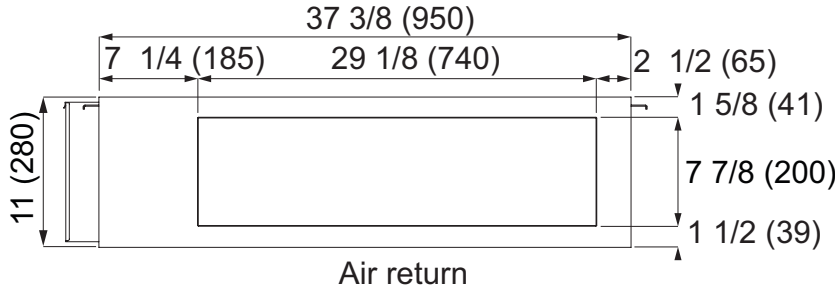
For more information visit us:
www.Haierductless.com
www.Haierductlesshelp.com



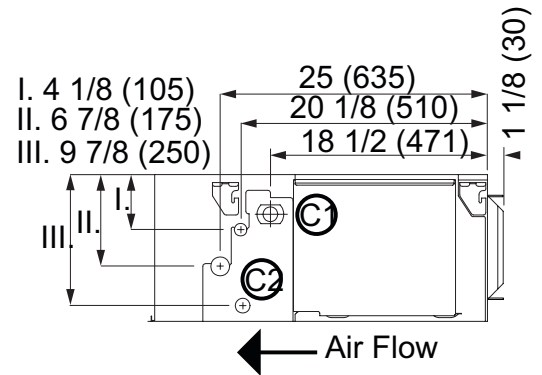
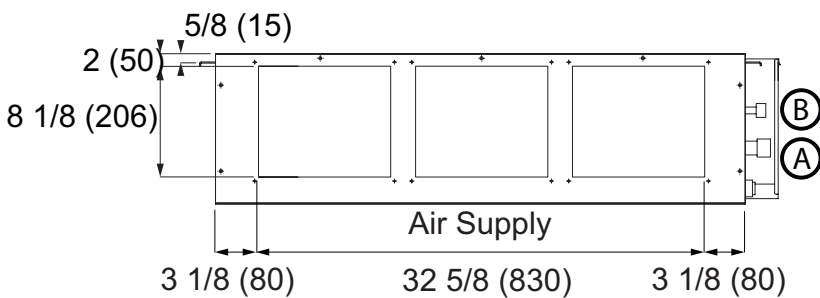
Haier MRV-S Series Submittal

24000 BTU/HR HIGH STATIC DUCT TYPE INDOOR UNIT

MVAH024MV2AA



	Name
A	Vapor Pipe
B	Liquid Pipe
C1	Drain Pump Outlet
C2	Drain Pan Port
D	Fresh Air Outlet
E	Fresh Air Inlet



Haier MRV-S Series Submittal

30000 BTU/HR HIGH STATIC DUCT TYPE INDOOR UNIT

MVAH030MV2AA

Job Name: _____

Purchaser: _____

Submitted To: _____

Construction: _____

Reference: _____

Approval: _____

Date: _____

Submitted By: _____

Unit: _____

Drawing #: _____



Electrical Requirement

Power Supply	208/230V, 1 Phase, 60 HZ
Operating Voltage Range	187~253 VAC

Performance

Rated Cooling Capacity	30,000 BTU
Rated Heating Capacity	34,000 BTU

Piping

Connections (Flare)	3/8" (Liquid) 5/8" (Vapor)
Drain Pipe (O.D)	1"

Accessories

Remote Control

Not compatible

Wired Controller

Compatible with YR-E17, YR-E16B and YCZ-A004

Indoor Unit

Uncrated Dimension (HxWxD)	11 x 37 3/8 x 25 in (280 x 950 x 635 mm)
Crated (HxWxD)	12 3/4 x 44 x 29 in (325 x 1117 x 736 mm)
Airflow CFM (Turbo/High/Med/Low/Quiet)	941/824/735/647/529
Indoor Sound Level dB (Turbo/High/Med/Low/Quiet)	44/42/40/38/34
Maximum ESP (IWC)	0.80
Motor Rating (HP)	0.277
Heat Exchanger Fin Type	Blue Fin
Condensate Pump	Included - 27.5 in Lift
Weight (Ship/Net)	86/75 lbs



YR-E17



YR-E16b



ACZ-A004



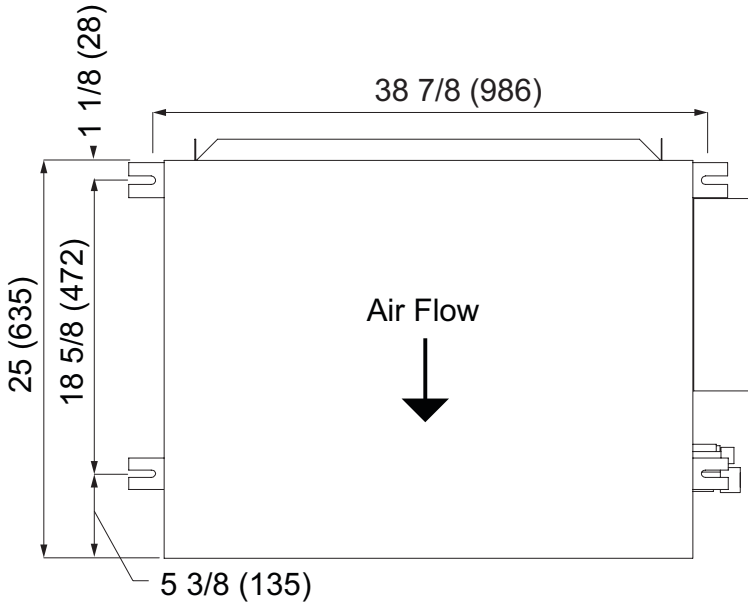
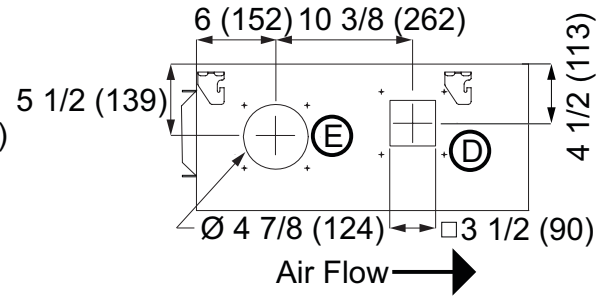
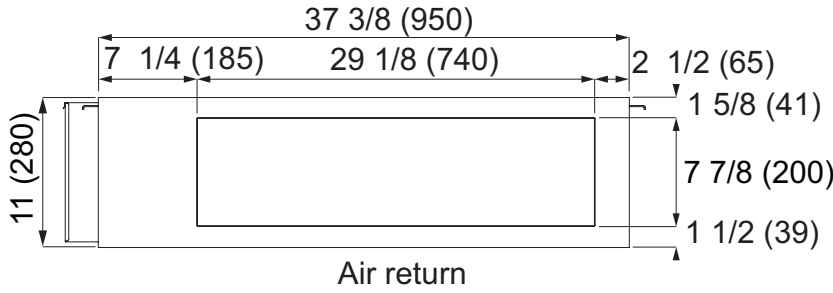
For more information visit us:
www.Haierductless.com
www.Haierductlesshelp.com



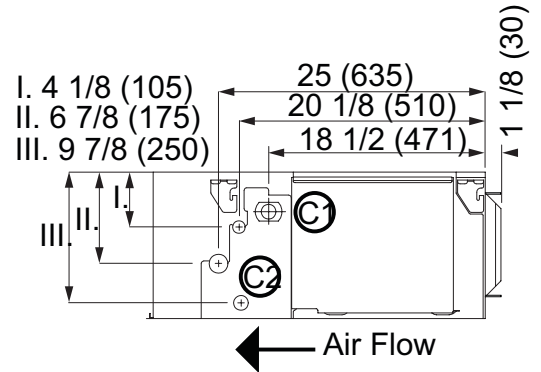
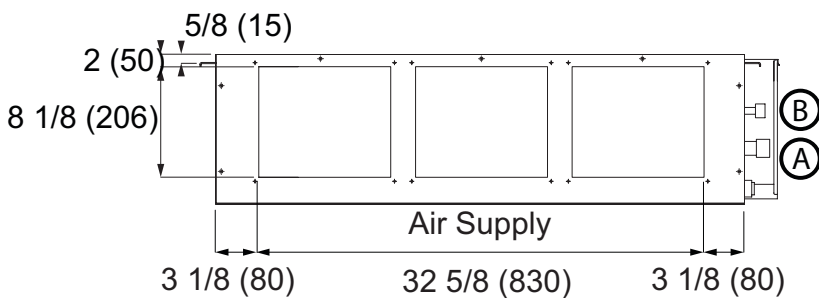
Haier MRV-S Series Submittal

30000 BTU/HR HIGH STATIC DUCT TYPE INDOOR UNIT

MVAH030MV2AA



	Name
A	Vapor Pipe
B	Liquid Pipe
C1	Drain Pump Outlet
C2	Drain Pan Port
D	Fresh Air Outlet
E	Fresh Air Inlet



Haier MRV-S Series Submittal

36000 BTU/HR HIGH STATIC DUCT TYPE INDOOR UNIT

MVAH036MV2AA

Job Name: _____

Purchaser: _____

Submitted To: _____

Construction: _____

Reference: _____

Approval: _____

Date: _____

Submitted By: _____

Unit: _____

Drawing #: _____



Electrical Requirement

Power Supply	208/230V, 1 Phase, 60 HZ
Operating Voltage Range	187~253 VAC

Performance

Rated Cooling Capacity	36,000 BTU
Rated Heating Capacity	40,000 BTU

Piping

Connections (Flare)	3/8" (Liquid) 5/8" (Vapor)
Drain Pipe (O.D)	2"

Accessories

Remote Control

Not compatible

Wired Controller

Compatible with YR-E17, YR-E16B and YCZ-A004

Indoor Unit

Uncrated Dimension (HxWxD)	11 x 53 7/8 x 29 1/8 in (280 x 1370 x 740 mm)
Crated (HxWxD)	14 1/4 x 60 3/8 x 33 in (362 x 1535 x 839 mm)
Airflow CFM (Turbo/High/Med/Low/Quiet)	1078/988/888/824/720
Indoor Sound Level dB (Turbo/High/Med/Low/Quiet)	46/43/41/39/35
Maximum ESP (IWC)	0.80
Motor Rating (HP)	0.314
Heat Exchanger Fin Type	Blue Fin
Condensate Pump	Included - 27.5 in Lift
Weight (Ship/Net)	136.7/119 lbs



YR-E17



YR-E16b



ACZ-A004



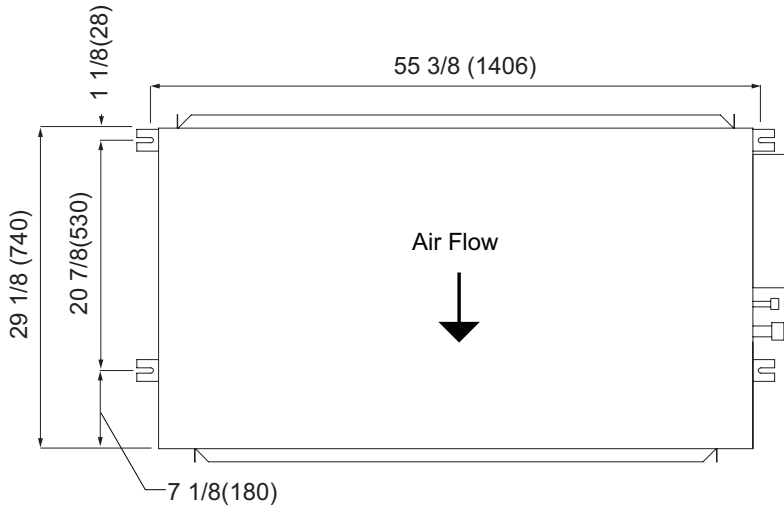
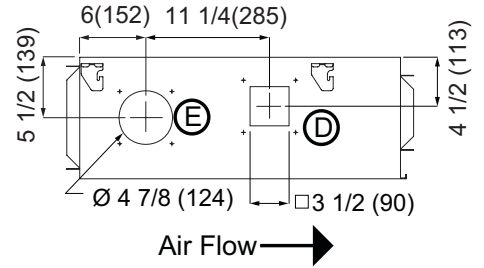
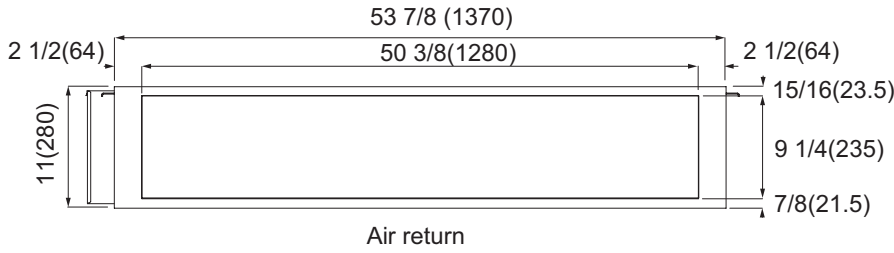
For more information visit us:
www.Haierductless.com
www.Haierductlesshelp.com



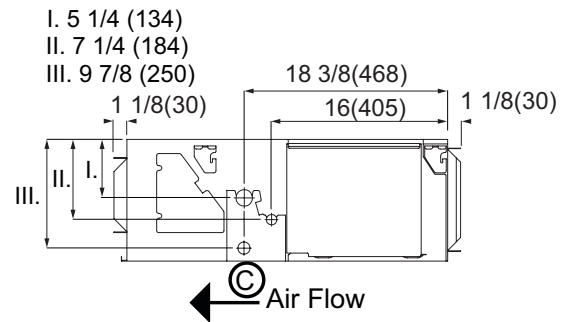
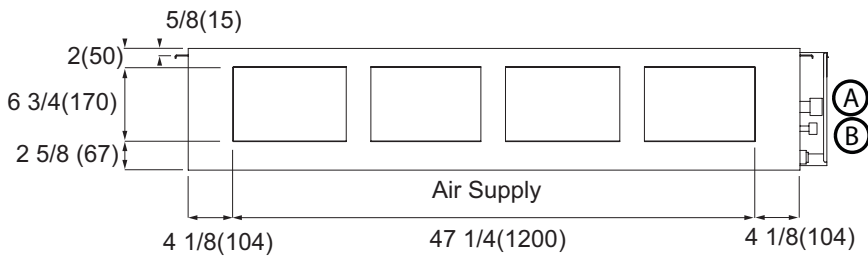
Haier MRV-S Series Submittal

36000 BTU/HR HIGH STATIC DUCT TYPE INDOOR UNIT

MVAH036MV2AA



	Name
A	Vapor Pipe
B	Liquid Pipe
C	Drain Pan Port
D	Fresh Air Outlet
E	Fresh Air Inlet



Haier MRV-S Series Submittal

42000 BTU/HR HIGH STATIC DUCT TYPE INDOOR UNIT

MVAH042MV2AA

Job Name: _____

Purchaser: _____

Submitted To: _____

Construction: _____

Reference: _____

Approval: _____

Date: _____

Submitted By: _____

Unit: _____

Drawing #: _____



Electrical Requirement

Power Supply	208/230V, 1 Phase, 60 HZ
Operating Voltage Range	187~253 VAC

Performance

Rated Cooling Capacity	42,000 BTU
Rated Heating Capacity	47,000 BTU

Piping

Connections (Flare)	3/8" (Liquid) 5/8" (Vapor)
Drain Pipe (O.D)	3"

Accessories

Remote Control

Not compatible

Wired Controller

Compatible with YR-E17, YR-E16B and YCZ-A004

Indoor Unit

Uncrated Dimension (HxWxD)	11 x 53 7/8 x 29 1/8 in (280 x 1370 x 740 mm)
Crated (HxWxD)	14 1/4 x 60 3/8 x 33 in (362 x 1535 x 839 mm)
Airflow CFM (Turbo/High/Med/Low/Quiet)	1200/1129/1047/953/860
Indoor Sound Level dB (Turbo/High/Med/Low/Quiet)	47/44/42/40/36
Maximum ESP (IWC)	0.80
Motor Rating (HP)	0.314
Heat Exchanger Fin Type	Blue Fin
Condensate Pump	Included - 27.5 in Lift
Weight (Ship/Net)	136.7/119 lbs



YR-E17



YR-E16b



ACZ-A004



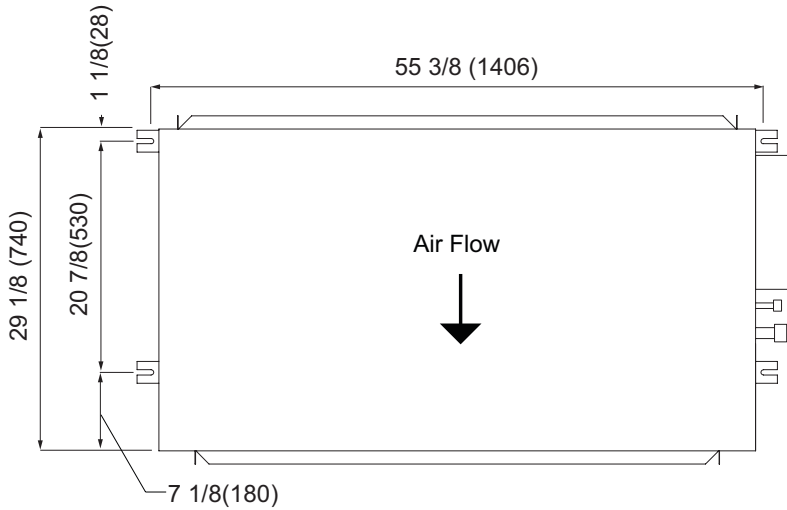
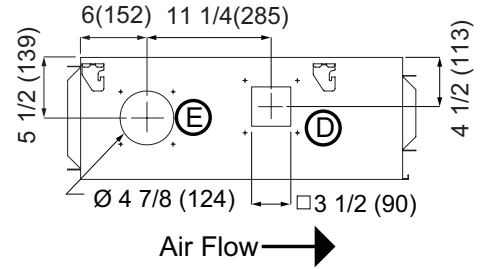
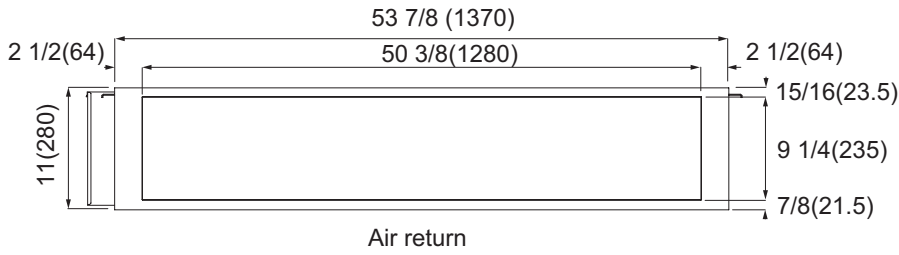
For more information visit us:
www.Haierductless.com
www.Haierductlesshelp.com



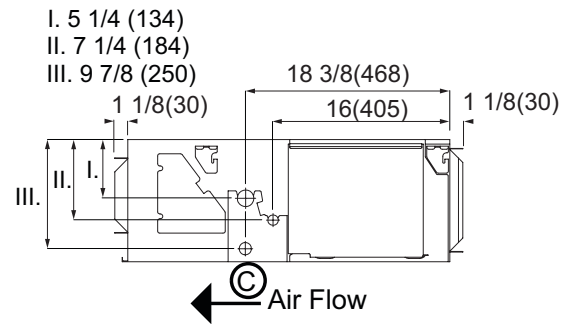
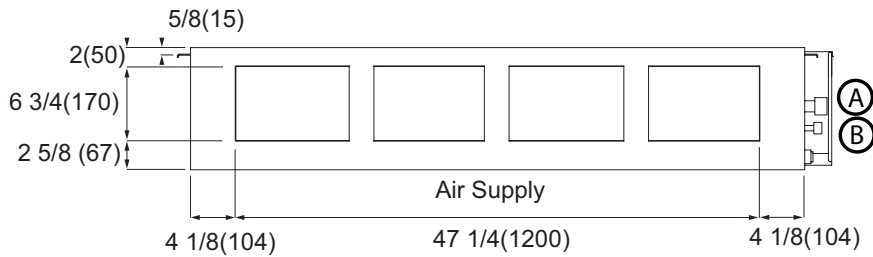
Haier MRV-S Series Submittal

42000 BTU/HR HIGH STATIC DUCT TYPE INDOOR UNIT

MVAH042MV2AA



	Name
A	Vapor Pipe
B	Liquid Pipe
C	Drain Pan Port
D	Fresh Air Outlet
E	Fresh Air Inlet



Haier MRV-S Series Submittal

48000 BTU/HR HIGH STATIC DUCT TYPE INDOOR UNIT

MVAH048MV2AA

Job Name: _____

Purchaser: _____

Submitted To: _____

Construction: _____

Reference: _____

Approval: _____

Date: _____

Submitted By: _____

Unit: _____

Drawing #: _____



Electrical Requirement

Power Supply	208/230V, 1 Phase, 60 HZ
Operating Voltage Range	187~253 VAC

Performance

Rated Cooling Capacity	48,000 BTU
Rated Heating Capacity	54,000 BTU

Piping

Connections (Flare)	3/8" (Liquid) 5/8" (Vapor)
Drain Pipe (O.D)	4"

Accessories

Remote Control

Not compatible

Wired Controller

Compatible with YR-E17, YR-E16B and YCZ-A004

Indoor Unit

Uncrated Dimension (HxWxD)	11 x 53 7/8 x 29 1/8 in (280 x 1370 x 740 mm)
Crated (HxWxD)	14 1/4 x 60 3/8 x 33 in (362 x 1535 x 839 mm)
Airflow CFM (Turbo/High/Med/Low/Quiet)	1330/1235/1129/1047/960
Indoor Sound Level dB (Turbo/High/Med/Low/Quiet)	49/46/44/41/37
Maximum ESP (IWC)	0.80
Motor Rating (HP)	0.362
Heat Exchanger Fin Type	Blue Fin
Condensate Pump	Included - 27.5 in Lift
Weight (Ship/Net)	136.7/119 lbs



YR-E17



YR-E16b



ACZ-A004



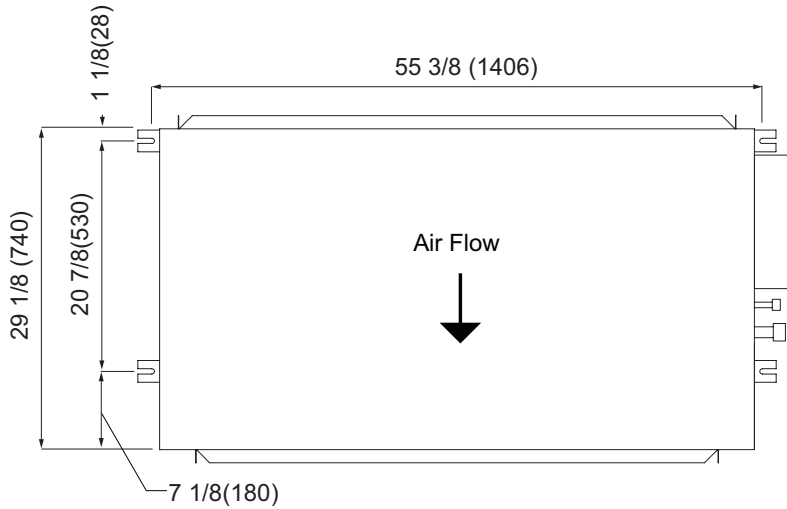
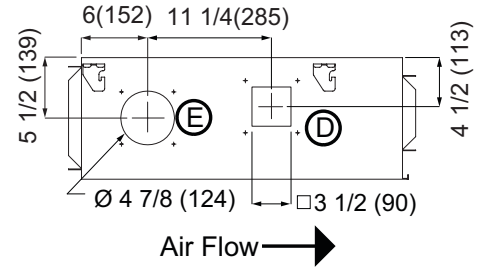
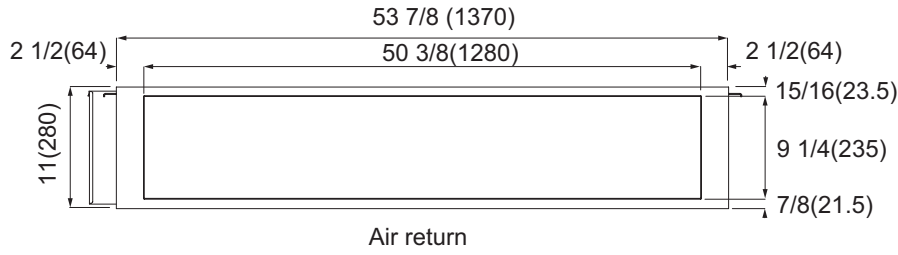
For more information visit us:
www.Haierductless.com
www.Haierductlesshelp.com



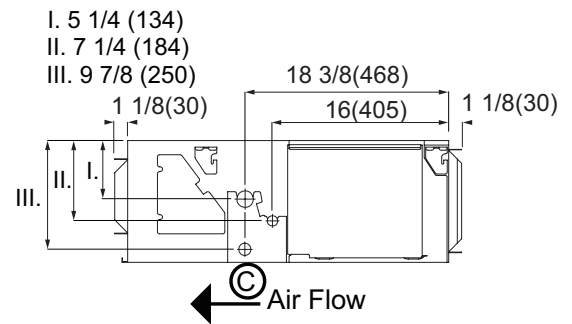
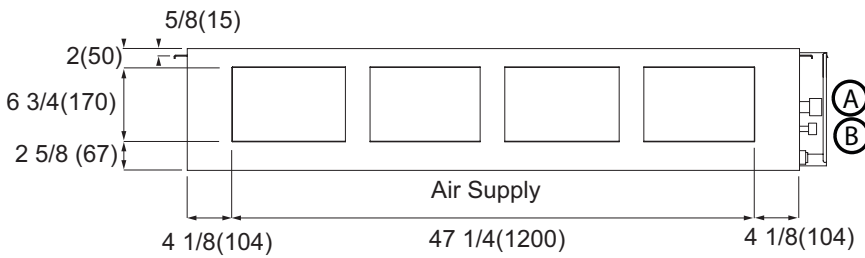
Haier MRV-S Series Submittal

48000 BTU/HR HIGH STATIC DUCT TYPE INDOOR UNIT

MVAH048MV2AA



	Name
A	Vapor Pipe
B	Liquid Pipe
C	Drain Pan Port
D	Fresh Air Outlet
E	Fresh Air Inlet



FAQ-B335A

		Gas side branch pipe		Liquid side branch pipe		Gas side connection of branch pipe		Liquid side connection of branch pipe	
Inch	Millimeter								