

Haier

Submittals

Tempo Series

Rev. June 2022



1U09TE1VHA / AW09TE1VHA

1U09TE2VHA / AW09TE2VHA

1U12TE1VHA / AW12TE1VHA

1U12TE2VHA / AW12TE2VHA

1U18TE2VHA / AW18TE2VHA

1U24TE2VHA / AW24TE2VHA

1U24TL2HFA / AW24TL2HFA

1U3036TL2HFA / AW30TL2HFA

1U3036TL2HFA / AW36TL2HFA



GE APPLIANCES
a Haier company

For more information visit us:
www.Haierductless.com
www.Haierductlesshelp.com

Revision History

Rev. April 2017 - Edition release
Rev. April 2018 - Minimum pipe length, motor rating added.
Rev. May 2019 - Accessories & electrical requirement update.
Rev. June 2020 - Accessories update.
Rev. July 2020 - Added ODU floor mounting dimensions diagrams.
Rev. Aug. 2020 - Controller updates.
Rev. Feb. 2021 - Added 208/230V 9K and 12K units, accessory tables.
Rev. May 2021 - Capacity table revisions.
Rev. Nov. 2021 - SEER/EER, HSPF corrections.
Rev. Dec. 2021 - SEER/EER, HSPF corrections.
Rev. Feb. 2022 - 18K, 24K operating range corrections.
Rev. June 2022 - Low Ambient models added.

Haier Tempo Submittal

9,000 BTU Wall Mount Single-Zone Heat Pump System

1U09TE1VHA / AW09TE1VHA

Job Name: _____

Purchaser: _____

Submitted To: _____

Construction: _____

Reference: _____

Approval: _____

Date: _____

Submitted By: _____

Unit: _____

Drawing #: _____



Electrical Requirement

Power Supply	115V, 1 Phase, 60 HZ
Operating Voltage Range	104-127 VAC
Recommended Fuse/Breaker Size	20A
MCA	18A

Connecting cable to indoor units must be 14/4 AWG unshielded stranded copper. Cable must be ran continuous, without splicing.

Operating Range

Cooling with Wind Baffle	14~115°F (-10~46°C)
Cooling Without Wind Baffle	23~115°F (-5~46°C)
Heating	-4~75°F (-20~24°C)

Cooling Performance

Rated Cooling Capacity	9,000 BTU
Cooling Capacity Range	3,800~12,000 BTU
Rated Power input	810 W
SEER	16.0
EER	11.0

Heating Performance

Rated Heating Capacity	10,000 BTU
Heating Capacity Range	4,100~12,000 BTU
HSPF	9.0

Pipe Length

Minimum Pipe Length	10 ft	
Maximum Pipe Length	66 ft	
Maximum Pipe Height Difference	33 ft	
Flare Connections	Liquid	1/4"
	Vapor	3/8"

Accessories

Controller	Model/Part Number	Note
Ships with	Standard Remote Control (WJ01X24721)	
Compatible Controllers	Simplified Wired Controller (QACT17A)	Requires WK-B kit
	Programmable Wired Controller (YR-E16B)	Requires WK-B kit
WiFi Module	QAWF01A	
Wind Baffle	QAWB41A	



GE APPLIANCES
a Haier company

For more information visit us:
www.Haierductless.com
www.Haierductlesshelp.com



Haier Tempo Submittal

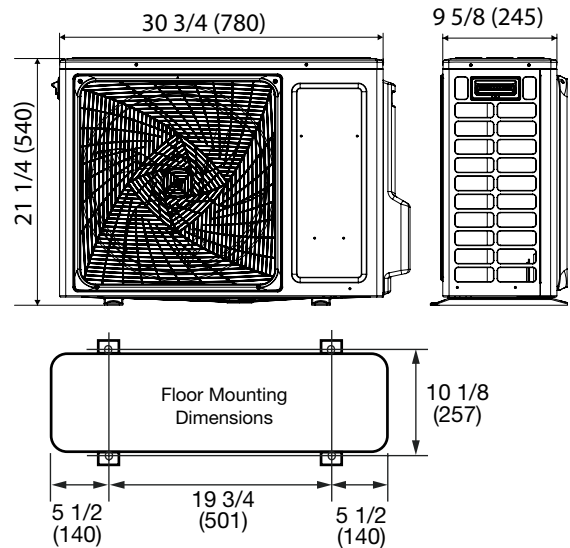
9,000 BTU Wall Mount Single-Zone Heat Pump System

1U09TE1VHA / AW09TE1VHA

Indoor Unit	
Uncrated Dimension (HxWxD)	11 3/8 x 34 x 7 7/8 in (290 x 864 x 200 mm)
Crated (HxWxD)	14 x 37 1/2 x 11 in (355 x 954 x 279 mm)
Airflow CFM (Turbo/High/Med/Low/Quiet)	305/295/280/265/240
Indoor Sound Level dB (Turbo/High/Med/Low/Quiet)	39/37/33/28/23
Motor Rating (HP)	0.064
Heat Exchanger Fin Type	Blue Fin
Weight (Ship/Net)	24.7/19.9 lbs



Outdoor Unit	
Compressor	DC inverter Driven Rotary
Uncrated Dimension (HxWxD)	21 1/4 x 30 3/4 x 9 5/8 in (540 x 780 x 245 mm)
Crated (HxWxD)	24 3/8 x 36 1/4 x 13 7/8 in (620 x 920 x 351 mm)
Outdoor Sound Rating dB	47
Heat Exchanger Fin Type	Blue Fin
Weight (Ship/Net)	66.1/58.4 lbs
Factory Refrigerant Charge	R-410A (26.5 oz)



Heating Capacity Data

Outdoor Air Temp DB	Indoor Temperature								
	59°F (15°C)			68°F (20°C)			77°F (25°C)		
	Maximum Capacity (Btu/h)	Power Usage (w)	COP	Maximum Capacity (Btu/h)	Power Usage (w)	COP	Maximum Capacity (Btu/h)	Power Usage (w)	COP
-4°F (-20°C)	5,420	1,040	1.53	5,210	1,110	1.38	4,900	1,170	1.23
5°F (-15°C)	7,050	1,000	2.07	6,710	1,060	1.86	6,370	1,120	1.67
17°F (-8°C)	8,050	700	3.37	7,590	740	3.01	7,290	780	2.74
47°F (8°C)	11,340	870	3.82	10,500	950	3.24	9,660	1,030	2.75

Cooling Capacity Data

Outdoor Air Temp DB	Indoor Temperature								
	70°F (21°C)			75°F (24°C)			80°F (27°C)		
	Maximum Capacity (Btu/h)	Power Usage (w)	EER	Maximum Capacity (Btu/h)	Power Usage (w)	EER	Maximum Capacity (Btu/h)	Power Usage (w)	EER
14°F (-10°C)*	7,490	250	29.96	7,740	250	30.96	8,320	260	32.00
23°F (-5°C)	7,490	260	28.81	7,740	260	29.77	8,320	270	30.81
41°F (5°C)	7,490	270	27.74	7,740	270	28.67	8,320	280	29.71
45°F (7.2°C)	7,490	270	27.74	7,740	270	28.67	8,320	280	29.71
55°F (12.8°C)	7,490	280	26.75	7,740	280	27.64	8,320	290	28.69
65°F (18°C)	8,590	670	12.82	8,870	680	13.04	9,540	700	13.63
75°F (24°C)	9,250	680	13.60	9,560	700	13.66	10,280	720	14.28
85°F (29°C)	10,160	710	14.31	10,500	730	14.38	11,290	750	15.05
95°F (35°C)	8,690	760	11.43	8,970	780	11.50	9,650	800	12.06
105°F (41°C)	8,340	770	10.83	8,620	790	10.91	9,270	810	11.44
115°F (46°C)	5,970	390	15.31	6,170	400	15.43	6,630	420	15.79

Heating and cooling capacities and power usage are measured under the assumption of indoor humidity of 46%.

*Cooling capacities under low ambient temperatures below 23°F (-5°C) are tested when using wind baffle on outdoor unit.

Haier Tempo Submittal

9,000 BTU Wall Mount Single-Zone Heat Pump System

1U09TE2VHA / AW09TE2VHA

Job Name: _____

Purchaser: _____

Submitted To: _____

Construction: _____

Reference: _____

Approval: _____

Date: _____

Submitted By: _____

Unit: _____

Drawing #: _____



Electrical Requirement

Power Supply	208/230V, 1 Phase, 60 HZ
Operating Voltage Range	187~253 VAC
Recommended Fuse/Breaker Size	15A
MCA	12A

Connecting cable to indoor units must be 14/4 AWG unshielded stranded copper. Cable must be ran continuous, without splicing.

Operating Range

Cooling with Wind Baffle	-4~115°F (-20~46°C)
Cooling Without Wind Baffle	23~115°F (-5~46°C)
Heating	-4~75°F (-20~24°C)

Cooling Performance

Rated Cooling Capacity	9,000 BTU
Cooling Capacity Range	3,800~10,000 BTU
Rated Power input	800 W
SEER	18.0
EER	11.0

Heating Performance

Rated Heating Capacity	10,000 BTU
Heating Capacity Range	4,100~11,000 BTU
HSPF	10.0

Pipe Length

Minimum Pipe Length	10 ft	
Maximum Pipe Length	66 ft	
Maximum Pipe Height Difference	33 ft	
Flare Connections	Liquid	1/4"
	Vapor	3/8"

Accessories

Controller	Model/Part Number	Note
Ships with	Standard Remote Control (WJ01X24721)	
Compatible Controllers	Simplified Wired Controller (QACT17A)	Requires WK-B kit
	Programmable Wired Controller (YR-E16B)	Requires WK-B kit
WiFi Module	N/A (Embedded)	
Wind Baffle	QAWB41A	



For more information visit us:
www.Haierductless.com
www.Haierductlesshelp.com



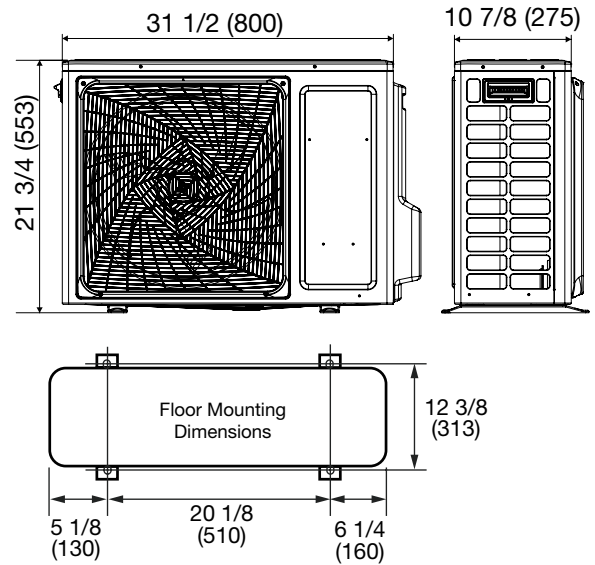
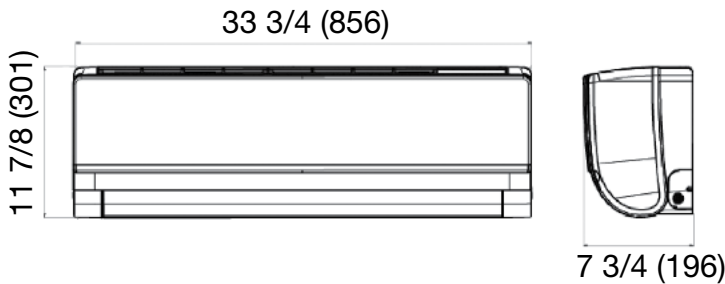
Haier Tempo Submittal

9,000 BTU Wall Mount Single-Zone Heat Pump System

1U09TE2VHA / AW09TE2VHA

Indoor Unit	
Uncrated Dimension (HxWxD)	11 7/8 x 33 3/4 x 7 3/4 in (301 x 856 x 196 mm)
Crated (HxWxD)	15 3/8 x 37 1/2 x 11 1/8 in (389 x 952 x 283 mm)
Airflow CFM (Turbo/High/Med/Low/Quiet)	421/332/292/242/200
Indoor Sound Level dB (Turbo/High/Med/Low/Quiet)	42/36/33/29/26
Motor Rating (HP)	0.064
Heat Exchanger Fin Type	Blue Fin
Weight (Ship/Net)	26.9/21.2 lbs

Outdoor Unit	
Compressor	DC inverter Driven Rotary
Uncrated Dimension (HxWxD)	21 3/4 x 31 1/2 x 10 7/8 in (553 x 800 x 275 mm)
Crated (HxWxD)	25 3/8 x 37 1/2 x 16 1/8 in (645 x 954 x 409 mm)
Outdoor Sound Rating dB	48
Heat Exchanger Fin Type	Blue Fin
Weight (Ship/Net)	76.1/63.5 lbs
Factory Refrigerant Charge	R-410A (32.8 oz)



Heating Capacity Data

Outdoor Air Temp DB	Indoor Set Temperature								
	60°F (16°C)			70°F (21°C)			77°F (25°C)		
	Maximum Capacity (Btu/h)	Power Usage (w)	COP	Maximum Capacity (Btu/h)	Power Usage (w)	COP	Maximum Capacity (Btu/h)	Power Usage (w)	COP
-4°F (-20°C)	5,500	980	1.64	5,000	1,000	1.46	4,500	1,020	1.29
5°F (-15°C)	6,500	960	1.98	6,000	980	1.79	5,500	1,000	1.61
17°F (-8°C)	8,000	890	2.63	7,500	910	2.41	7,000	930	2.21
47°F (8°C)	11,500	830	4.06	11,000	850	3.79	10,500	870	3.54

Cooling Capacity Data

Outdoor Air Temp DB	Indoor Set Temperature								
	70°F (21°C)			75°F (24°C)			80°F (27°C)		
	Maximum Capacity (Btu/h)	Power Usage (w)	EER	Maximum Capacity (Btu/h)	Power Usage (w)	EER	Maximum Capacity (Btu/h)	Power Usage (w)	EER
14°F (-10°C)*	7,590	320	23.72	7,850	330	23.79	8,320	340	24.47
32°F (0°C)	7,590	380	19.97	7,790	390	19.97	8,320	400	20.80
50°F (10°C)	7,690	450	17.09	7,890	460	17.15	8,320	470	17.70
65°F (18°C)	8,690	670	12.97	8,970	690	13.00	9,540	720	13.25
75°F (24°C)	9,350	690	13.55	9,560	720	13.28	10,280	740	13.89
85°F (29°C)	11,000	900	12.22	11,500	920	12.50	12,000	940	12.77
95°F (35°C)	10,000	1,000	10.00	10,500	1,020	10.29	11,000	1,040	10.58
105°F (41°C)	8,340	770	10.83	8,620	790	10.91	9,270	810	11.44
115°F (46°C)	5,970	390	15.31	6,170	400	15.43	6,630	420	15.79

Heating and cooling capacities and power usage are measured under the assumption of indoor humidity of 46%.

*Cooling capacities under low ambient temperatures below 23°F (-5°C) are tested when using wind baffle on outdoor unit.

Haier Tempo Submittal

12,000 BTU Wall Mount Single-Zone Heat Pump System

1U12TE1VHA / AW12TE1VHA

Job Name: _____

Purchaser: _____

Submitted To: _____

Construction: _____

Reference: _____

Approval: _____

Date: _____

Submitted By: _____

Unit: _____

Drawing #: _____



Accessories		
Controller	Model/Part Number	Note
Ships with	Standard Remote Control (WJ01X24721)	
Compatible Controllers	Simplified Wired Controller (QACT17A)	Requires WK-B kit
	Programmable Wired Controller (YR-E16B)	Requires WK-B kit
WiFi Module	QAWF01A	
Wind Baffle	QAWB41A	

Electrical Requirement	
Power Supply	115V, 1 Phase, 60 HZ
Operating Voltage Range	104-127 VAC
Recommended Fuse/Breaker Size	20A
MCA	18A

Connecting cable to indoor units must be 14/4 AWG unshielded stranded copper. Cable must be ran continuous, without splicing.

Operating Range	
Cooling with Wind Baffle	-4~115°F (-20~46°C)
Cooling Without Wind Baffle	23~115°F (-5~46°C)
Heating	-4~75°F (-20~24°C)

Cooling Performance	
Rated Cooling Capacity	12,000 BTU
Cooling Capacity Range	4,100~12,500 BTU
Rated Power input	1,200 W
SEER	16.0
EER	11.0

Heating Performance	
Rated Heating Capacity	12,000 BTU
Heating Capacity Range	4,500~16,000 BTU
HSPF	9.0

Pipe Length		
Minimum Pipe Length	10 ft	
Maximum Pipe Length	66 ft	
Maximum Pipe Height Difference	33 ft	
Flare Connections	Liquid	1/4"
	Vapor	3/8"



For more information visit us:
www.Haierductless.com
www.Haierductlesshelp.com



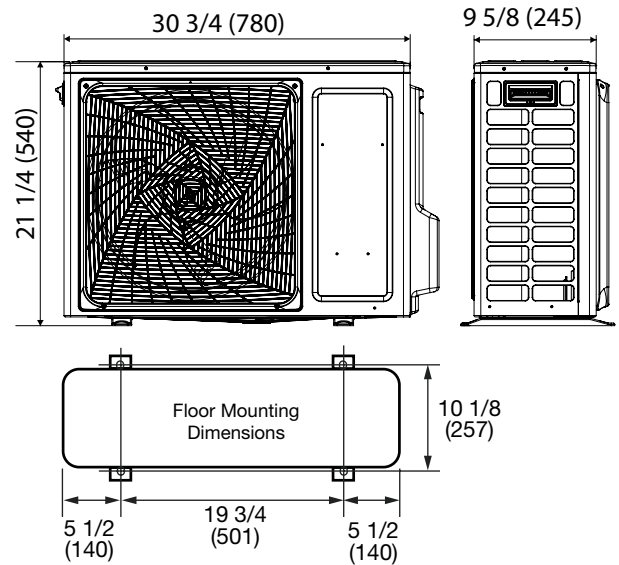
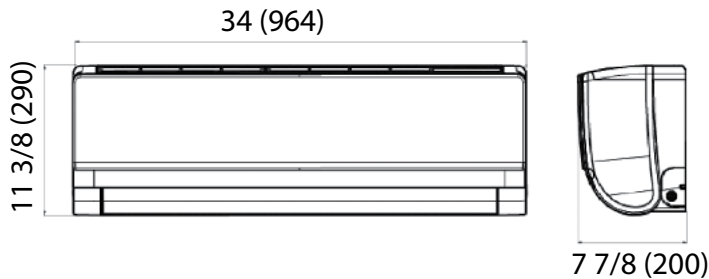
Haier Tempo Submittal

12,000 BTU Wall Mount Single-Zone Heat Pump System

1U12TE1VHA / AW12TE1VHA

Indoor Unit	
Uncrated Dimension (HxWxD)	11 3/8 x 34 x 7 7/8 in (290 x 864 x 200 mm)
Crated (HxWxD)	14 x 37 1/2 x 11 in (355 x 954 x 279 mm)
Airflow CFM (Turbo/High/Med/Low/Quiet)	310/300/287/275/245
Indoor Sound Level dB (Turbo/High/Med/Low/Quiet)	39/37/33/28/23
Motor Rating (HP)	0.064
Heat Exchanger Fin Type	Blue Fin
Weight (Ship/Net)	24.7/19.9 lbs

Outdoor Unit	
Compressor	DC inverter Driven Rotary
Uncrated Dimension (HxWxD)	21 1/4 x 30 3/4 x 9 5/8 in (540 x 780 x 245 mm)
Crated (HxWxD)	24 3/8 x 36 1/4 x 13 7/8 in (620 x 920 x 351 mm)
Outdoor Sound Rating dB	50
Heat Exchanger Fin Type	Blue Fin
Weight (Ship/Net)	71.7/63.9 lbs
Factory Refrigerant Charge	R-410A (35.3 oz)



Heating Capacity Data

Outdoor Air Temp DB	Indoor Temperature								
	59°F (15°C)			68°F (20°C)			77°F (25°C)		
	Maximum Capacity (Btu/h)	Power Usage (w)	COP	Maximum Capacity (Btu/h)	Power Usage (w)	COP	Maximum Capacity (Btu/h)	Power Usage (w)	COP
-4°F (-20°C)	6,550	1,320	1.45	6,300	1,400	1.32	5,920	1,470	1.18
5°F (-15°C)	9,380	1,270	2.16	8,930	1,350	1.94	8,480	1,430	1.74
17°F (-8°C)	10,810	890	3.56	10,200	950	3.15	9,790	1,010	2.84
47°F (8°C)	13,850	1,040	3.90	12,820	1,130	3.33	11,790	1,220	2.83

Cooling Capacity Data

Outdoor Air Temp DB	Indoor Temperature								
	70°F (21°C)			75°F (24°C)			80°F (27°C)		
	Maximum Capacity (Btu/h)	Power Usage (w)	EER	Maximum Capacity (Btu/h)	Power Usage (w)	EER	Maximum Capacity (Btu/h)	Power Usage (w)	EER
14°F (-10°C)*	9,940	330	30.12	9,940	340	29.24	10,800	350	30.86
23°F (-5°C)	9,940	340	29.24	9,940	350	28.40	10,800	360	30.00
41°F (5°C)	9,940	350	28.40	9,940	360	27.61	10,800	370	29.19
45°F (7.2°C)	9,720	360	27.00	10,040	370	27.14	10,800	380	28.42
55°F (12.8°C)	9,720	370	26.27	10,040	380	26.42	10,800	390	27.69
65°F (18°C)	10,250	930	11.02	10,590	950	11.15	11,390	980	11.62
75°F (24°C)	11,740	990	11.86	12,130	1,020	11.89	13,040	1,050	12.42
85°F (29°C)	12,830	1,050	12.22	13,260	1,070	12.39	14,260	1,110	12.85
95°F (35°C)	11,720	1,110	10.56	12,110	1,130	10.72	13,020	1,160	11.22
105°F (41°C)	11,120	1,160	9.59	11,490	1,190	9.66	12,360	1,220	10.13
115°F (46°C)	7,960	620	12.84	8,230	630	13.06	8,850	650	13.62

Heating and cooling capacities and power usage are measured under the assumption of indoor humidity of 46%.

*Cooling capacities under low ambient temperatures below 23°F (-5°C) are tested when using wind baffle on outdoor unit.

Haier Tempo Submittal

12,000 BTU Wall Mount Single-Zone Heat Pump System

1U12TE2VHA / AW12TE2VHA

Job Name: _____

Purchaser: _____

Submitted To: _____

Construction: _____

Reference: _____

Approval: _____

Date: _____

Submitted By: _____

Unit: _____

Drawing #: _____



Electrical Requirement

Power Supply	208/230V, 1 Phase, 60 HZ
Operating Voltage Range	187~253 VAC
Recommended Fuse/Breaker Size	15A
MCA	12A

Connecting cable to indoor units must be 14/4 AWG unshielded stranded copper. Cable must be ran continuous, without splicing.

Operating Range

Cooling with Wind Baffle	-4~115°F (-20~46°C)
Cooling Without Wind Baffle	23~115°F (-5~46°C)
Heating	-4~75°F (-20~24°C)

Cooling Performance

Rated Cooling Capacity	12,000 BTU
Cooling Capacity Range	4,100~13,000 BTU
Rated Power input	1,100 W
SEER	18.0
EER	11.0

Heating Performance

Rated Heating Capacity	12,000 BTU
Heating Capacity Range	4,500~13,000 BTU
HSPF	10.0

Pipe Length

Minimum Pipe Length	10 ft	
Maximum Pipe Length	66 ft	
Maximum Pipe Height Difference	33 ft	
Flare Connections	Liquid	1/4"
	Vapor	3/8"

Accessories

Controller	Model/Part Number	Note
Ships with	Standard Remote Control (WJ01X24721)	
Compatible Controllers	Simplified Wired Controller (QACT17A)	Requires WK-B kit
	Programmable Wired Controller (YR-E16B)	Requires WK-B kit
WiFi Module	N/A (Embedded)	
Wind Baffle	QAWB41A	



For more information visit us:
www.Haierductless.com
www.Haierductlesshelp.com



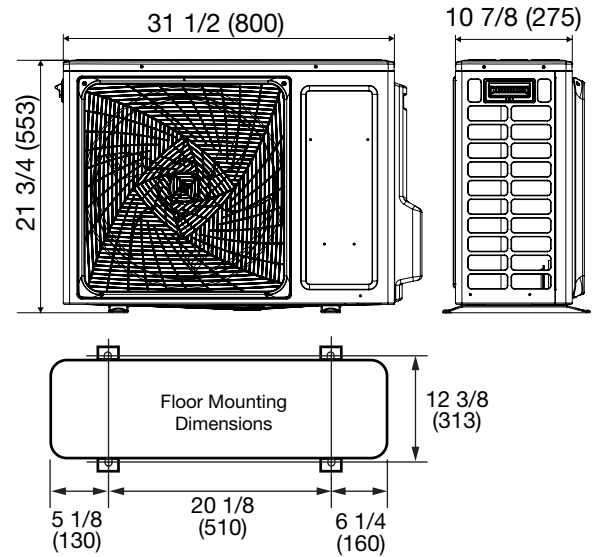
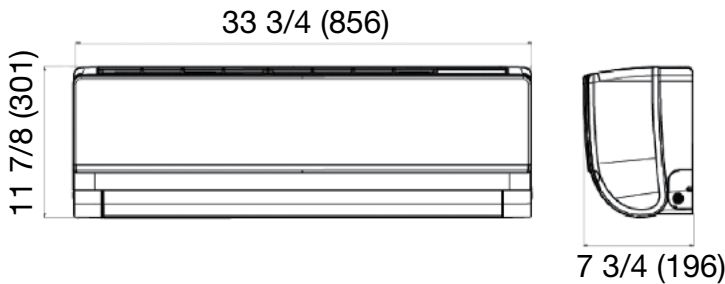
Haier Tempo Submittal

12,000 BTU Wall Mount Single-Zone Heat Pump System

1U12TE2VHA / AW12TE2VHA

Indoor Unit	
Uncrated Dimension (HxWxD)	11 7/8 x 33 3/4 x 7 3/4 in (301 x 856 x 196 mm)
Crated (HxWxD)	15 3/8 x 37 1/2 x 11 1/8 in (389 x 952 x 283 mm)
Airflow CFM (Turbo/High/Med/Low/Quiet)	426/360/310/265/200
Indoor Sound Level dB (Turbo/High/Med/Low/Quiet)	42/38/34/31/26
Motor Rating (HP)	0.064
Heat Exchanger Fin Type	Blue Fin
Weight (Ship/Net)	26.9/21.2 lbs

Outdoor Unit	
Compressor	DC inverter Driven Rotary
Uncrated Dimension (HxWxD)	21 3/4 x 31 1/2 x 10 7/8 in (553 x 800 x 275 mm)
Crated (HxWxD)	25 3/8 x 37 1/2 x 16 1/8 in (645 x 954 x 409 mm)
Outdoor Sound Rating dB	50
Heat Exchanger Fin Type	Blue Fin
Weight (Ship/Net)	82.2/69.7 lbs
Factory Refrigerant Charge	R-410A (40.6 oz)



Heating Capacity Data

Outdoor Air Temp DB	Indoor Set Temperature								
	60°F (16°C)			70°F (21°C)			77°F (25°C)		
	Maximum Capacity (Btu/h)	Power Usage (w)	COP	Maximum Capacity (Btu/h)	Power Usage (w)	COP	Maximum Capacity (Btu/h)	Power Usage (w)	COP
-4°F (-20°C)	8,000	1,300	1.80	7,500	1,320	1.66	7,000	1,340	1.53
5°F (-15°C)	9,000	1,280	2.06	8,500	1,300	1.92	8,000	1,320	1.78
17°F (-8°C)	10,500	1,080	2.85	10,000	1,100	2.66	9,500	1,120	2.49
47°F (8°C)	13,000	1,030	3.70	12,500	1,050	3.49	12,000	1,070	3.29

Cooling Capacity Data

Outdoor Air Temp DB	Indoor Set Temperature								
	70°F (21°C)			75°F (24°C)			80°F (27°C)		
	Maximum Capacity (Btu/h)	Power Usage (w)	EER	Maximum Capacity (Btu/h)	Power Usage (w)	EER	Maximum Capacity (Btu/h)	Power Usage (w)	EER
14°F (-10°C)*	9,950	450	22.11	10,200	460	22.17	10,800	470	22.98
32°F (0°C)	9,950	550	18.09	10,900	570	19.12	11,450	580	19.74
50°F (10°C)	9,960	630	15.81	10,900	650	16.77	11,450	670	17.09
65°F (18°C)	10,350	980	10.56	11,090	990	11.20	11,490	1,120	10.26
75°F (24°C)	11,840	1,050	11.28	12,330	1,070	11.52	12,300	1,090	11.28
85°F (29°C)	12,500	1,080	11.57	12,800	1,150	11.13	13,000	1,160	11.21
95°F (35°C)	12,000	1,100	10.91	12,200	1,160	10.52	12,500	1,170	10.68
105°F (41°C)	11,220	1,000	11.22	11,590	1,020	11.36	12,360	1,050	11.77
115°F (46°C)	8,060	670	12.03	8,330	690	12.07	8,950	710	12.61

Heating and cooling capacities and power usage are measured under the assumption of indoor humidity of 46%.

*Cooling capacities under low ambient temperatures below 23°F (-5°C) are tested when using wind baffle on outdoor unit.

Haier Tempo Submittal

18,000 BTU Wall Mount Single-Zone Heat Pump System

1U18TE2VHA / AW18TE2VHA

Job Name: _____

Purchaser: _____

Submitted To: _____

Construction: _____

Reference: _____

Approval: _____

Date: _____

Submitted By: _____

Unit: _____

Drawing #: _____



Electrical Requirement

Power Supply	208/230V, 1 Phase, 60 HZ
Operating Voltage Range	187~253 VAC
Recommended Fuse/Breaker Size	20A
MCA	17A

Connecting cable to indoor units must be 14/4 AWG unshielded stranded copper. Cable must be ran continuous, without splicing.

Operating Range

Cooling with Wind Baffle	14~115°F (-10~46°C)
Cooling Without Wind Baffle	23~115°F (-5~46°C)
Heating	-4~75°F (-20~24°C)

Cooling Performance

Rated Cooling Capacity	18,000 BTU
Cooling Capacity Range	5,000~19,000 BTU
Rated Power input	1,650 W
SEER	16.0
EER	10.0

Heating Performance

Rated Heating Capacity	19,000 BTU
Heating Capacity Range	5,400~22,000 BTU
HSPF	9.0

Pipe Length

Minimum Pipe Length	10 ft	
Maximum Pipe Length	83 ft	
Maximum Pipe Height Difference	50 ft	
Flare Connections	Liquid	1/4"
	Vapor	1/2"

Accessories

Controller	Model/Part Number	Note
Ships with	Standard Remote Control (WJ01X24721)	
Compatible Controllers	Simplified Wired Controller (QACT17A)	Requires WK-B kit
	Programmable Wired Controller (YR-E16B)	Requires WK-B kit
WiFi Module	QAWF01A	
Wind Baffle	QAWB37A	



For more information visit us:
www.Haierductless.com
www.Haierductlesshelp.com



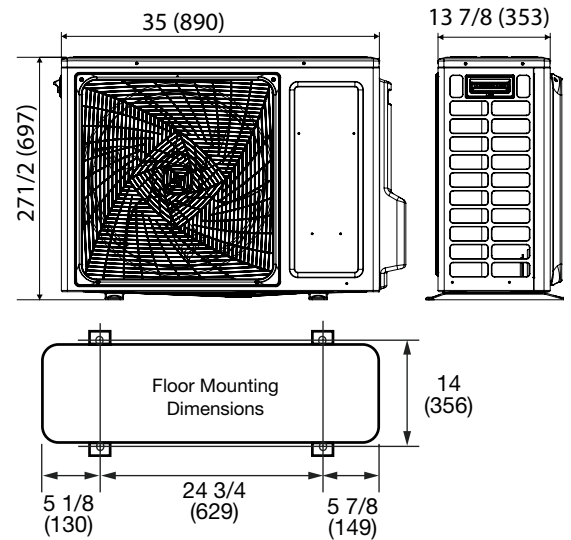
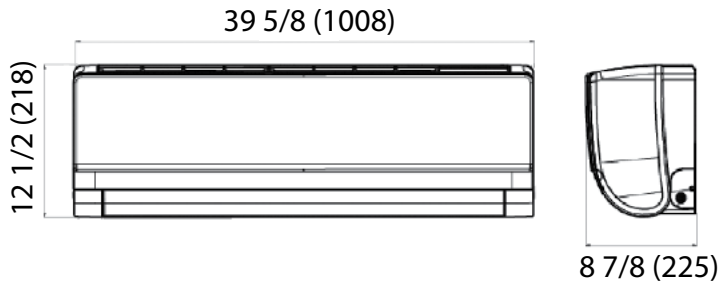
Haier Tempo Submittal

18,000 BTU Wall Mount Single-Zone Heat Pump System

1U18TE2VHA / AW18TE2VHA

Indoor Unit	
Uncrated Dimension (HxWxD)	12 1/2 x 39 5/8 x 8 7/8 in (318 x 1008 x 225 mm)
Crated (HxWxD)	15 7/8 x 42 3/4 x 13 in (403 x 1085 x 329 mm)
Airflow CFM (Turbo/High/Med/Low/Quiet)	545/530/505/475/460
Indoor Sound Level dB (Turbo/High/Med/Low/Quiet)	45/43/39/36/33
Motor Rating (HP)	0.064
Heat Exchanger Fin Type	Blue Fin
Weight (Ship/Net)	33/26.5 lbs

Outdoor Unit	
Compressor	DC inverter Driven Rotary
Uncrated Dimension (HxWxD)	27 1/2 x 35 x 13 7/8 in (697 x 890 x 353 mm)
Crated (HxWxD)	30 3/4 x 41 1/8 x 18 1/8 in (780 x 1046 x 460 mm)
Outdoor Sound Rating dB	56
Heat Exchanger Fin Type	Blue Fin
Weight (Ship/Net)	105.8/97 lbs
Factory Refrigerant Charge	R-410A (40.6 oz)



Heating Capacity Data

Outdoor Air Temp DB	Indoor Temperature								
	59°F (15°C)			68°F (20°C)			77°F (25°C)		
	Maximum Capacity (Btu/h)	Power Usage (w)	COP	Maximum Capacity (Btu/h)	Power Usage (w)	COP	Maximum Capacity (Btu/h)	Power Usage (w)	COP
-4°F (-20°C)	9,980	2,120	1.38	9,600	2,260	1.24	9,020	2,370	1.12
5°F (-15°C)	13,230	2,040	1.90	12,600	2,170	1.70	11,970	2,300	1.53
17°F (-8°C)	16,880	1,600	3.09	15,920	1,700	2.74	15,280	1,800	2.49
47°F (8°C)	20,680	1,650	3.67	19,150	1,790	3.14	17,620	1,930	2.68

Cooling Capacity Data

Outdoor Air Temp DB	Indoor Temperature								
	70°F (21°C)			75°F (24°C)			80°F (27°C)		
	Maximum Capacity (Btu/h)	Power Usage (w)	EER	Maximum Capacity (Btu/h)	Power Usage (w)	EER	Maximum Capacity (Btu/h)	Power Usage (w)	EER
14°F (-10°C)*	15,680	620	25.29	16,200	630	25.71	17,420	650	26.80
23°F (-5°C)	15,680	630	24.89	16,200	640	25.31	17,420	660	26.39
41°F (5°C)	15,680	640	24.50	16,200	650	24.92	17,420	670	26.00
45°F (7.2°C)	15,680	650	24.12	16,200	660	24.55	17,420	680	25.62
55°F (12.8°C)	15,680	660	23.76	16,200	670	24.18	17,420	690	25.25
65°F (18°C)	16,950	1,670	10.15	17,510	1,710	10.24	18,830	1,760	10.70
75°F (24°C)	18,370	1,640	11.20	18,990	1,680	11.30	20,420	1,730	11.80
85°F (29°C)	19,650	1,740	11.29	20,310	1,770	11.47	21,840	1,830	11.93
95°F (35°C)	18,550	1,830	10.14	19,170	1,870	10.25	20,620	1,920	10.74
105°F (41°C)	17,610	1,920	9.17	18,190	1,960	9.28	19,560	2,020	9.68
115°F (46°C)	12,610	1,030	12.24	13,030	1,050	12.41	14,010	1,080	12.97

Heating and cooling capacities and power usage are measured under the assumption of indoor humidity of 46%.

*Cooling capacities under low ambient temperatures below 23°F (-5°C) are tested when using wind baffle on outdoor unit.

Haier Tempo Submittal

24,000 BTU Wall Mount Single-Zone Heat Pump System

1U24TE2VHA / AW24TE2VHA

Job Name: _____

Purchaser: _____

Submitted To: _____

Construction: _____

Reference: _____

Approval: _____

Date: _____

Submitted By: _____

Unit: _____

Drawing #: _____



Accessories		
Controller	Model/Part Number	Note
Ships with	Standard Remote Control (WJ01X24721)	
Compatible Controllers	Simplified Wired Controller (QACT17A)	Requires WK-B kit
	Programmable Wired Controller (YR-E16B)	Requires WK-B kit
WiFi Module	QAWF01A	
Wind Baffle	QAWB45A	

Electrical Requirement	
Power Supply	208/230V, 1 Phase, 60 HZ
Operating Voltage Range	187~253 VAC
Recommended Fuse/Breaker Size	25A
MCA	19A

Connecting cable to indoor units must be 14/4 AWG unshielded stranded copper. Cable must be ran continuous, without splicing.

Operating Range	
Cooling with Wind Baffle	14~115°F (-10~46°C)
Cooling Without Wind Baffle	23~115°F (-5~46°C)
Heating	-4~75°F (-20~24°C)

Cooling Performance	
Rated Cooling Capacity	24,000 BTU
Cooling Capacity Range	6,500~26,000 BTU
Rated Power input	2,150 W
SEER	16.0
EER	10.0

Heating Performance	
Rated Heating Capacity	26,000 BTU
Heating Capacity Range	6,800~28,000 BTU
HSPF	9.0

Pipe Length		
Minimum Pipe Length	10 ft	
Maximum Pipe Length	83 ft	
Maximum Pipe Height Difference	50 ft	
Flare Connections	Liquid	1/4"
	Vapor	1/2"



For more information visit us:
www.Haierductless.com
www.Haierductlesshelp.com



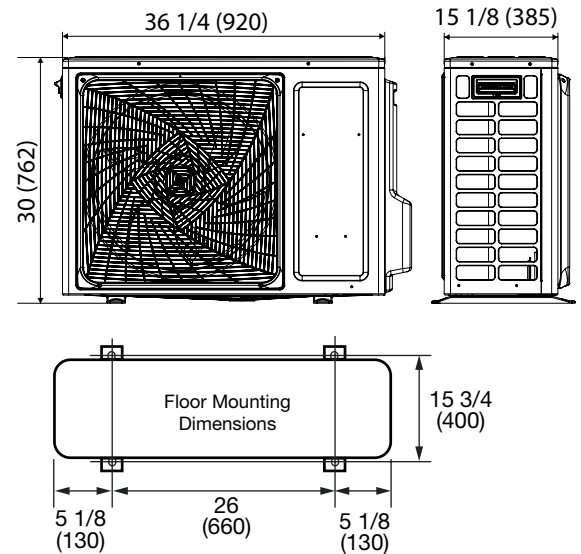
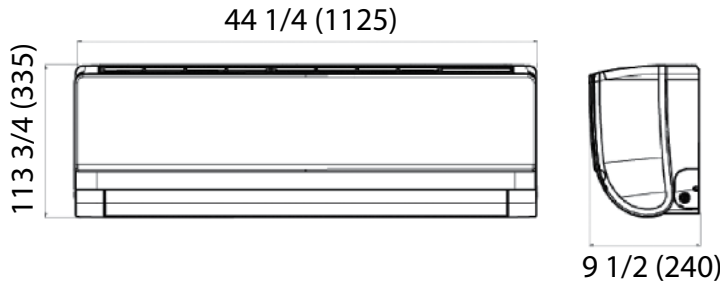
Haier Tempo Submittal

24,000 BTU Wall Mount Single-Zone Heat Pump System

1U24TE2VHA / AW24TE2VHA

Indoor Unit	
Uncrated Dimension (HxWxD)	13 1/4 x 44 1/4 x 9 1/2 in (335 x 1125 x 240 mm)
Crated (HxWxD)	16 1/2 x 47 1/2 x 13 1/2 in (418 x 1206 x 342 mm)
Airflow CFM (Turbo/High/Med/Low/Quiet)	665/650/610/570/555
Indoor Sound Level dB (Turbo/High/Med/Low/Quiet)	47/45/40/37/34
Motor Rating (HP)	0.094
Heat Exchanger Fin Type	Blue Fin
Weight (Ship/Net)	38.6/30.9 lbs

Outdoor Unit	
Compressor	DC inverter Driven Rotary
Uncrated Dimension (HxWxD)	30 x 36 1/4 x 15 1/8 in (762 x 920 x 385 mm)
Crated (HxWxD)	33 1/4 x 42 3/4 x 19 1/8 in (843 x 1085 x 487 mm)
Outdoor Sound Rating dB	53
Heat Exchanger Fin Type	Blue Fin
Weight (Ship/Net)	121.3/112.5 lbs
Factory Refrigerant Charge	R-410A (67 oz)



Heating Capacity Data

Outdoor Air Temp DB	Indoor Temperature								
	59°F (15°C)			68°F (20°C)			77°F (25°C)		
	Maximum Capacity (Btu/h)	Power Usage (w)	COP	Maximum Capacity (Btu/h)	Power Usage (w)	COP	Maximum Capacity (Btu/h)	Power Usage (w)	COP
-4°F (-20°C)	13,520	2,350	1.69	13,000	2,500	1.52	12,220	2,630	1.36
5°F (-15°C)	16,490	2,290	2.11	15,700	2,440	1.89	14,920	2,590	1.69
17°F (-8°C)	20,970	2,110	2.91	19,780	2,240	2.59	18,990	2,370	2.35
47°F (8°C)	28,240	2,200	3.76	26,150	2,390	3.21	24,060	2,580	2.73

Cooling Capacity Data

Outdoor Air Temp DB	Indoor Temperature								
	70°F (21°C)			75°F (24°C)			80°F (27°C)		
	Maximum Capacity (Btu/h)	Power Usage (w)	EER	Maximum Capacity (Btu/h)	Power Usage (w)	EER	Maximum Capacity (Btu/h)	Power Usage (w)	EER
14°F (-10°C)*	20,300	1,150	17.65	20,970	1,170	17.92	22,550	1,210	18.64
23°F (-5°C)	20,300	1,160	17.50	20,970	1,180	17.77	22,550	1,220	18.48
41°F (5°C)	20,300	1,170	17.35	20,980	1,190	17.63	22,560	1,230	18.34
45°F (7.2°C)	20,320	1,180	17.22	21,000	1,200	17.50	22,580	1,240	18.21
55°F (12.8°C)	20,600	1,190	17.31	21,290	1,210	17.60	22,890	1,250	18.31
65°F (18°C)	21,420	2,000	10.71	22,130	2,050	10.80	23,800	2,110	11.28
75°F (24°C)	22,680	2,000	11.34	23,440	2,040	11.49	25,200	2,100	12.00
85°F (29°C)	23,250	2,040	11.40	24,030	2,090	11.50	25,840	2,150	12.02
95°F (35°C)	23,050	2,130	10.82	23,820	2,170	10.98	25,620	2,240	11.44
105°F (41°C)	17,610	1,920	9.17	18,190	1,960	9.28	19,560	2,020	9.68
115°F (46°C)	12,610	1,030	12.24	13,030	1,050	12.41	14,010	1,080	12.97

Heating and cooling capacities and power usage are measured under the assumption of indoor humidity of 46%.

*Cooling capacities under low ambient temperatures below 23°F (-5°C) are tested when using wind baffle on outdoor unit.

Haier Tempo Submittal

24,000 BTU Wall Mount Single-Zone -40°F Low-Ambient Cooling System

1U24TL2HFA / AW24TL2HFA

Job Name: _____

Purchaser: _____

Submitted To: _____

Construction: _____

Reference: _____

Approval: _____

Date: _____

Submitted By: _____

Unit: _____

Drawing #: _____



Electrical Requirement

Power Supply	208/230V, 1 Phase 60 HZ
Operating Voltage Range	187-153 VAC
Recommended Fuse/Breaker Size	40A
MCA	30A

Connecting cable to indoor units must be 14/4 AWG unshielded stranded copper. Cable must be ran continuous, without splicing.

Operating Range

Cooling	-40°F~115°F(-40~46°C)
Heating	-4~75°F (-20~24°C)

Cooling Performance

Rated Cooling Capacity	23,000 BTU
Cooling Capacity Range	6,000~25,000 BTU
Rated Power input	1900 W
SEER	20
EER	11

Heating Performance

Rated Heating Capacity	26,000 BTU
Heating Capacity Range	6,000~28,000 BTU
HSPF	10

Pipe Length

Minimum Pipe Length	10 ft	
Maximum Pipe Length	165 ft	
Maximum Pipe Height Difference	100 ft	
Flare Connections	Liquid	3/8"
	Vapor	5/8"

Accessories

Controller	Model/Part Number	Note
Ships with	Standard Remote Control (WJ01X24721)	
Compatible Controllers	Simplified Wired Controller (QACT17A)	No adapter required
	Programmable Wired Controller (YR-E16B)	No adapter required
WiFi Module	QAWF01A	
Front Wind Baffle	UAWB46A	Required for low-ambient cooling
Side/Back Wind Baffles	UAWB82A	



For more information visit us:
www.Haierductless.com
www.Haierductlesshelp.com

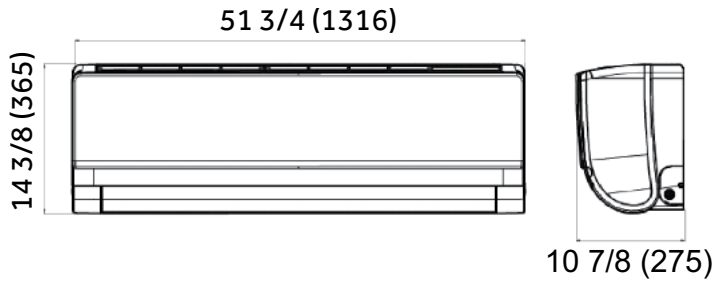


Haier Tempo Submittal

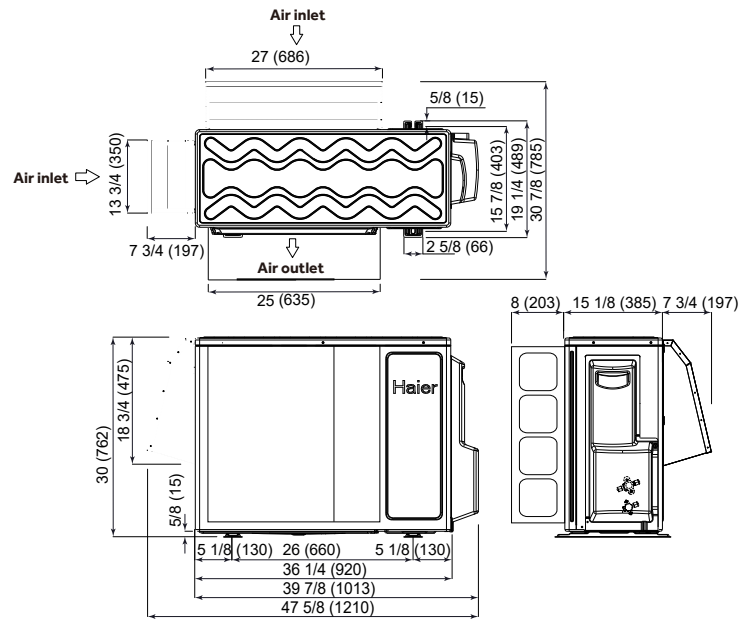
24,000 BTU Wall Mount Single-Zone -40°F Low-Ambient Cooling System

1U24TL2HFA / AW24TL2HFA

Indoor Unit	
Uncrated Dimension (HxWxD)	14 3/8 × 51 3/4 × 10 7/8 in (365×1316×275 mm)
Crated (HxWxD)	18 7/8 × 55 7/8 × 15 7/8 in (478×1418×402 mm)
Airflow CFM (Turbo/High/Med/Low/Quiet)	810/750/635/520/440
Indoor Sound Level dB (Turbo/High/Med/Low/Quiet)	53/52/47/42/38
Motor Rating (HP)	0.07
Heat Exchanger Fin Type	Blue Fin
Weight (Ship/Net)	56.2/46.3 lbs



Outdoor Unit	
Compressor	DC inverter Driven Rotary
Uncrated Dimension (HxWxD)	30 × 36 1/4 × 15 1/8 in (762×920×385 mm)
Crated (HxWxD)	34 1/8 × 42 3/4 × 19 1/8 in (868×1085×485 mm)
Outdoor Sound Rating dB	61
Heat Exchanger Fin Type	Blue Fin
Weight (Ship/Net)	165/145 lbs
Factory Refrigerant Charge	R-410A (84.7oz)



Haier Tempo Submittal

24,000 BTU Wall Mount Single-Zone -40°F Low-Ambient Cooling System

1U24TL2HFA / AW24TL2HFA

Cooling Capacity Data

IDU 60°F	No Wind Baffles			Front Wind Baffle Only			Front, Side, and Back Wind Baffles			
	Outdoor Air Temp DB	Maximum Capacity (Btu/h)	Power Usage (w)	EER	Maximum Capacity (Btu/h)	Power Usage (w)	EER	Maximum Capacity (Btu/h)	Power Usage (w)	EER
-40°F (-40°C)								20,700	1,000	20.70
-22°F (-30°C)								20,868.3	1,020	20.46
-15°F (-26°C)								21,044.7	1,044	20.16
-4°F (-20°C)				20,700	1,016.8	20.36		21,231.9	1,072	19.81
5°F (-15°C)				20,771.1	1,116.8	18.60		21,152.7	1,164	18.17
14°F (-10°C)				20,790	1,176.8	17.67		20,984.4	1,224	17.14
23°F (-5°C)	16,560	1,168	14.18	20,811.6	1,270.4	16.38		20,906.1	1,300	16.08
32°F (0°C)	18,720	1,200	15.60	20,687.4	1,353.6	15.28		20,584.8	1,369.6	15.03
50°F (10°C)	19,710	1,264	15.59	20,481.3	1,377.6	14.87		20,392.2	1,437.6	14.18
60°F (15°C)	19,800	1,312	15.09	19,903.5	1,428	13.94		19,706.4	1,449.6	13.59
70°F (21°C)	20,070	1,360	14.76	19,974.6	1,459.2	13.69		19,823.4	1,481.6	13.38
80°F (27°C)	20,970	1,400	14.98	20,905.2	1,493.6	14.00		20,840.4	1,529.6	13.62
95°F (35°C)	20,700	1,520	13.62	20,696.4	1,646.4	12.57		20,358.9	1,670.4	12.19
105°F (41°C)	21,240	1,640	12.95	21,182.4	1,708	12.40		21,052.8	1,744.8	12.07
115°F (46°C)	20,520	1,776	11.55	20,487.6	1,849.6	11.08		20,396.7	1,874.4	10.88

IDU 70°F	No Wind Baffles			Front Wind Baffle Only			Front, Side, and Back Wind Baffles			
	Outdoor Air Temp DB	Maximum Capacity (Btu/h)	Power Usage (w)	EER	Maximum Capacity (Btu/h)	Power Usage (w)	EER	Maximum Capacity (Btu/h)	Power Usage (w)	EER
-40°F (-40°C)								21,850.0	1,125.0	19.42
-22°F (-30°C)								22,027.7	1,147.5	19.20
-15°F (-26°C)								22,213.9	1,174.5	18.91
-4°F (-20°C)				21,850.0	1,143.9	19.10		22,411.5	1,206.0	18.58
5°F (-15°C)				21,925.1	1,256.4	17.45		22,327.9	1,309.5	17.05
14°F (-10°C)				21,945.0	1,323.9	16.58		22,150.2	1,377.0	16.09
23°F (-5°C)	17,480.0	1,314.0	13.30	21,967.8	1,429.2	15.37		22,067.6	1,462.5	15.09
32°F (0°C)	19,760.0	1,350.0	14.64	21,836.7	1,522.8	14.34		21,728.4	1,540.8	14.10
50°F (10°C)	20,805.0	1,422.0	14.63	21,619.2	1,549.8	13.95		21,525.1	1,617.3	13.31
60°F (15°C)	20,900.0	1,476.0	14.16	21,009.3	1,606.5	13.08		20,801.2	1,630.8	12.76
70°F (21°C)	21,185.0	1,530.0	13.85	21,084.3	1,641.6	12.84		20,924.7	1,666.8	12.55
80°F (27°C)	22,135.0	1,575.0	14.05	22,066.6	1,680.3	13.13		21,998.2	1,720.8	12.78
95°F (35°C)	21,850.0	1,710.0	12.78	21,846.2	1,852.2	11.79		21,490.0	1,879.2	11.44
105°F (41°C)	22,420.0	1,845.0	12.15	22,359.2	1,921.5	11.64		22,222.4	1,962.9	11.32
115°F (46°C)	21,660.0	1,998.0	10.84	21,625.8	2,080.8	10.39		21,529.9	2,108.7	10.21

IDU 80°F	No Wind Baffles			Front Wind Baffle Only			Front, Side, and Back Wind Baffles			
	Outdoor Air Temp DB	Maximum Capacity (Btu/h)	Power Usage (w)	EER	Maximum Capacity (Btu/h)	Power Usage (w)	EER	Maximum Capacity (Btu/h)	Power Usage (w)	EER
-40°F (-40°C)								23,000	1,250	18.40
-22°F (-30°C)								23,187	1,275	18.19
-15°F (-26°C)								23,383	1,305	17.92
-4°F (-20°C)				23,000	1,271	18.10		23,591	1,340	17.61
5°F (-15°C)				23,079	1,396	16.53		23,503	1,455	16.15
14°F (-10°C)				23,100	1,471	15.70		23,316	1,530	15.24
23°F (-5°C)	18,400	1,460	12.60	23,124	1,588	14.56		23,229	1,625	14.29
32°F (0°C)	20,800	1,500	13.87	22,986	1,692	13.59		22,872	1,712	13.36
50°F (10°C)	21,900	1,580	13.86	22,757	1,722	13.22		22,658	1,797	12.61
60°F (15°C)	22,000	1,640	13.41	22,115	1,785	12.39		21,896	1,812	12.08
70°F (21°C)	22,300	1,700	13.12	22,194	1,824	12.17		22,026	1,852	11.89
80°F (27°C)	23,300	1,750	13.31	23,228	1,867	12.44		23,156	1,912	12.11
95°F (35°C)	23,000	1,900	12.11	22,996	2,058	11.17		22,621	2,088	10.83
105°F (41°C)	23,600	2,050	11.51	23,536	2,135	11.02		23,392	2,181	10.73
115°F (46°C)	22,800	2,220	10.27	22,764	2,312	9.85		22,663	2,343	9.67

Haier Tempo Submittal

24,000 BTU Wall Mount Single-Zone -40°F Low-Ambient Cooling System

1U24TL2HFA / AW24TL2HFA

Heating Capacity Data

IDU 60°F	No Wind Baffles			Front, Side, and Back Wind Baffles		
Outdoor Air Temp DB	Maximum Capacity (Btu/h)	Power Usage (w)	COP	Maximum Capacity (Btu/h)	Power Usage (w)	COP
-4°F (-20°C)	13,545.0	3,045.0	1.30	15,258.6	3,131.0	1.43
5°F (-15°C)	22,890.0	3,685.0	1.82	23,100.0	3,715.0	1.82
14°F (-10°C)	21,412.7	2,766.0	2.27	22,270.5	2,833.0	2.30
23°F (-5°C)	25,181.1	2,631.0	2.81	25,776.5	2,684.0	2.81
32°F (0°C)	28,950.6	2,496.0	3.40	29,283.5	2,536.0	3.38

IDU 70°F	No Wind Baffles			Front, Side, and Back Wind Baffles		
Outdoor Air Temp DB	Maximum Capacity (Btu/h)	Power Usage (w)	COP	Maximum Capacity (Btu/h)	Power Usage (w)	COP
-4°F (-20°C)	12,900	3,020	1.25	14,532	3,106	1.37
5°F (-15°C)	21,800	3,660	1.75	22,000	3,690	1.75
14°F (-10°C)	20,393	2,741	2.18	21,210	2,808	2.21
23°F (-5°C)	23,982	2,606	2.70	24,549	2,659	2.71
32°F (0°C)	27,572	2,471	3.27	27,889	2,511	3.26

IDU 80°F	No Wind Baffles			Front, Side, and Back Wind Baffles		
Outdoor Air Temp DB	Maximum Capacity (Btu/h)	Power Usage (w)	COP	Maximum Capacity (Btu/h)	Power Usage (w)	COP
-4°F (-20°C)	12,255.0	2,995.0	1.20	13,805.4	3,081.0	1.31
5°F (-15°C)	20,710.0	3,635.0	1.67	20,900.0	3,665.0	1.67
14°F (-10°C)	19,373.4	2,716.0	2.09	20,149.5	2,783.0	2.12
23°F (-5°C)	22,782.9	2,581.0	2.59	23,321.6	2,634.0	2.59
32°F (0°C)	26,193.4	2,446.0	3.14	26,494.6	2,486.0	3.12

Haier Tempo Submittal

30,000 BTU Wall Mount Single-Zone -40°F Low-Ambient Cooling System

1U3036TL2HFA / AW30TL2HFA

Job Name: _____

Purchaser: _____

Submitted To: _____

Construction: _____

Reference: _____

Approval: _____

Date: _____

Submitted By: _____

Unit: _____

Drawing #: _____



Electrical Requirement

Power Supply	208/230V, 1 Phase 60 HZ
Operating Voltage Range	187-153 VAC
Recommended Fuse/Breaker Size	40A
MCA	30A

Connecting cable to indoor units must be 14/4 AWG unshielded stranded copper. Cable must be ran continuous, without splicing.

Operating Range

Cooling	-40°F~115°F(-40~46°C)
Heating	-4~75°F (-20~24°C)

Cooling Performance

Rated Cooling Capacity	30,000 BTU
Cooling Capacity Range	7,000~32,000 BTU
Rated Power input	3000 W
SEER	18
EER	9.5

Heating Performance

Rated Heating Capacity	31,000 BTU
Heating Capacity Range	7,000~34,000 BTU
HSPF	9.5

Pipe Length

Minimum Pipe Length	10 ft	
Maximum Pipe Length	165 ft	
Maximum Pipe Height Difference	100 ft	
Flare Connections	Liquid	3/8"
	Vapor	5/8"

Accessories

Controller	Model/Part Number	Note
Ships with	Standard Remote Control (WJ01X24721)	
Compatible Controllers	Simplified Wired Controller (QACT17A)	No adapter required
	Programmable Wired Controller (YR-E16B)	No adapter required
WiFi Module	QAWF01A	
Front Wind Baffle	UAWB46A	Required for low-ambient cooling
Side/Back Wind Baffles	UAWB82A	



For more information visit us:
www.Haierductless.com
www.Haierductlesshelp.com

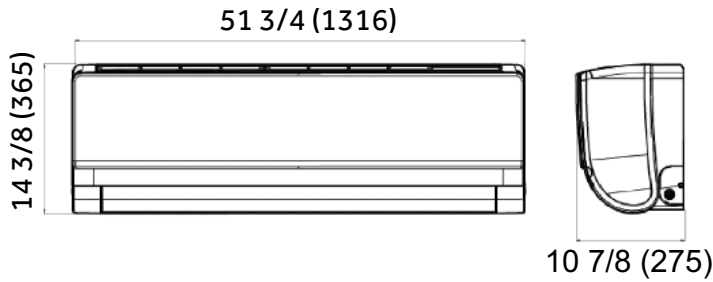


Haier Tempo Submittal

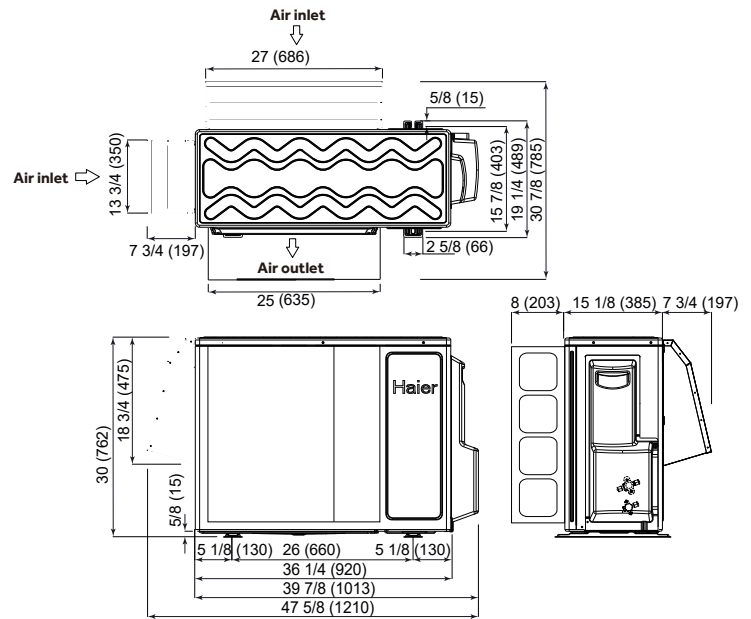
30,000 BTU Wall Mount Single-Zone -40°F Low-Ambient Cooling System

1U3036TL2HFA / AW30TL2HFA

Indoor Unit	
Uncrated Dimension (HxWxD)	14 3/8 × 51 3/4 × 10 7/8 in (365×1316×275 mm)
Crated (HxWxD)	18 7/8 × 55 7/8 × 15 7/8 in (478×1418×402 mm)
Airflow CFM (Turbo/High/Med/Low/Quiet)	875/810/660/520/440
Indoor Sound Level dB (Turbo/High/Med/Low/Quiet)	55/53/49/43/38
Motor Rating (HP)	0.07
Heat Exchanger Fin Type	Blue Fin
Weight (Ship/Net)	56.2/46.3 lbs



Outdoor Unit	
Compressor	DC inverter Driven Rotary
Uncrated Dimension (HxWxD)	30 × 36 1/4 × 15 1/8 in (762×920×385 mm)
Crated (HxWxD)	34 1/8 × 42 3/4 × 19 1/8 in (868×1085×485 mm)
Outdoor Sound Rating dB	62
Heat Exchanger Fin Type	Blue Fin
Weight (Ship/Net)	165/145 lbs
Factory Refrigerant Charge	R-410A (84.7 oz)



Haier Tempo Submittal

30,000 BTU Wall Mount Single-Zone -40°F Low-Ambient Cooling System

1U3036TL2HFA / AW30TL2HFA

Cooling Capacity Data

IDU 60°F	No Wind Baffles			Front Wind Baffle Only			Front, Side, and Back Wind Baffles		
	Outdoor Air Temp DB	Maximum Capacity (Btu/h)	Power Usage (w)	EER	Maximum Capacity (Btu/h)	Power Usage (w)	EER	Maximum Capacity (Btu/h)	Power Usage (w)
-40°F (-40°C)							27,000	1,322	20.42
-22°F (-30°C)							27,111	1,439	18.84
-15°F (-26°C)							27,257	1,478	18.45
-4°F (-20°C)				27,000	1,482	18.21	27,346	1,540	17.76
5°F (-15°C)				27,113	1,582	17.14	27,192	1,628	16.70
14°F (-10°C)				27,180	1,682	16.16	27,128	1,757	15.44
23°F (-5°C)	21,600	1,612	13.40	27,204	1,782	15.27	27,155	1,838	14.77
32°F (0°C)	23,904	1,690	14.14	27,352	1,846	14.82	27,250	1,851	14.72
50°F (10°C)	26,045	1,846	14.11	27,377	1,975	13.86	27,305	2,019	13.52
60°F (15°C)	27,234	1,933	14.09	27,142	2,046	13.27	27,122	2,106	12.88
70°F (21°C)	28,424	2,020	14.07	28,225	2,118	13.33	28,172	2,170	12.98
80°F (27°C)	28,530	2,120	13.46	28,311	2,197	12.88	28,173	2,257	12.48
95°F (35°C)	27,000	2,400	11.25	26,550	2,442	10.87	26,329	2,497	10.54
105°F (41°C)	27,491	2,558	10.75	27,336	2,613	10.46	27,032	2,658	10.17
115°F (46°C)	26,215	2,625	9.99	26,005	2,650	9.81	25,935	2,720	9.54

IDU 70°F	No Wind Baffles			Front Wind Baffle Only			Front, Side, and Back Wind Baffles		
	Outdoor Air Temp DB	Maximum Capacity (Btu/h)	Power Usage (w)	EER	Maximum Capacity (Btu/h)	Power Usage (w)	EER	Maximum Capacity (Btu/h)	Power Usage (w)
-40°F (-40°C)							28,500	1,488	19.16
-22°F (-30°C)							28,617	1,619	17.67
-15°F (-26°C)							28,772	1,662	17.31
-4°F (-20°C)				28,500	1,668	17.09	28,865	1,733	16.66
5°F (-15°C)				28,619	1,780	16.08	28,703	1,832	15.67
14°F (-10°C)				28,690	1,892	15.16	28,636	1,977	14.48
23°F (-5°C)	22,800	1,814	12.57	28,716	2,004	14.33	28,663	2,068	13.86
32°F (0°C)	25,232	1,901	13.27	28,871	2,077	13.90	28,764	2,082	13.81
50°F (10°C)	27,492	2,077	13.24	28,898	2,221	13.01	28,822	2,272	12.69
60°F (15°C)	28,747	2,175	13.22	28,650	2,302	12.45	28,629	2,370	12.08
70°F (21°C)	30,003	2,273	13.20	29,793	2,382	12.51	29,737	2,441	12.18
80°F (27°C)	30,115	2,385	12.63	29,884	2,472	12.09	29,738	2,539	11.71
95°F (35°C)	28,500	2,700	10.56	28,025	2,748	10.20	27,791	2,809	9.89
105°F (41°C)	29,018	2,878	10.08	28,854	2,939	9.82	28,534	2,991	9.54
115°F (46°C)	27,672	2,953	9.37	27,449	2,981	9.21	27,376	3,060	8.95

IDU 80°F	No Wind Baffles			Front Wind Baffle Only			Front, Side, and Back Wind Baffles		
	Outdoor Air Temp DB	Maximum Capacity (Btu/h)	Power Usage (w)	EER	Maximum Capacity (Btu/h)	Power Usage (w)	EER	Maximum Capacity (Btu/h)	Power Usage (w)
-40°F (-40°C)							30,000	1,653	18.15
-22°F (-30°C)							30,124	1,799	16.74
-15°F (-26°C)							30,286	1,847	16.40
-4°F (-20°C)				30,000	1,853	16.19	30,384	1,925	15.78
5°F (-15°C)				30,126	1,978	15.23	30,213	2,035	14.84
14°F (-10°C)				30,200	2,102	14.37	30,143	2,197	13.72
23°F (-5°C)	24,000	2,015	11.91	30,227	2,227	13.57	30,172	2,298	13.13
32°F (0°C)	26,560	2,113	12.57	30,391	2,307	13.17	30,278	2,313	13.09
50°F (10°C)	28,939	2,308	12.54	30,419	2,468	12.32	30,339	2,524	12.02
60°F (15°C)	30,261	2,416	12.52	30,158	2,558	11.79	30,136	2,633	11.45
70°F (21°C)	31,582	2,525	12.51	31,361	2,647	11.85	31,302	2,712	11.54
80°F (27°C)	31,700	2,650	11.96	31,457	2,747	11.45	31,303	2,821	11.10
95°F (35°C)	30,000	3,000	10.00	29,500	3,053	9.66	29,254	3,121	9.37
105°F (41°C)	30,546	3,198	9.55	30,373	3,266	9.30	30,036	3,323	9.04
115°F (46°C)	29,128	3,281	8.88	28,894	3,312	8.72	28,817	3,400	8.48

Haier Tempo Submittal

30,000 BTU Wall Mount Single-Zone -40°F Low-Ambient Cooling System

1U3036TL2HFA / AW30TL2HFA

Heating Capacity Data

IDU 60°F	No Wind Baffles			Front, Side, and Back Wind Baffles		
Outdoor Air Temp DB	Maximum Capacity (Btu/h)	Power Usage (w)	COP	Maximum Capacity (Btu/h)	Power Usage (w)	COP
-4°F (-20°C)	19,530	3,545	1.61	20,265	3,643	1.63
5°F (-15°C)	22,890	3,685	1.82	23,100	3,715	1.82
14°F (-10°C)	26,657	3,271	2.39	27,397	3,350	2.40
23°F (-5°C)	30,220	3,134	2.83	30,963	3,203	2.83
32°F (0°C)	33,784	2,997	3.30	34,529	3,056	3.31

IDU 70°F	No Wind Baffles			Front, Side, and Back Wind Baffles		
Outdoor Air Temp DB	Maximum Capacity (Btu/h)	Power Usage (w)	COP	Maximum Capacity (Btu/h)	Power Usage (w)	COP
-4°F (-20°C)	18,600	3,520	1.55	19,300	3,618	1.56
5°F (-15°C)	21,800	3,660	1.75	22,000	3,690	1.75
14°F (-10°C)	25,388	3,246	2.29	26,093	3,325	2.30
23°F (-5°C)	28,781	3,109	2.71	29,489	3,178	2.72
32°F (0°C)	32,175	2,972	3.17	32,885	3,031	3.18

IDU 80°F	No Wind Baffles			Front, Side, and Back Wind Baffles		
Outdoor Air Temp DB	Maximum Capacity (Btu/h)	Power Usage (w)	COP	Maximum Capacity (Btu/h)	Power Usage (w)	COP
-4°F (-20°C)	17,670	3,495	1.48	18,335	3,593	1.50
5°F (-15°C)	20,710	3,635	1.67	20,900	3,665	1.67
14°F (-10°C)	24,118	3,221	2.19	24,788	3,300	2.20
23°F (-5°C)	27,342	3,084	2.60	28,014	3,153	2.60
32°F (0°C)	30,566	2,947	3.04	31,241	3,006	3.05

Haier Tempo Submittal

36,000 BTU Wall Mount Single-Zone -40°F Low-Ambient Cooling System

1U3036TL2HFA / AW36TL2HFA

Job Name: _____

Purchaser: _____

Submitted To: _____

Construction: _____

Reference: _____

Approval: _____

Date: _____

Submitted By: _____

Unit: _____

Drawing #: _____



Electrical Requirement

Power Supply	208/230V, 1 Phase 60 HZ
Operating Voltage Range	187-153 VAC
Recommended Fuse/Breaker Size	40A
MCA	30A

Connecting cable to indoor units must be 14/4 AWG unshielded stranded copper. Cable must be ran continuous, without splicing.

Operating Range

Cooling	-40°F~115°F(-40~46°C)
Heating	-4~75°F (-20~24°C)

Cooling Performance

Rated Cooling Capacity	33,000 BTU
Cooling Capacity Range	8,000~36,000 BTU
Rated Power input	3900 W
SEER	17.5
EER	8

Heating Performance

Rated Heating Capacity	35,000 BTU
Heating Capacity Range	8,000~39,000 BTU
HSPF	9.5

Pipe Length

Minimum Pipe Length	10 ft	
Maximum Pipe Length	165 ft	
Maximum Pipe Height Difference	100 ft	
Flare Connections	Liquid	3/8"
	Vapor	5/8"

Accessories

Controller	Model/Part Number	Note
Ships with	Standard Remote Control (WJ01X24721)	
Compatible Controllers	Simplified Wired Controller (QACT17A)	No adapter required
	Programmable Wired Controller (YR-E16B)	No adapter required
WiFi Module	QAWF01A	
Front Wind Baffle	UAWB46A	Required for low-ambient cooling
Side/Back Wind Baffles	UAWB82A	



For more information visit us:
www.Haierductless.com
www.Haierductlesshelp.com

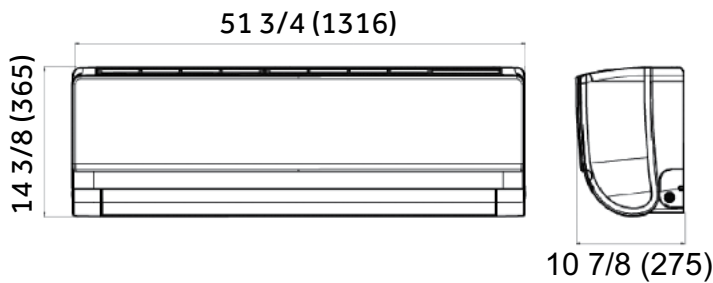


Haier Tempo Submittal

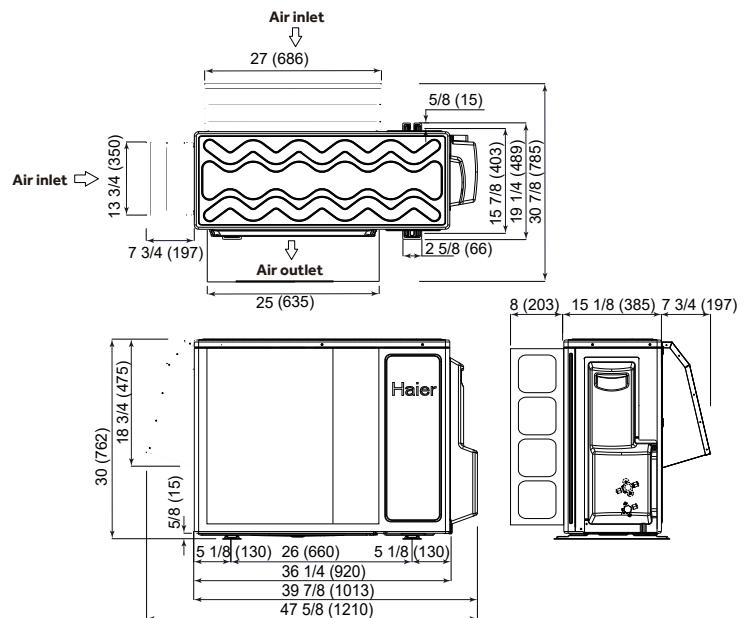
36,000 BTU Wall Mount Single-Zone -40°F Low-Ambient Cooling System

1U3036TL2HFA / AW36TL2HFA

Indoor Unit	
Uncrated Dimension (HxWxD)	14 3/8 × 51 3/4 × 10 7/8 in (365×1316×275 mm)
Crated (HxWxD)	18 7/8 × 55 7/8 × 15 7/8 in (478×1418×402 mm)
Airflow CFM (Turbo/High/Med/Low/Quiet)	920/875/700/520/440
Indoor Sound Level dB (Turbo/High/Med/Low/Quiet)	56/54/50/44/40
Motor Rating (HP)	0.07
Heat Exchanger Fin Type	Blue Fin
Weight (Ship/Net)	56.2/46.3 lbs



Outdoor Unit	
Compressor	DC inverter Driven Rotary
Uncrated Dimension (HxWxD)	30 × 36 1/4 × 15 1/8 in (762×920×385 mm)
Crated (HxWxD)	34 1/8 × 42 3/4 × 19 1/8 in (868×1085×485 mm)
Outdoor Sound Rating dB	62
Heat Exchanger Fin Type	Blue Fin
Weight (Ship/Net)	165/145 lbs
Factory Refrigerant Charge	R-410A (84.7 oz)



Haier Tempo Submittal

36,000 BTU Wall Mount Single-Zone -40°F Low-Ambient Cooling System

1U3036TL2HFA / AW36TL2HFA

Cooling Capacity Data

IDU 60°F	No Wind Baffles			Front Wind Baffle Only			Front, Side, and Back Wind Baffles			
	Outdoor Air Temp DB	Maximum Capacity (Btu/h)	Power Usage (w)	EER	Maximum Capacity (Btu/h)	Power Usage (w)	EER	Maximum Capacity (Btu/h)	Power Usage (w)	EER
-40°F (-40°C)								29,700	1,403	21.17
-22°F (-30°C)								29,800	1,491	19.98
-15°F (-26°C)								29,958	1,560	19.21
-4°F (-20°C)				29,700	1,554	19.12		29,975	1,621	18.49
5°F (-15°C)				29,777	1,662	17.92		30,092	1,727	17.43
14°F (-10°C)				29,832	1,770	16.86		30,120	1,865	16.15
23°F (-5°C)	23,760	1,883	12.62	29,857	1,942	15.38		29,877	2,003	14.91
32°F (0°C)	26,064	2,040	12.78	29,959	2,113	14.18		29,746	2,162	13.76
50°F (10°C)	28,488	2,194	12.99	29,696	2,264	13.12		29,575	2,351	12.58
60°F (15°C)	29,835	2,366	12.61	29,620	2,420	12.24		29,449	2,485	11.85
70°F (21°C)	30,191	2,605	11.59	29,904	2,672	11.19		29,954	2,730	10.97
80°F (27°C)	30,318	2,945	10.30	30,141	2,595	11.62		30,031	2,647	11.35
95°F (35°C)	29,700	3,120	9.52	29,596	3,147	9.40		29,246	3,174	9.22
105°F (41°C)	29,408	3,184	9.24	29,293	3,200	9.15		29,124	3,209	9.08
115°F (46°C)	27,542	3,233	8.52	27,460	3,244	8.46		27,203	3,250	8.37

IDU 70°F	No Wind Baffles			Front Wind Baffle Only			Front, Side, and Back Wind Baffles			
	Outdoor Air Temp DB	Maximum Capacity (Btu/h)	Power Usage (w)	EER	Maximum Capacity (Btu/h)	Power Usage (w)	EER	Maximum Capacity (Btu/h)	Power Usage (w)	EER
-40°F (-40°C)								31,350	1,579	19.86
-22°F (-30°C)								31,455	1,678	18.75
-15°F (-26°C)								31,622	1,754	18.02
-4°F (-20°C)				31,350	1,748	17.94		31,640	1,823	17.35
5°F (-15°C)				31,432	1,869	16.81		31,764	1,943	16.35
14°F (-10°C)				31,490	1,991	15.82		31,793	2,098	15.15
23°F (-5°C)	25,080	2,119	11.84	31,515	2,184	14.43		31,537	2,254	13.99
32°F (0°C)	27,513	2,295	11.99	31,624	2,377	13.30		31,399	2,432	12.91
50°F (10°C)	30,071	2,468	12.18	31,346	2,547	12.31		31,218	2,645	11.80
60°F (15°C)	31,492	2,662	11.83	31,266	2,723	11.48		31,085	2,795	11.12
70°F (21°C)	31,869	2,930	10.88	31,566	3,006	10.50		31,618	3,072	10.29
80°F (27°C)	32,003	3,313	9.66	31,815	2,919	10.90		31,699	2,977	10.65
95°F (35°C)	31,350	3,510	8.93	31,240	3,541	8.82		30,871	3,570	8.65
105°F (41°C)	31,042	3,582	8.67	30,920	3,600	8.59		30,742	3,610	8.52
115°F (46°C)	29,072	3,637	7.99	28,985	3,650	7.94		28,714	3,656	7.85

IDU 80°F	No Wind Baffles			Front Wind Baffle Only			Front, Side, and Back Wind Baffles			
	Outdoor Air Temp DB	Maximum Capacity (Btu/h)	Power Usage (w)	EER	Maximum Capacity (Btu/h)	Power Usage (w)	EER	Maximum Capacity (Btu/h)	Power Usage (w)	EER
-40°F (-40°C)								33,000	1,754	18.81
-22°F (-30°C)								33,111	1,864	17.76
-15°F (-26°C)								33,286	1,949	17.08
-4°F (-20°C)				33,000	1,942	16.99		33,305	2,026	16.44
5°F (-15°C)				33,086	2,077	15.93		33,436	2,159	15.49
14°F (-10°C)				33,147	2,212	14.99		33,466	2,331	14.36
23°F (-5°C)	26,400	2,354	11.21	33,174	2,427	13.67		33,197	2,504	13.26
32°F (0°C)	28,961	2,550	11.36	33,288	2,641	12.60		33,052	2,702	12.23
50°F (10°C)	31,654	2,742	11.54	32,996	2,830	11.66		32,861	2,939	11.18
60°F (15°C)	33,150	2,958	11.21	32,911	3,025	10.88		32,721	3,106	10.53
70°F (21°C)	33,546	3,256	10.30	33,227	3,340	9.95		33,282	3,413	9.75
80°F (27°C)	33,687	3,681	9.15	33,490	3,244	10.32		33,368	3,308	10.09
95°F (35°C)	33,000	3,900	8.46	32,884	3,934	8.36		32,496	3,967	8.19
105°F (41°C)	32,676	3,980	8.21	32,548	4,000	8.14		32,361	4,011	8.07
115°F (46°C)	30,602	4,041	7.57	30,511	4,055	7.52		30,225	4,062	7.44

Haier Tempo Submittal

36,000 BTU Wall Mount Single-Zone -40°F Low-Ambient Cooling System

1U3036TL2HFA / AW36TL2HFA

Heating Capacity Data

IDU 80°F	No Wind Baffles			Front, Side, and Back Wind Baffles		
Outdoor Air Temp DB	Maximum Capacity (Btu/h)	Power Usage (w)	COP	Maximum Capacity (Btu/h)	Power Usage (w)	COP
-4°F (-20°C)	19,950	3,595	1.63	21,185	3,668	1.69
5°F (-15°C)	20,900	3,665	1.67	21,185	3,705	1.68
14°F (-10°C)	26,440	3,465	2.24	27,310	3,535	2.26
23°F (-5°C)	29,685	3,399	2.56	30,372	3,469	2.57
32°F (0°C)	32,930	3,334	2.89	33,434	3,402	2.88

IDU 70°F	No Wind Baffles			Front, Side, and Back Wind Baffles		
Outdoor Air Temp DB	Maximum Capacity (Btu/h)	Power Usage (w)	COP	Maximum Capacity (Btu/h)	Power Usage (w)	COP
-4°F (-20°C)	21,000	3,620	1.70	22,300	3,693	1.77
5°F (-15°C)	22,000	3,690	1.75	22,300	3,730	1.75
14°F (-10°C)	27,832	3,490	2.34	28,747	3,560	2.37
23°F (-5°C)	31,247	3,424	2.67	31,971	3,494	2.68
32°F (0°C)	34,663	3,359	3.02	35,194	3,427	3.01

IDU 60°F	No Wind Baffles			Front, Side, and Back Wind Baffles		
Outdoor Air Temp DB	Maximum Capacity (Btu/h)	Power Usage (w)	COP	Maximum Capacity (Btu/h)	Power Usage (w)	COP
-4°F (-20°C)	22,050	3,645	1.77	23,415	3,718	1.85
5°F (-15°C)	23,100	3,715	1.82	23,415	3,755	1.83
14°F (-10°C)	29,223	3,515	2.44	30,184	3,585	2.47
23°F (-5°C)	32,810	3,449	2.79	33,569	3,519	2.80
32°F (0°C)	36,396	3,384	3.15	36,954	3,452	3.14