



A CSW Industrials Company

TRUaire 2000PD Series

Single Architectural Plaque T-Bar Lay-In Diffuser

Model: _____ Size: _____

Project Information:

Job Name: _____

Location: _____

Engineer: _____

Submitted to: _____

For: Reference Approval Construction

Submitted by: _____

Reference: _____

Submittal Information:

Approval: _____

Date: _____

Construction: _____

Unit #: _____

Drawing #: _____

Construction Options

2010PD (12" x 12" Module)

2000PD (24" x 24" Module)

Steel

Aluminum (Only available on the 2003CD)

R6 Molded Insulated Back

Butterfly Damper

Radial Damper

2010PD Available Round Neck Diameters (IN):

6 and 8

2000PD Available Round Neck Diameters (IN):

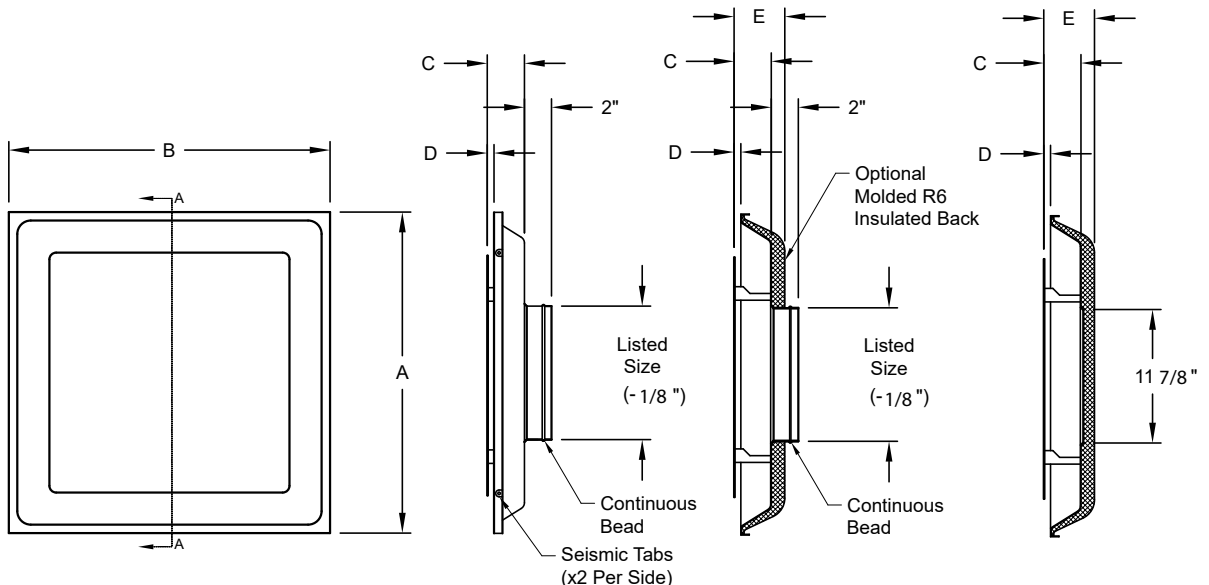
6, 8, 10, 12 and 14

(Sec. I) Features

- Pristine White Powder Coat Finish

Nominal Module Size	Dimensions				
	"A"	"B"	"C"	"D"	"E"
12" x 12"	11 3/4"	11 3/4"	1 1/4"	1/16"	2 1/4"
24" x 24"	23 3/4"	23 3/4"	2 5/8"	3/8"	3 5/8"

(Fig. I) Product Image:



RectorSeal® • 2601 Spenwick Drive • Houston, TX 77055 • 800-231-3345 • rectorseal.com

A CSW Industrials Company. RectorSeal, the logos and other trademarks are property of RectorSeal, LLC, its affiliates or its licensors and are protected by copyright, trademark and other intellectual property laws, and may not be used without permission. RectorSeal reserves the right to change specifications without prior notice. ©2023 RectorSeal. All rights reserved. R50956-0323