



HVAC installation

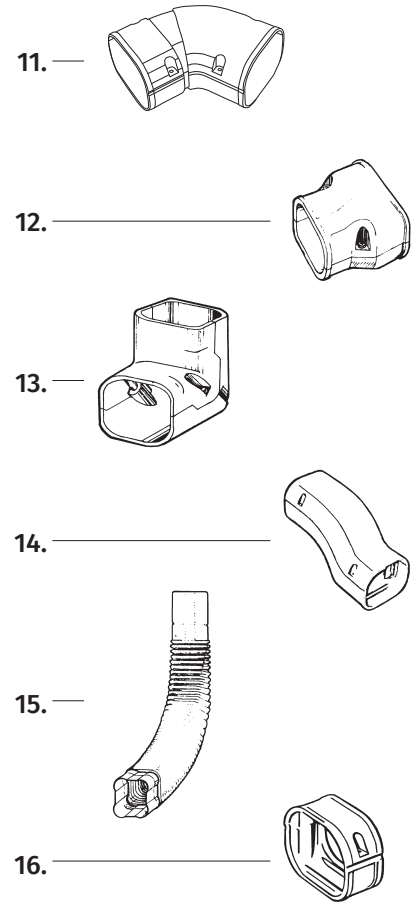
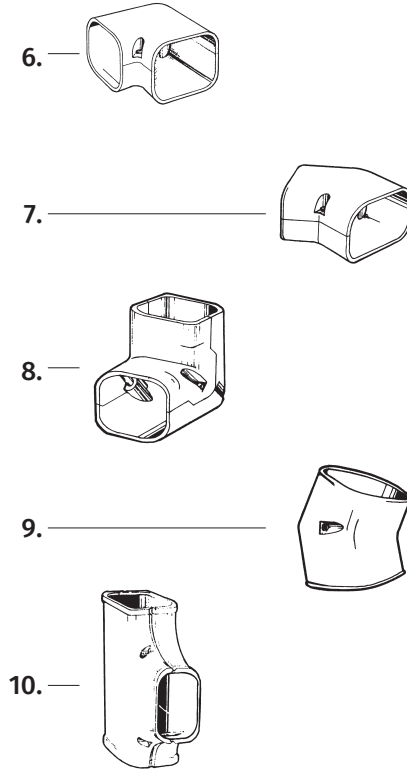
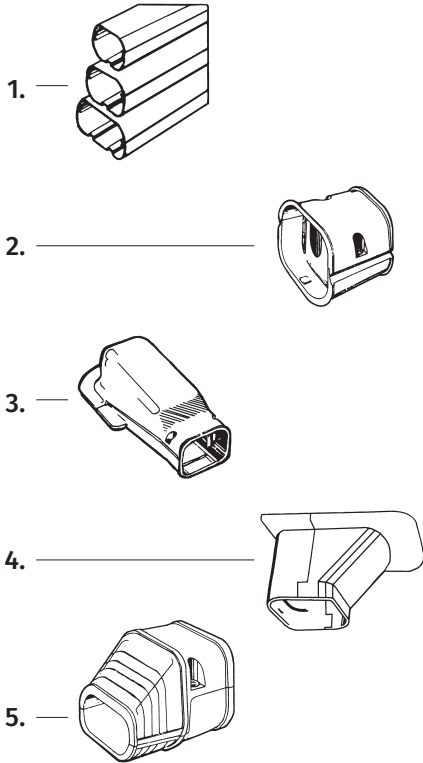
SOLUTIONS



Slimduct[®]
SUBMITTAL

SERIES SD

EXTERIOR



PART #	COLOR			QTY
	Ivory	White	Brown	
1. SD - SLIMDUCT - 78" Length				
SD-77	85024	85004	85064	
SD-100	85124	85104	85164	
SD-140	85224	85204	85264	
2. SJ - COUPLER				
SJ-77	86030	86010	85370	
SJ-100	86130	86110	85470	
SJ-140	86230	86210	85570	
3. SW - WALL INLET				
SW-77	86036	86016	85376	
SW-100	86136	86116	85476	
SW-140	85236	85216	85576	
4. SP - SOFFET INLET				
SP-77	85034	85014	85374	
SP-100	86134	86114	85474	
SP-140	85234	85214	85574	
5. SEN - END FITTING				
SEN-77	86027	86007	85367	
SEN-100	86127	86107	85467	
SEN-140	86227	86207	85567	

PART #	COLOR			QTY
	Ivory	White	Brown	
6. SK - 90° FLAT ELL				
SK-77	86031	86011	85371	
SK-100	86131	86111	85471	
SK-140	85231	85211	85571	
7. SKF - 45° FLAT ELL				
SKF-77	85032	85012	85372	
SKF-100	86132	86112	85472	
SKF-140	85232	85212	85572	
8. SC - 90° VERTICAL ELL				
SC-77	86022	86002	85362	
SC-100	86122	86102	85462	
SC-140	85222	85202	85562	
9. SCF - 45° VERTICAL ELL				
SCF-77	85020	85000	85360	
SCF-100	86120	86100	85460	
SCF-140	85220	85200	85560	
10. ST - TEE				
ST-77	86035	86015	85375	
ST-100	86135	86115	85475	
ST-140	85235	85215	85575	

PART #	COLOR			QTY
	Ivory	White	Brown	
11. SKS - 45° - 90° ADJUSTABLE FLAT ELL				
SKS-77	86012	86032	85072	
12. SDR - REDUCER				
SDR-100-77	85126	85106	85466	
SDR-140-100	86226	86206	85566	
13. SIF - 2" FIXED OFFSET				
SIF-77	86038	86018	85378	
SIF-100	86138	86118	85478	
14. SF - FLEXIBLE ELL				
SF-77-500 (20")	85208	85008	85368	
SF-100-800 (31")	86128	86108	85468	
SF-140-800 (31")	85228	85208	85568	
15. SFJ - FLEXIBLE ADAPTOR				
SFJ-77	85029	85009	85369	
SFJ-100	85129	85109	85469	

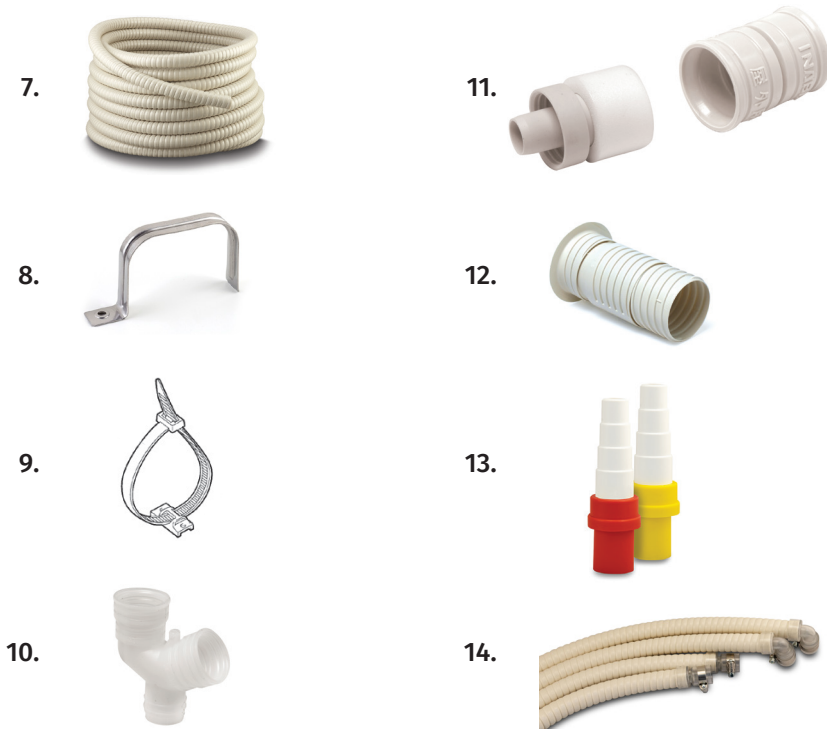
Indicate with an "X" which color you would like.

Condenser Brackets & Risers



PART #	SKU	QTY
1. SLOPE CONDENSER STAND		
WRB-250 (250 LB.)	87745	
2. WALL CONDENSER BRACKET		
WBB-300 (300 LB.)	87733	
WBB-300SS (Stainless)	87734	
WBB-500 (500 LB.)	87735	
PC-K30 (330 LB.)	87732	
3. WINDOW BRACKET		
CBZG (176 LB.)	87731	
4. SLAB CONDENSER STAND		
CNG (176 LB.)	87743	
PCNG63 Galvanized (440 LB.)	87746	
5. DUPLEX CONDENSER STAND		
CWGL (176 LB. Large)	87744	
6. POLYMER 4" RISERS		
PR351N-I (14"L 308 LB.)	87761	
PR351N-M (18"L 397 LB.)	87762	
PR351N-L (39"L 3880 LB.)	87763	
PR351N (END CAP)	87765	
7. DRAIN HOSE		
DH-14 (lite - 164' coil)	83001	
DH-16 (standard - 164' coil)	83002	
DH-16S	83003	
DHQ-16 (outdoor - 164' coil)	83004	
DSB-16	83005	
DSH-14 (insulated - 65' coil)	83011	
DSH-20N (insulated - 65' coil)	83012	
DSH-25N (insulated - 65' coil)	83013	
8. SFS SADDLE FOR FLEXIBLE ELL (STAINLESS STEEL)		
SFS-140	86201	
SFS-100	86101	
SFS-77	86100	
9. SL STRAP KIT FOR LINE SETS		
SL-300	86299	
10. DY VENTED DRAIN WYE		
DY-16	83022	
11. PIPE ADAPTOR/COUPLER		
DSH-14-16V (pipe adaptor)	83020	
DSH-14J (coupler)	83021	
12. WALL SLEEVE		
NFP-75 (3" X 5"-7")	83017	
13. CONDENSATE DRAIN ADAPTOR		
16mm rigid pipe to flexible drain hose 10pk	89712	
18mm rigid pipe to flexible drain hose 10pk	89714	
16mm rigid pipe to flexible drain hose 2pk	89711	
18mm rigid pipe to flexible drain hose 2pk	89713	
14. INSULATED DRAIN UP HOSE KIT		
Elbow to elbow 70cm	84306	
Elbow to elbow 100cm	84307	
Elbow to straight coupler 70cm	84308	
Elbow to straight coupler 100cm	84309	

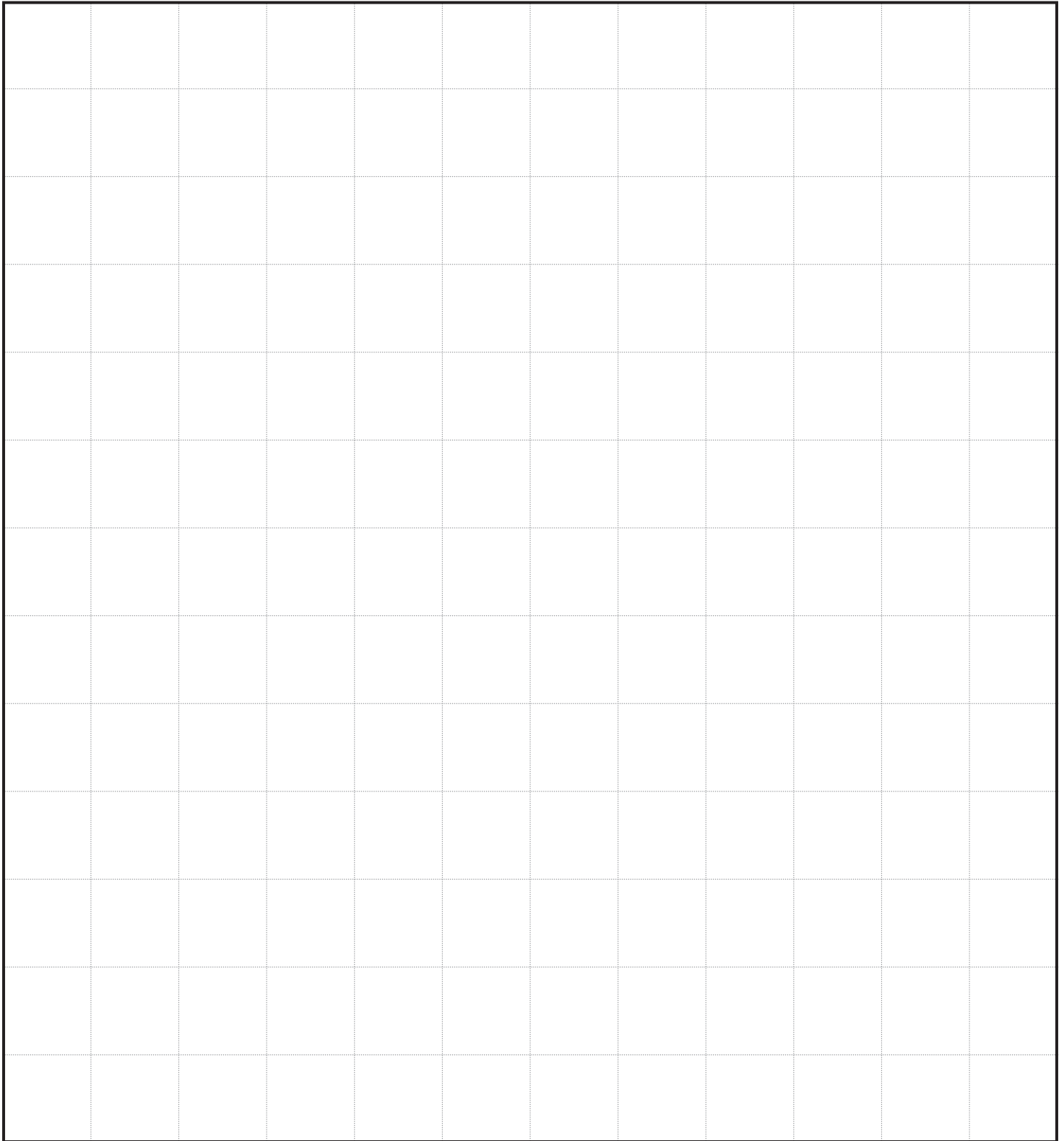
Condensate Hoses & Miscellaneous Accessories



Contractor: _____

Job Name: _____

Date: _____



Scale: _____

Draw your installation above, including dimensions, then select parts required from the list on inside of this booklet. Select size of Slimduct required according to deminsions of linesets, drain hose and wiring, from technical data sheet SD011.

RectorSeal® 2601 Spenwick Drive - Houston, TX 77055 800-231-3345 rectorseal.com

A CSW Industrials Company. RectorSeal, the logos and other trademarks are property of RectorSeal, LLC, its affiliates or its licensor's and are protected by copyright, trademark and other intellectual property laws, and may not be used without permission. RectorSeal reserves the right to change specifications without prior notice. Inaba Denko is a registered trademark of Inaba Denki Sangyo Co. Slimduct is a registered trademark of Inaba Denki Sangyo Co. ©2020 RectorSeal. All rights reserved. R50720-1020