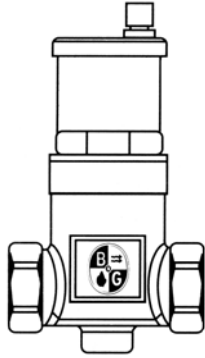


| | | |
|--------------------|------------------------|--------------|
| JOB: | REPRESENTATIVE: | |
| UNIT TAG: | ORDER NO. | DATE: |
| ENGINEER: | SUBMITTED BY: | DATE: |
| CONTRACTOR: | APPROVED BY: | DATE: |



Enhanced Air Separator Model EASB-JR

DESCRIPTION

The Bell & Gossett Model EASB-JR Enhanced Air Separator automatically removes entrained air bubbles in hydronic systems. As fluid enters the EASB-JR, the velocity is slowed down creating a low pressure area. The small bubbles are then released from the fluid and collect on the coalescing medium. As the bubbles coalesce, they will rise on the top of the air separator where they can be released to atmosphere through the built-in automatic air vent. The air separator has a bottom 1/2" NPT connection to accommodate a B&G diaphragm expansion tank. The compact design and brass body construction make the EASB-JR ideal for residential and commercial hydronic and heating systems.

Available Sizes: 3/4", 1", 1-1/4", 1-1/2" & 2" NPT or
 3/4", 1", 1-1/4" Sweat

CONSTRUCTION

Cast Body and Cap: Brass
 Coalescing Medium: Stainless Steel
 Venting Mechanism: Non-Ferrous

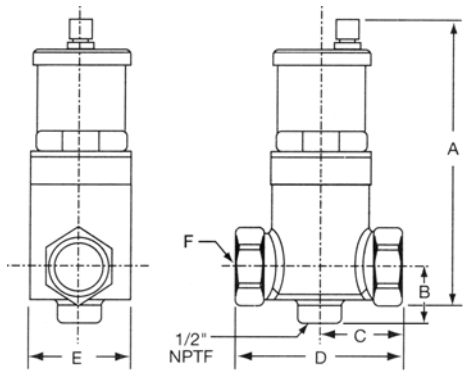
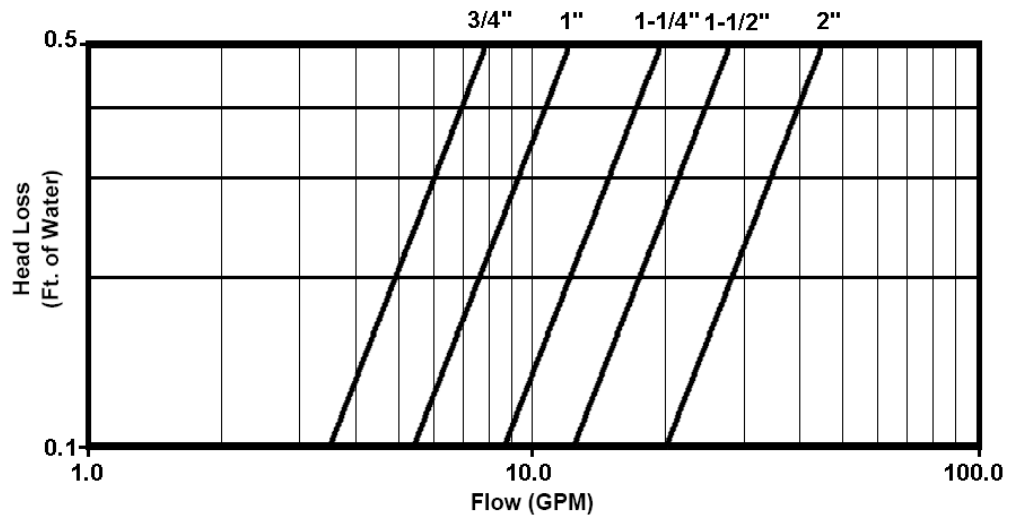
MAXIMUM OPERATING LIMITATIONS

Temperature: 250°F (121°C)
 Working Pressure: 150 psi (10 Bar)

SCHEDULE

| MODEL NUMBER | PART NUMBER | SIZE INCHES | RECOMMENDED MAXIMUM FLOW (GPM) | TAGGING INFORMATION | QUANTITY |
|----------------|-------------|--------------|--------------------------------|---------------------|----------|
| EASB-3/4 JR | 112111 | 3/4" NPT | 6 | | |
| EASB-3/4S JR | 112114 | 3/4" Sweat | 6 | | |
| EASB-1 JR | 112112 | 1" NPT | 12 | | |
| EASB-1S JR | 112115 | 1" Sweat | 12 | | |
| EASB-1-1/4 JR | 112113 | 1-1/4" NPT | 20 | | |
| EASB-1-1/4S JR | 112116 | 1-1/4" Sweat | 20 | | |
| EASB-1-1/2 JR | 112117 | 1-1/2" NPT | 30 | | |
| EASB-2 JR | 112464 | 2" NPT | 45 | | |

PERFORMANCE COVERAGE CHART



DIMENSIONS AND WEIGHTS

| MODEL NUMBER | SIZE INCHES NPT | DIMENSIONS-INCHES (MM) | | | | | | APPROX. SHPG. WT. LBS. (Kg) |
|----------------|-----------------|------------------------|------------|--------------|-------------|------------|--------------|-----------------------------|
| | | A | B | C | D | E | F | |
| EASB-3/4 JR | 3/4" NPT | 6-7/8 (175) | 1-5/8 (41) | 1-13/16 (46) | 3-5/8 (92) | 2-1/4 (57) | 3/4" NPTF | 2-1/2 (1) |
| EASB-3/4S JR | 3/4" Sweat | 6-7/8 (175) | 1-5/8 (41) | 1-13/16 (46) | 3-5/8 (92) | 2-1/4 (57) | 3/4" Sweat | 2-1/2 (1) |
| EASB-1 JR | 1" NPT | 6-7/8 (175) | 1-5/8 (41) | 1-13/16 (46) | 3-5/8 (92) | 2-1/4 (57) | 1" NPTF | 2-1/2 (1) |
| EASB-1S JR | 1" Sweat | 6-7/8 (175) | 1-5/8 (41) | 1-13/16 (46) | 3-5/8 (92) | 2-1/4 (57) | 1" Sweat | 2-1/2 (1) |
| EASB-1-1/4 JR | 1-1/4" NPT | 7-1/2 (191) | 1-7/8 (48) | 2-5/16 (59) | 4-5/8 (117) | 3-1/8 (79) | 1-1/4" NPTF | 4 (1.8) |
| EASB-1-1/4S JR | 1-1/4" Sweat | 7-1/2 (191) | 1-7/8 (48) | 2-5/16 (59) | 4-5/8 (117) | 3-1/8 (79) | 1-1/4" Sweat | 4 (1.8) |
| EASB-1-1/2 JR | 1-1/2" NPT | 7-1/2 (191) | 1-7/8 (48) | 2-5/16 (59) | 4-5/8 (117) | 3-1/8 (79) | 1-1/2" NPTF | 4 (1.8) |
| EASB-2 JR | 2" NPT | 7-1/2 (191) | 2 (51) | 2-1/2 (64) | 5 (128) | 3-1/8 (79) | 2" NPTF | 5 (2.27) |

Dimensions are subject to change. Not to be used for construction purposes unless certified.

TYPICAL SPECIFICATIONS

Furnish and install as shown on plans a brass body, in-line air separator designed to effectively separate and remove free air in hydronic heating/cooling systems. The air separator shall be constructed of brass body with stainless steel coalescing medium designed to function satisfactorily at working pressures up to 150 psi (10 bar) and liquid temperatures up to 250°F (121°C). The air separator shall have an internal coalescing medium design that traps and collect air bubbles to be released to atmosphere through the built-in automatic air vent.

The air separator shall have a 1/2" NPT connection on the bottom to accommodate a precharged _____ (Choose one: Bladder or Diaphragm) expansions tank.

The air separator shall be Xylem Bell & Gossett Model No. EASB- _____ JR Enhanced Air Separator.

Xylem Inc.
8200 N. Austin Avenue
Morton Grove, IL 60053
Phone: (847)966-3700
Fax: (847)965-8379
www.xylem.com/brands/bellgossett

