
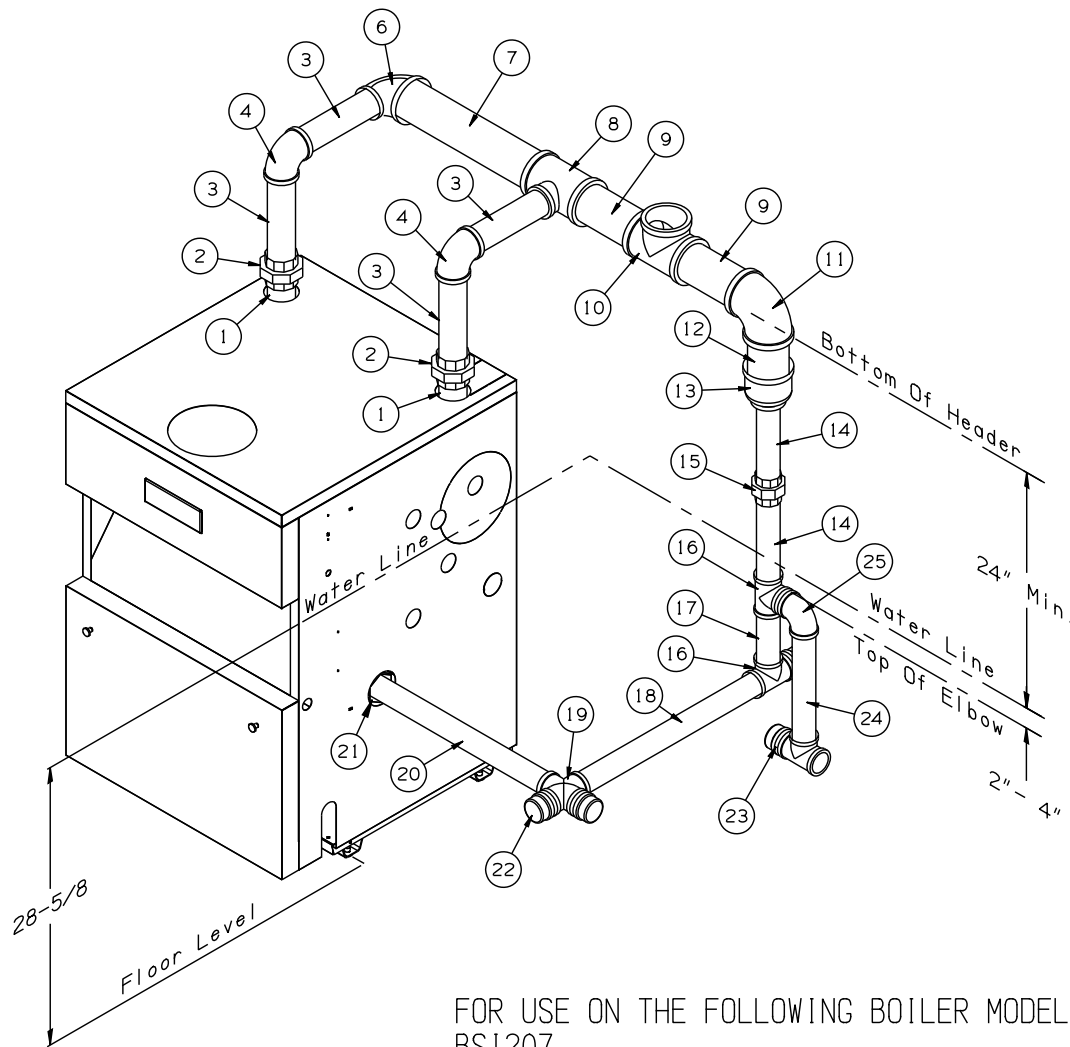


FOR USE ON THE FOLLOWING BOILER MODELS:
 BSI069, BSI103, BSI138, BSI172
 CGSA-57, CGSA-85, CGSA-113, CGSA-142

NOTE: 1. INCLUDE A COPY OF THIS DRAWING IN KIT.
 2. ONE 2" X 8" NIPPLE SHIPS WITH BOILER.

Number	Quantity	Description
1	See Note 2	2" x 8" Pipe Nipple
2	1	2" Union
3	1	2" x 9" Pipe Nipple
4	2	2" - 90° Elbow
5 (069, 57)	1	2" x 10-1/2" Pipe Nipple
5 (103, 85)	1	2" x 14" Pipe Nipple
5 (138, 113)	1	2" x 17" Pipe Nipple
5 (172, 142)	1	2" x 20-1/2" Pipe Nipple
6	1	2" - Tee
7	1	2" x 7" Pipe Nipple
8	1	2" x 5-1/2" Pipe Nipple
9	1	2" x 1-1/2" Reducer
10	2	1-1/2" x 9" Pipe Nipple
11	1	1-1/2" - Union
12	3	1-1/2" - Tee
13	1	1-1/2" x 6" Pipe Nipple
14	1	1-1/2" x 8-1/2" Pipe Nipple
15	1	1-1/2" - Cross
16	1	1-1/2" x 13" Pipe Nipple
17	1	2" x 1-1/2" - Hex Bushing
18	4	1-1/2" - Cap
19	1	1-1/2" - 90° Elbow
20	1	1-1/2" x 12" Pipe Nipple
21	5	1-1/2" x Close Nipple


 SIZE C DRAWN BY JP	D ADDED CGSA INFORMATION		JP 7-25-18
	BSI/CGSA Kit 1 Near Boiler Piping		
CROWN BOILER CO.			
ENG.	MAT'L NA	DATE 6-5-13	SCALE NA
	PART NO. 850095	ENG NO. IND-030	REV D

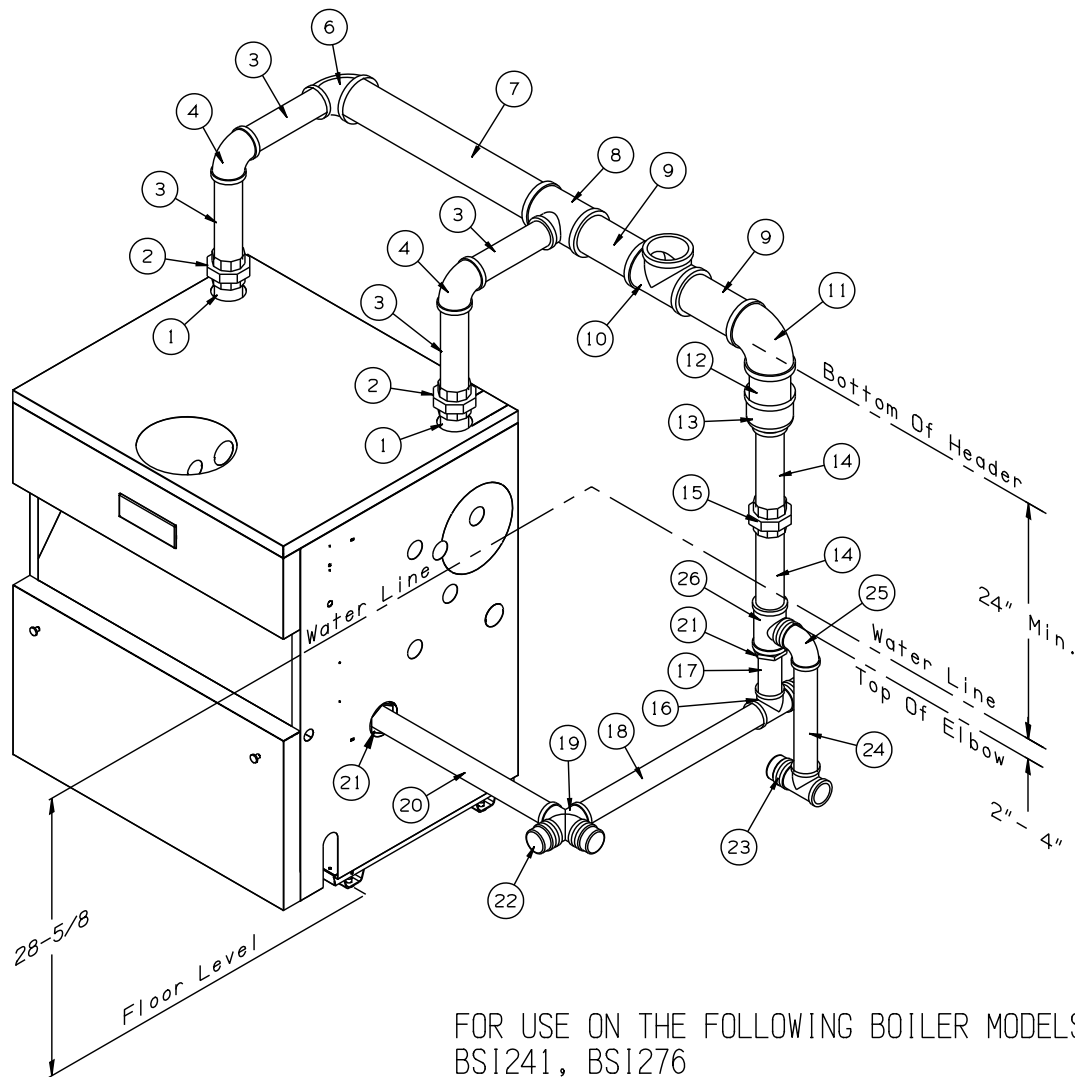


FOR USE ON THE FOLLOWING BOILER MODELS:
 BSI207
 CGSA-171

NOTE: 1. INCLUDE A COPY OF THIS DRAWING IN KIT.
 2. ONE 2" X 8" NIPPLE SHIPS WITH BOILER.

Number	Quantity	Description
1	1	2" x 8" Pipe Nipple (See Note 2)
2	2	2" Union
3	4	2" x 9-1/2" Pipe Nipple
4	2	2" - 90° Elbow
-	-	-
6	1	3" x 2" - Reducing Elbow
7	1	3" x 17" Pipe Nipple
8	1	3" x 3" x 2" Reducing Tee
9	2	3" x 8" Pipe Nipple
10	1	3" x 3" x 3" Tee
11	1	3" - 90° Elbow
12	1	3" x 5" Pipe Nipple
13	1	3" x 1-1/2" Reducing Coupling
14	2	1-1/2" x 9" Pipe Nipple
15	1	1-1/2" - Union
16	3	1-1/2" Tee
17	1	1-1/2" x 6" Pipe Nipple
18	1	1-1/2" x 21-1/2" Pipe Nipple
19	1	1-1/2" Cross
20	1	1-1/2" x 21" Pipe Nipple
21	1	2" x 1-1/2" Hex Bushing
22	4	1-1/2" Cap
23	5	1-1/2" Close Nipple
24	1	1-1/2" x 12" Pipe Nipple
25	1	1-1/2" 90° Elbow


 SIZE C DRAWN BY JP ENG.	D ADDED CGSA INFORMATION		JP 7-25-18
	BSI/CGSA Kit 2 Near Boiler Piping		
CROWN BOILER CO.			
	MAT'L NA	DATE 6-5-13	SCALE NA
		PART NO. 850096	ENG NO. IND-031 REV D

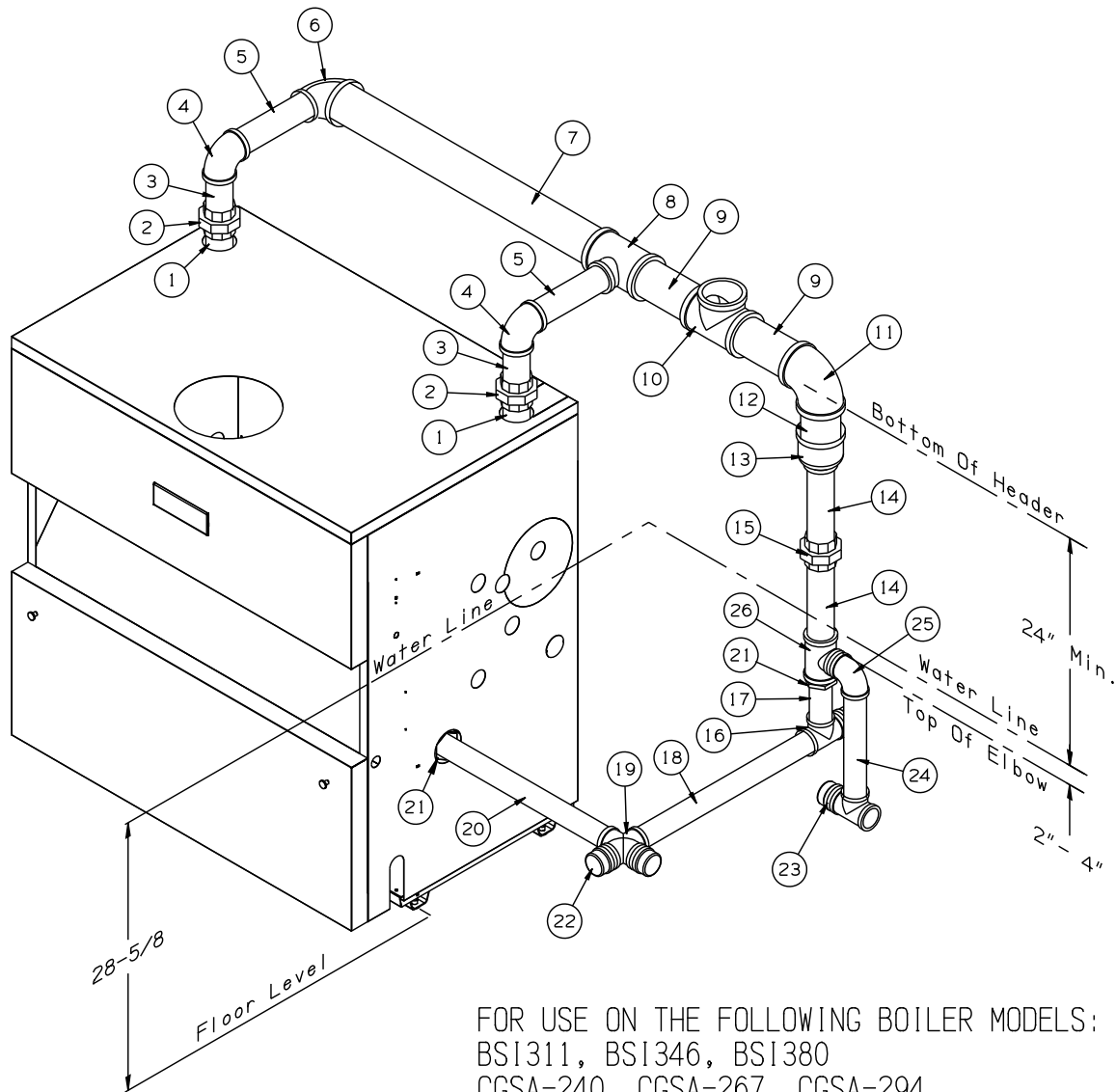


FOR USE ON THE FOLLOWING BOILER MODELS:
 BSI241, BSI276
 CGSA-199, CGSA-229

NOTE: 1. INCLUDE A COPY OF THIS DRAWING IN KIT.
 2. ONE 2" X 8" NIPPLE SHIPS WITH BOILER.

Number	Quantity	Description
1	1	2" x 8" Pipe Nipple (See Note 2)
2	2	2" Union
3	4	2" x 9-1/2" Pipe Nipple
4	2	2" - 90° Elbow
-	-	-
6	1	3" x 2" - Reducing Elbow
7 (241, 199)	1	3" x 20" Pipe Nipple
7 (276, 229)	1	3" x 23-1/2" Pipe Nipple
8	1	3" x 3" x 2" Reducing Tee
9	2	3" x 8" Pipe Nipple
10	1	3" x 3" x 3" Tee
11	1	3" - 90° Elbow
12	1	3" x 4-1/2" Pipe Nipple
13	1	3" x 2" Reducing Coupling
14	2	2" x 9" Pipe Nipple
15	1	2" - Union
16	2	1-1/2" Tee
17	1	1-1/2" x 5" Pipe Nipple
18	1	1-1/2" x 21-1/2" Pipe Nipple
19	1	1-1/2" Cross
20	1	1-1/2" x 21" Pipe Nipple
21	2	2" x 1-1/2" Hex Bushing
22	4	1-1/2" Cap
23	5	1-1/2" Close Nipple
24	1	1-1/2" x 12" Pipe Nipple
25	1	1-1/2" 90° Elbow
26	1	2" x 2" x 1-1/2" Reducing Tee


	D ADDED CGSA INFORMATION		JP 7-25-18
	BSI/CGSA Kit 3 Near Boiler Piping		
SIZE C	CROWN BOILER CO.		
DRAWN BY JP			
ENG.	MAT'L NA	DATE 6-5-13	SCALE NA
		PART NO. 850097	ENG NO. IND-032 REV D

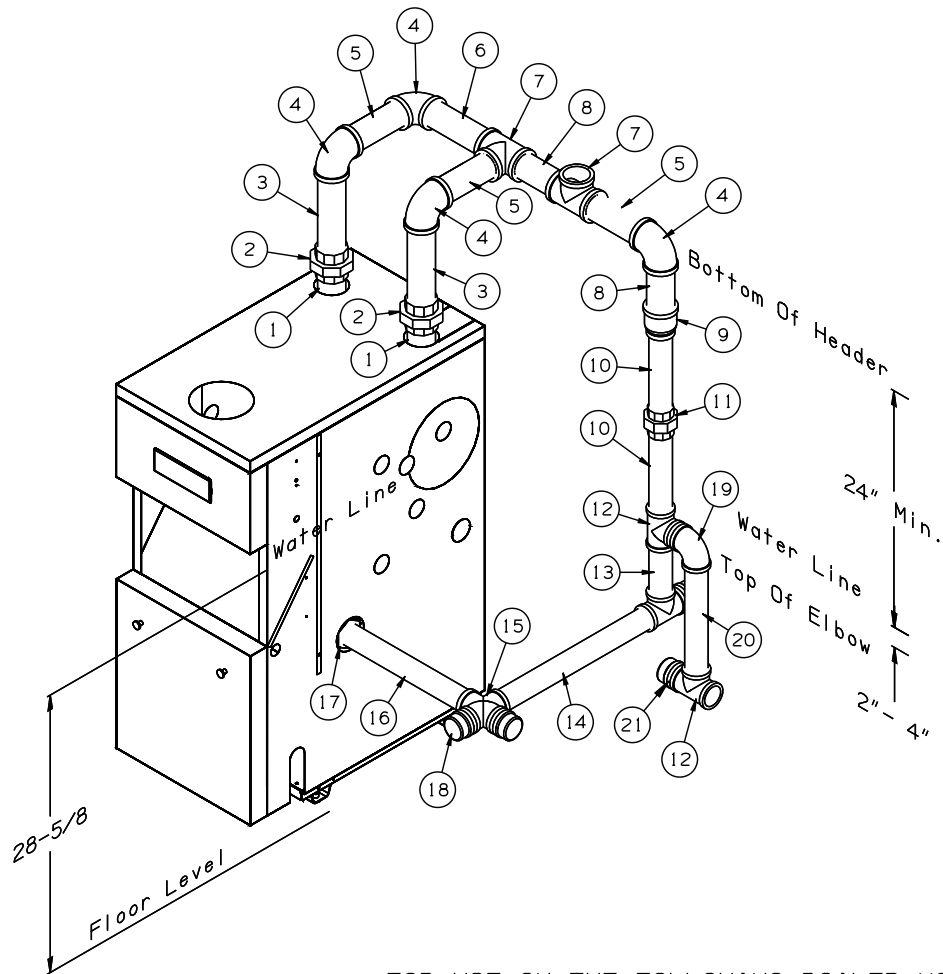


FOR USE ON THE FOLLOWING BOILER MODELS:
 BSI311, BSI346, BSI380
 CGSA-240, CGSA-267, CGSA-294

NOTE: 1. INCLUDE A COPY OF THIS DRAWING IN KIT.
 2. TWO 2" X 13" NIPPLES SHIP WITH BOILER.

Number	Quantity	Description
1	See Note 2	2" x 13" Pipe Nipple
2	2	2" Union
3	2	2" x 4-1/2" Pipe Nipple
4	2	2" - 90° Elbow
5	2	2" X 9-1/2" Pipe Nipple
6	1	3" x 2" - Reducing Elbow
7 (311, 240)	1	3" x 26-1/2" Pipe Nipple
7 (346, 267)	1	3" x 30" Pipe Nipple
7 (380, 294)	1	3" x 33" Pipe Nipple
8	1	3" x 3" x 2" Reducing Tee
9	2	3" x 8" Pipe Nipple
10	1	3" x 3" x 3" Tee
11	1	3" - 90° Elbow
12	1	3" x 4-1/2" Pipe Nipple
13	1	3" x 2" Reducing Coupling
14	2	2" x 9" Pipe Nipple
15	1	2" - Union
16	2	1-1/2" Tee
17	1	1-1/2" x 5" Pipe Nipple
18	1	1-1/2" x 21-1/2" Pipe Nipple
19	1	1-1/2" Cross
20	1	1-1/2" x 21" Pipe Nipple
21	2	2" x 1-1/2" Hex Bushing
22	4	1-1/2" Cap
23	5	1-1/2" Close Nipple
24	1	1-1/2" x 12" Pipe Nipple
25	1	1-1/2" 90° Elbow
26	1	2" x 2" x 1-1/2" Reducing Tee


	D ADDED CGSA INFORMATION		JP 7-25-18
	BSI/CGSA Kit 4 Near Boiler Piping		
SIZE C	CROWN BOILER CO.		
DRAWN BY JP			
ENG.	MAT'L NA	DATE 6-5-13	SCALE NA
		PART NO. 850098	ENG NO. IND-033
			REV D



FOR USE ON THE FOLLOWING BOILER MODELS:
 BSI103, BSI138, BSI172
 CGSA-85, CGSA-113, CGSA-142

NOTE: 1. INCLUDE A COPY OF THIS DRAWING IN KIT.
 2. ONE 2" X 8" NIPPLE SHIPS WITH BOILER.

Number	Quantity	Description
1	1	2" x 8" Pipe Nipple (See Note 2)
2	2	2" Union
3	2	2" x 9" Pipe Nipple
4	4	2" - 90° Elbow
5	3	2" x 7" Pipe Nipple
6 (103, 85)	1	2" x 7-3/4" Pipe Nipple
6 (138, 113)	1	2" x 11-1/4" Pipe Nipple
6 (172, 142)	1	2" x 14-3/4" Pipe Nipple
7	2	2" - Tee
8	2	2" x 5-1/2" Pipe Nipple
9	1	2" x 1-1/2" Reducer
10	2	1-1/2" x 9" Pipe Nipple
11	1	1-1/2" - Union
12	3	1-1/2" - Tee
13	1	1-1/2" x 6" Pipe Nipple
14	1	1-1/2" x 18-1/2" Pipe Nipple
15	1	1-1/2" - Cross
16	1	1-1/2" x 15-1/2" Pipe Nipple
17	1	2" x 1-1/2" - Hex Bushing
18	4	1-1/2" - Cap
19	1	1-1/2" - Elbow
20	1	1-1/2" x 12" Pipe Nipple
21	5	1-1/2" x Close Nipple

	B ADDED CGSA INFORMATION		JP 7-25-18
	BSI/CGSA Kit 5 Near Boiler Piping (2 Risers)		
SIZE C DRAWN BY JP	CROWN BOILER CO.		
ENG.	MAT'L NA	DATE 11-19-14	SCALE NA
		PART NO. 850099	DWG NO. IND-034 REV B